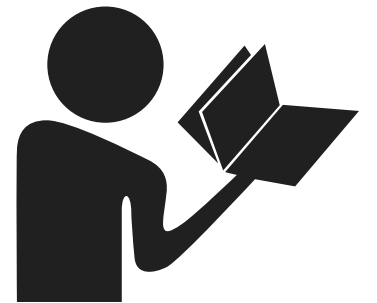
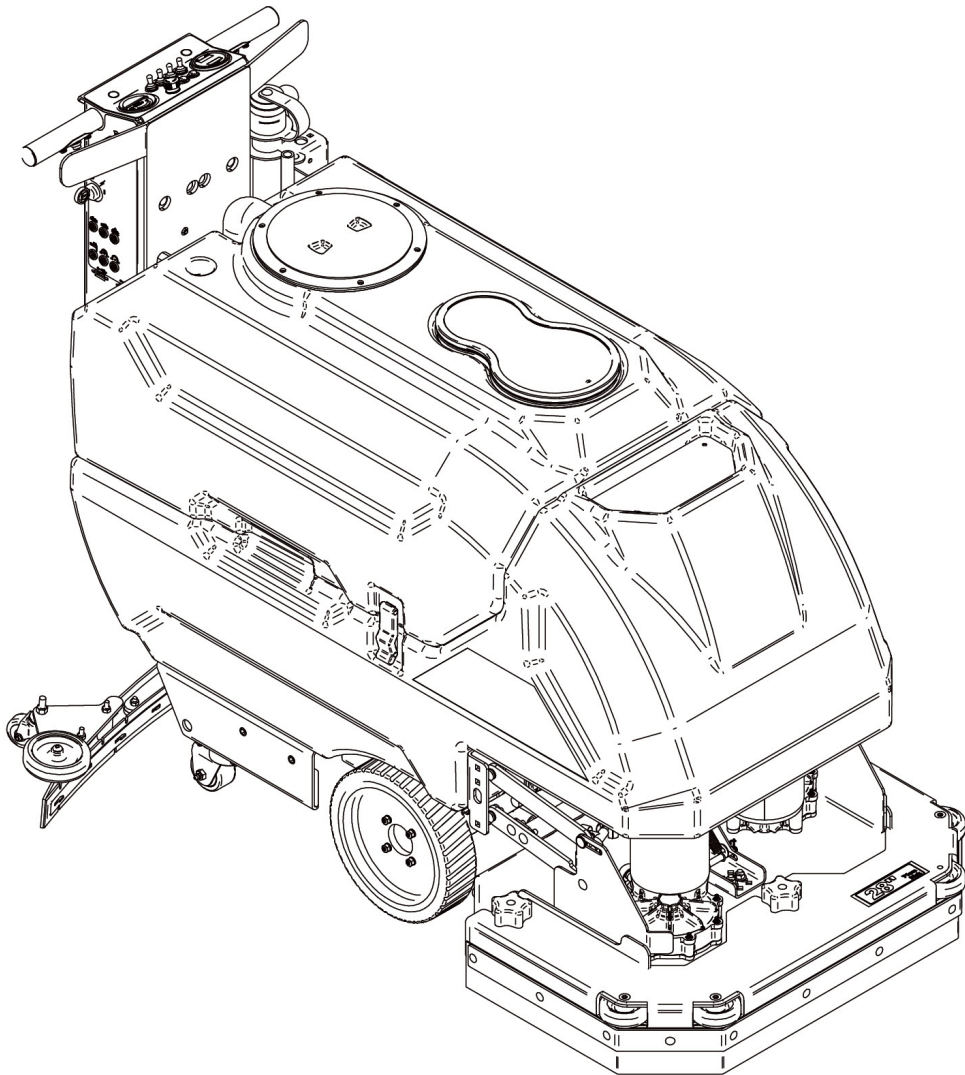




## Operator Manual (EN)

### Models:

28" & 32" Disk  
26" & 30" Cylindrical  
24" & 28" Orbital



Read the Operators Manual  
before using the machine.



Read the Safety Messages  
before servicing machine.

# INTRODUCTION

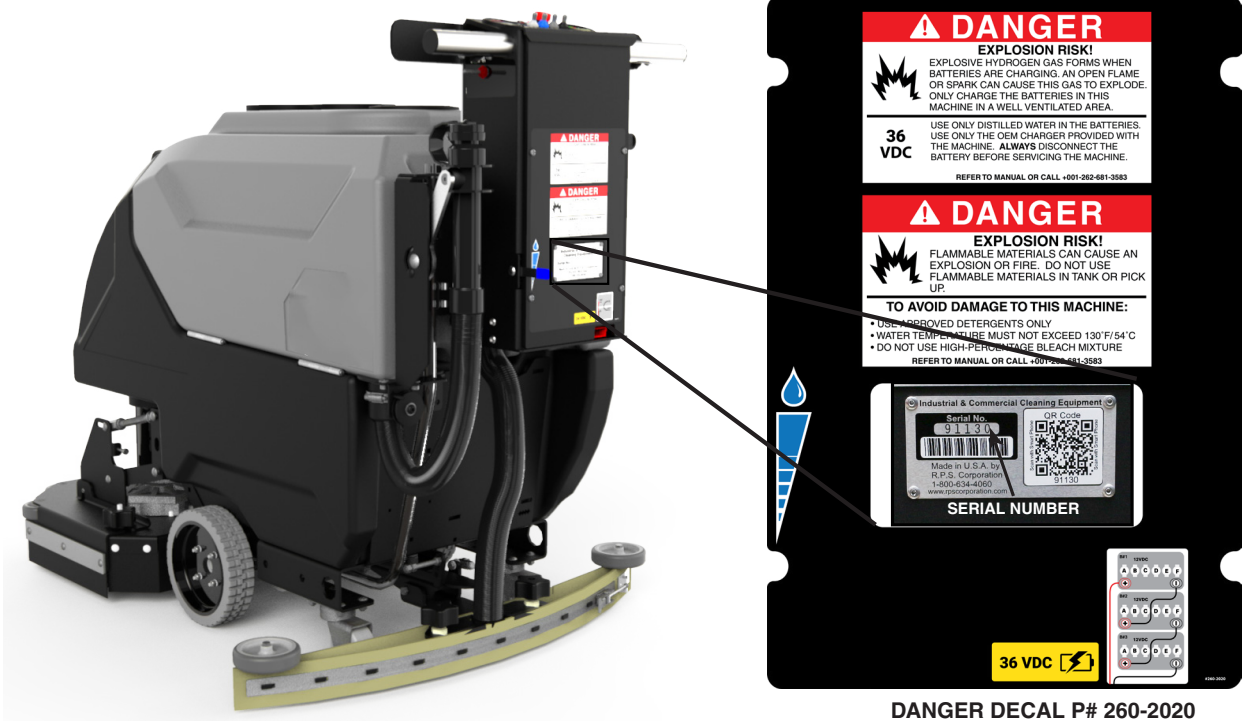
This manual is furnished with each new machine. This manual will allow the Operator to get the best performance out of your RPS manufactured Scrubber-Drier, Sweeper, Burnisher, or Orbital Scrubber. Read this manual thoroughly before operating or servicing the machine.

This machine will provide excellent performance, but the best results will be obtained at the most minimum costs if:

- The machine is regularly maintained - per the Authorized Local Distributor.
- The machine is operated with reasonable care and caution.
- The machine is maintained with manufacturer supplied parts.

## Locate Serial Number

The serial number of your machine is located on the lower half of the control panel of the machine.



AS OUR POLICY IS ONE OF CONSTANT IMPROVEMENT - ALL INFORMATION AND SPECIFICATIONS ARE SUBJECT TO CHANGE WITHOUT NOTICE.

## Intended use

The Timberline L-Series walk-behind scrubber is intended for commercial applications with hard floor surfaces such as concrete, VCT, tile and grout, stone, ect. This machine is not designed to clean carpets or sand wooden surfaces. Use only OEM pads/brushes and commercially available floor cleaning detergents. Do not use this machine other than described in this Operator Manual.

## Machine Data

Fill out while installing machine for future reference.

Model No. - \_\_\_\_\_

Serial No. - \_\_\_\_\_

Installation Date - \_\_\_\_\_

## Uncrating Machine

Inspect machine for damage before unloading, if any damage has occurred report it to the carrier. Contact distributor or RPS Corp. for missing components.

Remove protective shipping frame then locate and unscrew the metal bracket connecting the machine to the pallet. Before removal the scrub head should be in the raised position. Using the supplied ramp carefully back the machine off the pallet.





**INTRODUCTION**

Locate Serial Number . . . . . 2  
Intended use . . . . . 2  
Machine Data . . . . . 2  
Uncrating Machine . . . . . 2

**SAFETY**

Important Safety Messages . . . . . 4  
Safety Labels . . . . . 5

**OPERATION**

Machine Overview . . . . . 6  
Central Command Overview . . . . . 7  
Squeegee Installation . . . . . 8  
Squeegee Adjustment . . . . . 9  
Battery Setup . . . . . 10  
Battery Charger Use . . . . . 11  
Forward Drive . . . . . 12  
Reverse Drive . . . . . 13  
Fill Solution Tank . . . . . 14  
Scrubbing . . . . . 15  
Drying . . . . . 16  
Drain Recovery Tank . . . . . 17  
Flushing Recovery Tank . . . . . 18

**OPTIONS**

Vac Wand . . . . . 19  
Onboard Charger . . . . . 20  
Brush Pressure +/- . . . . . 21  
Vac Clog Light . . . . . 22

**DAILY MAINTENANCE**

Clean Cylindrical Hopper . . . . . 23  
Charge Batteries . . . . . 24

**WEEKLY MAINTENANCE (<25 HRS)**

Clean White Filter/Screen . . . . . 25  
Rotate Disk Brushes . . . . . 26  
Rotate Cylindrical Brush . . . . . 27  
Replace Orbital Pads . . . . . 28  
Clean Solution Filter . . . . . 29  
Squeegee Blade Replacement . . . . . 30  
Drain Solution Tank . . . . . 31

**MONTHLY MAINTENANCE (<100 HRS)**

Deck Shroud Curtain Replacement . . . 32  
Cylindrical Side Wiper Replacement . . 33  
Deck Leveling . . . . . 34




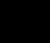
**OTHER**

Common Wear Parts . . . . . 35  
Squeegee Blade Kits . . . . . 37  
PM Sheet . . . . . 38  
Battery Chargers . . . . . 40  
Schematics . . . . . 41  
Schematics Adjusted Down Pressure . . 42  
Decals . . . . . 43

# SAFETY

## Important Safety Messages

You will see four kinds of safety reminders in this manual:

<p style="text-align: center;"> <b>DANGER</b></p> <p>DANGER indicates a hazardous situation which, if not avoided, will result in death or serious injury.</p>	<p style="text-align: center;"> <b>WARNING</b></p> <p>WARNING indicates a potentially hazardous situation which, if not avoided, could result in death or serious injury.</p>
<p style="text-align: center;"> <b>CAUTION</b></p> <p>CAUTION indicates a potentially hazardous situation which, if not avoided, could result in minor or moderate injury or damage to this machine or nearby objects. CAUTION also can be used to alert against unsafe practices.</p>	<p style="text-align: center;"> <b>NOTICE</b></p> <p>NOTICE indicates information considered important, but not hazard-related. This safety message may be related to property damage or warranty warnings.</p>

Your safety, and that of others, is very important. Operating this machine safely is an important responsibility.

### DO NOT OPERATE THIS MACHINE:

- Unless you are trained and authorized to do so by your RPS Authorized Local Distributor
- Unless you have read and understood this Operator's Manual
- On surfaces with greater than a 3° grade.
- Within 25' (8m) of Loading Docks

### WHEN OPERATING THIS MACHINE:



- Remove loose objects from the floor that could be projected from the rotating Brushes
- Keep your hands and feet away from the rotating Brushes
- Do not operate this machine where flammable liquids, vapors, or dust are present
- Use caution when maneuvering

### BEFORE LEAVING THE MACHINE:

- Drain "clean" Solution & "dirty" Recovery solution into APPROVED drains
- Park the machine on a level surface
- Turn the machine off & remove key

### BEFORE SERVICING THE MACHINE:

- Disconnect the Batteries

<p style="text-align: center;"> <b>DANGER</b></p> <p>Explosive hydrogen gas forms when Batteries are charging. An open flame or spark can cause this gas to explode. Serious personal injury or property damage could occur. Only charge the Batteries in this machine in a well ventilated area.</p>	<p style="text-align: center;"> <b>DANGER</b></p> <p>Flammable materials can cause an explosion or fire. Do not use flammable materials in Tank or pick up.</p>
--	--

**! WARNING**

The Batteries in this machine produce hazardous voltage which can cause electrical shock, burns and/or electrocution. Always disconnect Batteries before servicing this machine.

**! WARNING**

When climbing or descending ramps, always drive machine forward. To avoid overturning the machine, Do not back down ramps. Do not drive across inclines. Do not turn while ascending or descending ramps. Overturning the machine can cause serious injury or death.

**! WARNING**

Do not use water that exceeds 135°F / 57°C. If water is above said temperature, this will void the Tank Warranty.

**! WARNING**

Do not park this machine on ramps or slopes. Always park this machine on a level, hard surface. Do not operate this machine outdoors or on uneven surfaces.

**! WARNING**

The Batteries in this machine contain sulfuric acid, which causes burns to skin. If battery acid contacts clothing or skin, rinse the effected area with cold water immediately. If battery acid gets on your face or in your eyes, flush the area immediately with cold water and seek medical attention.

**! WARNING**

To avoid electrical shock, do not operate this machine over electrical floor outlets.

**! CAUTION**

To avoid damage to this machine, use only cleaning solutions and replacement parts recommended by the manufacturer.

**! CAUTION**

Do not operate this machine if any parts have been damaged or removed.

**! WARNING**

Dress safely. Do not wear rings or metal wrist watches when servicing this machine, as they can cause an electrical short circuit which can cause serious burns.

**! WARNING**

Do not remove, paint over or destroy warning decals. If warning decals become damaged, call 1-262-681-3583 for free replacements.

**! WARNING**

Dress safely. Do not wear a neck tie, scarf, or any loose or dangling clothing while operating this machine. Loose or dangling clothing or neck-wear can tangle in rotating parts, causing serious injury or death.

**! WARNING**

Always turn off this machine before leaving it unattended. Do not allow untrained persons to operate this machine.

**! WARNING**

NO RIDERS. Do not carry passengers on this machine. Do not use this machine as a stepladder or work platform.

**! WARNING**

Understand the dynamic braking system before you operate the machine on ramps. Machine may coast.

**! WARNING**

Before you service a Battery, always wear face protection, protective gloves and protective clothing. Battery acid or battery explosion can cause serious injuries.

**! CAUTION**

Always use the automatic battery charger provided by the manufacturer of this machine to charge the Batteries of this machine. It is designed to charge the Batteries at the appropriate rate. If you must use a different charger, disconnect the Batteries before charging to avoid damage to the electronic speed controller.

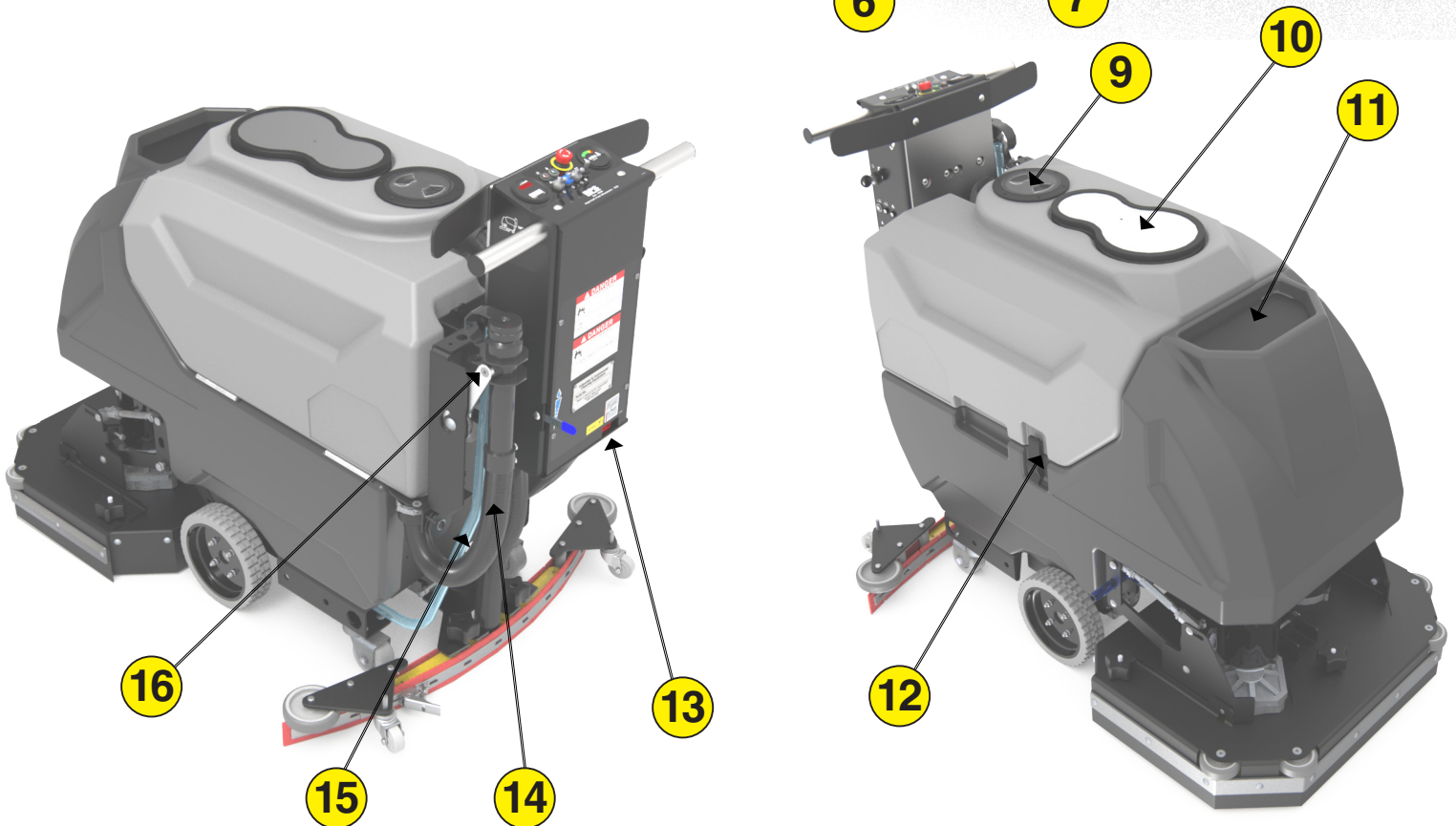
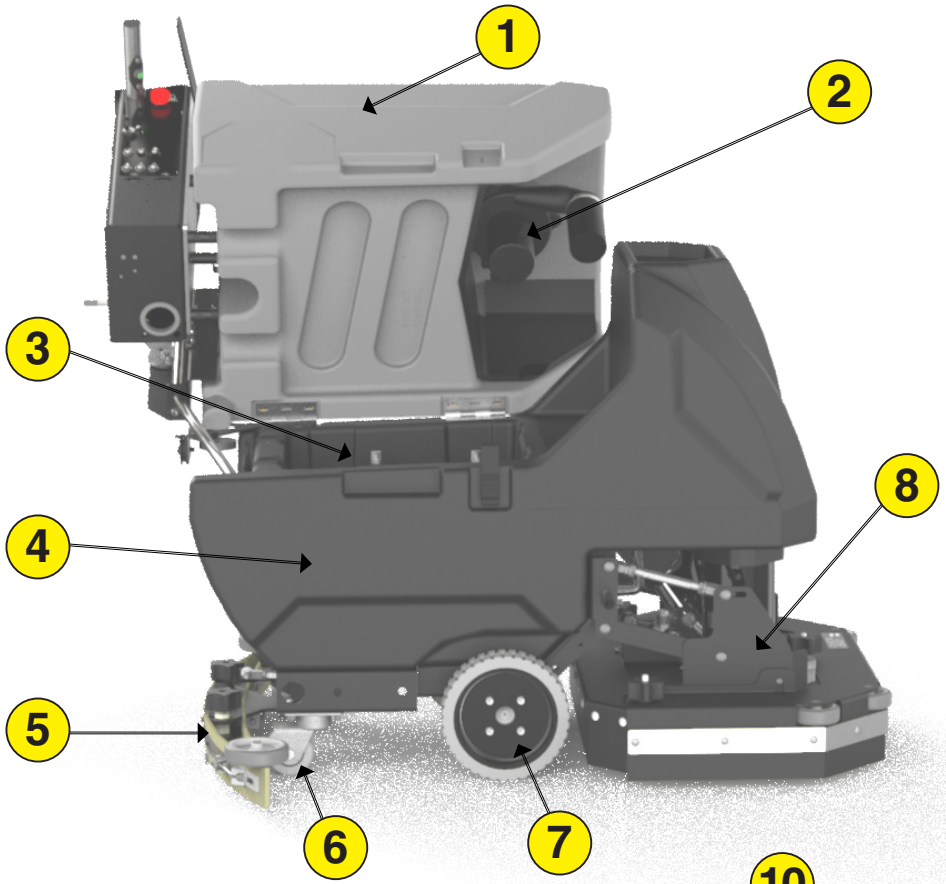
**! CAUTION**

To avoid damage to the electronic control components of this machine, Do not store this machine outdoors. Do not pressure wash this machine.

# OPERATION

## Machine Overview

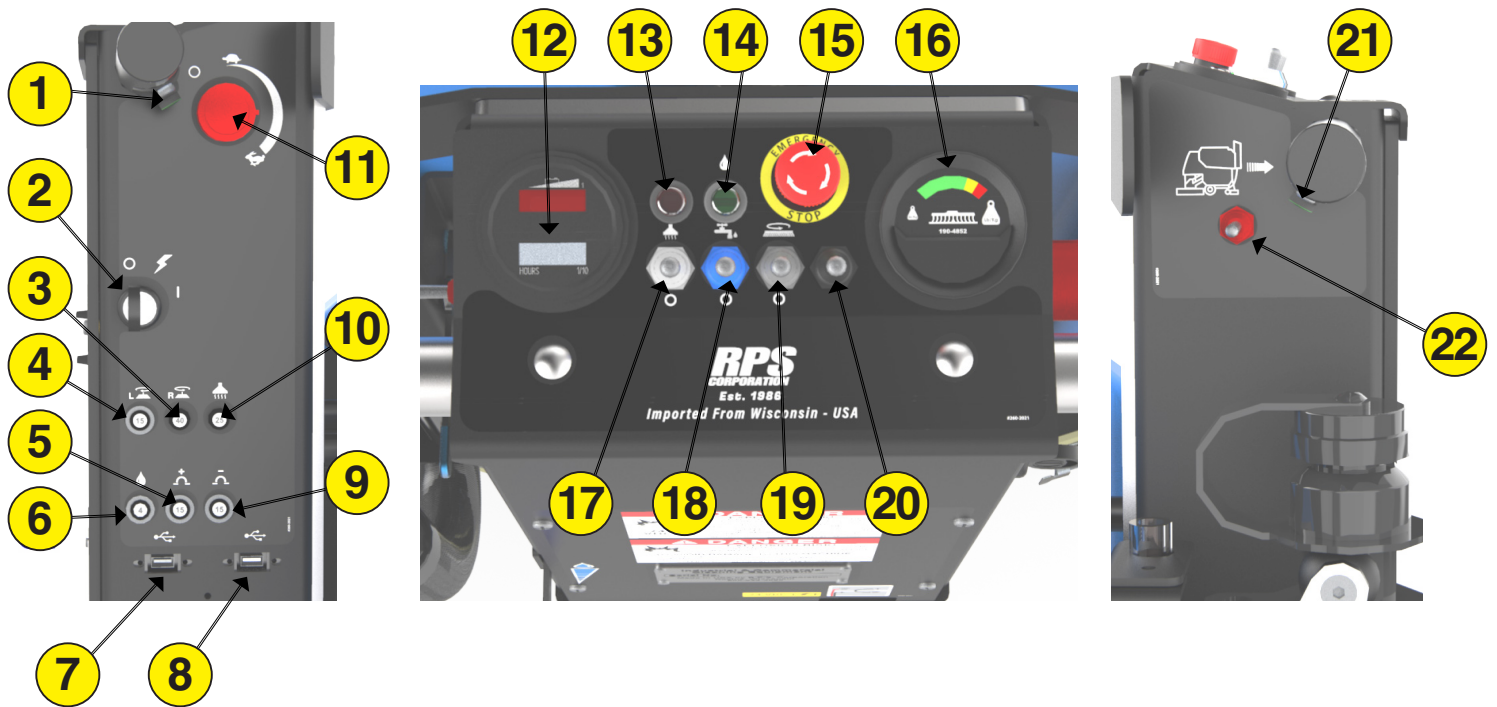
1. Recovery Tank
2. Vac Motor
3. 3x 12VDC Batteries
4. Solution Tank
5. Squeegee
6. Rear Caster Wheel
7. Tire
8. Scrub Deck
9. Recovery Tank Clean Out
10. Foam Float Ball & White Filter
11. Solution Fill
12. Tank Latch
13. Charging Port
14. Recovery Drain Hose
15. Solution Sight Tube & Drain Hose
16. Squeegee Lever





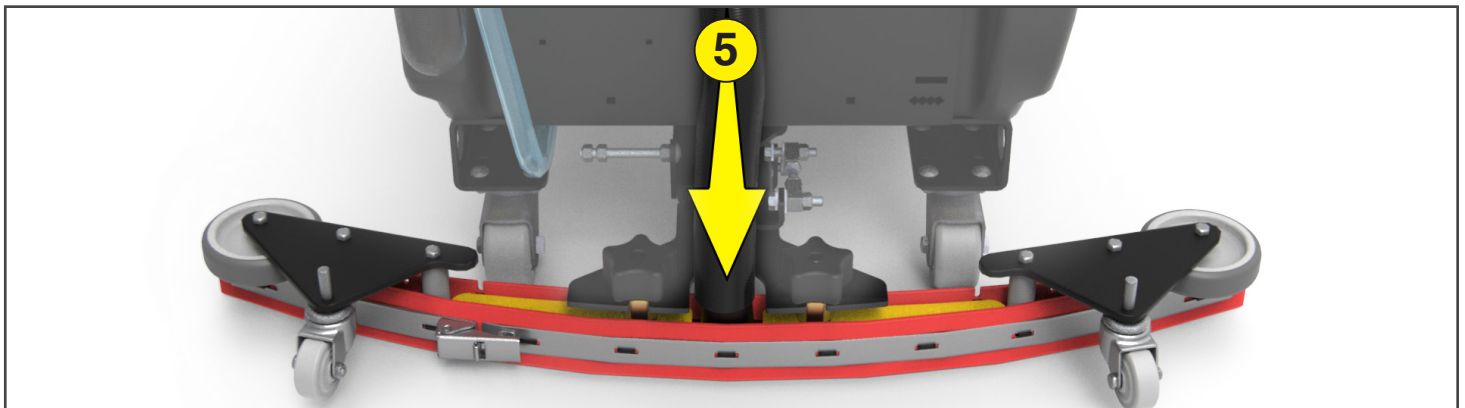
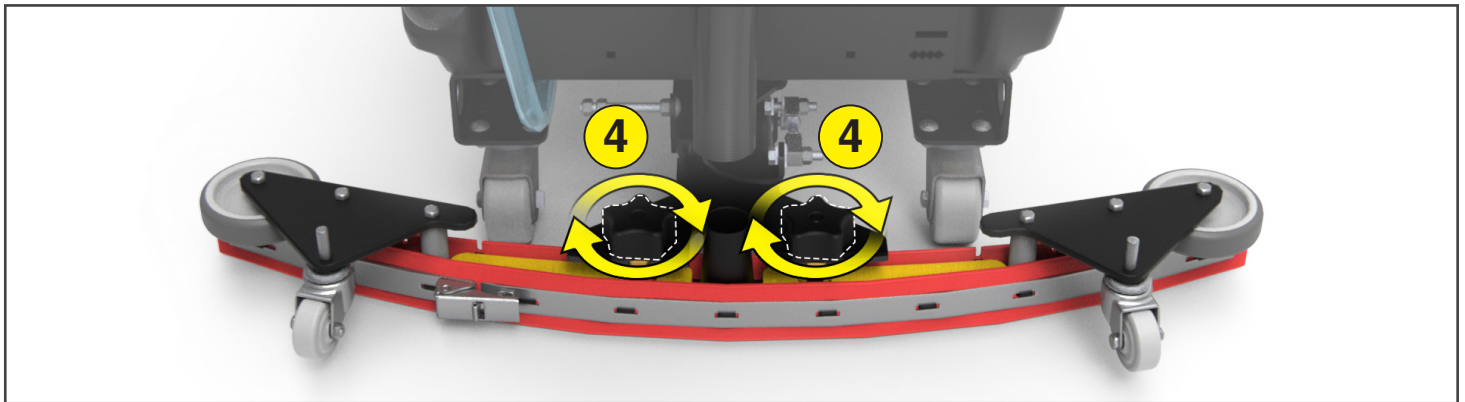
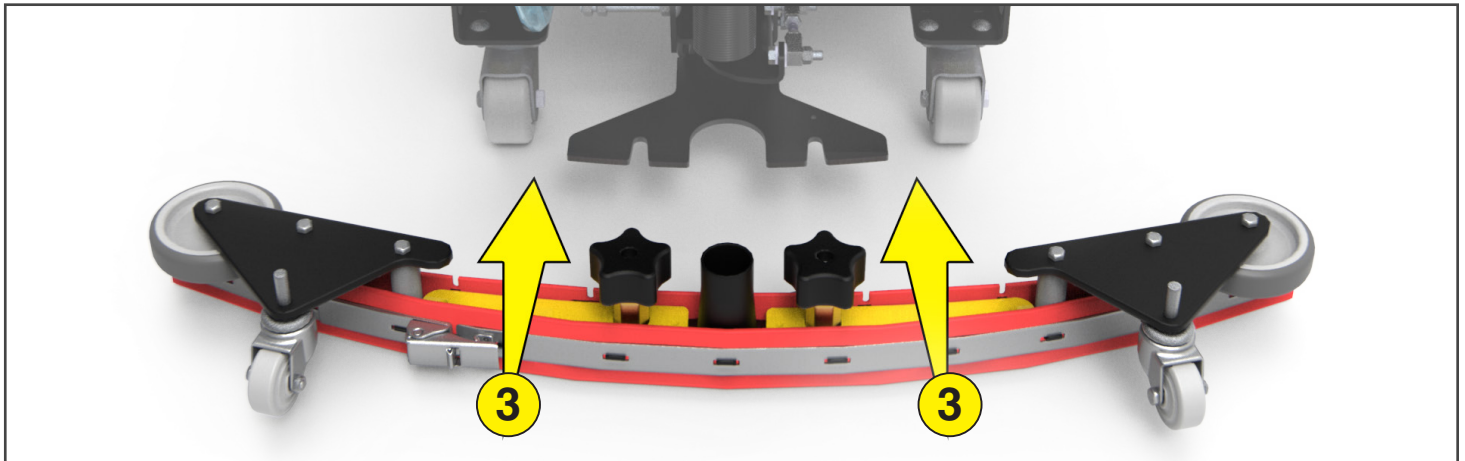
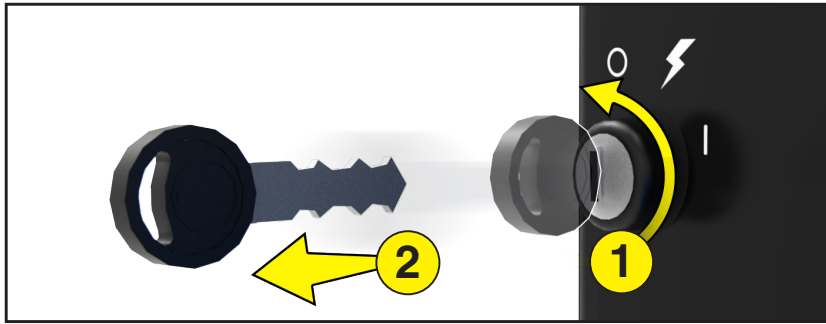
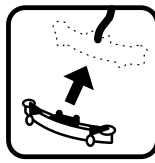
Central Command Overview

1. Drive Switch
2. Key Switch
3. Right Brush Circuit Breaker
4. Left Brush Circuit Breaker
5. Positive BUSS Circuit Breaker
6. Pump Circuit Breaker
7. USB Port (Optional)
8. USB Port (Optional)
9. Negative BUSS Circuit Breaker
10. Vac Circuit Breaker
11. Speed Control Knob
12. Battery Gauge/Hour Meter
13. Vac Clog Indicator Light (Optional)
14. Solution Indicator Light
15. E-Stop
16. Brush Pressure Gauge
17. Vac Switch I/O
18. Solution Switch I/O
19. Deck Switch Up (I) / Down (O)
20. Down Pressure Toggle Switch (Optional)
21. Drive Switch
22. Reverse Switch



# OPERATION

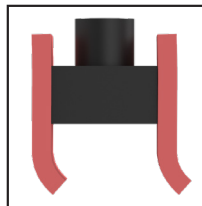
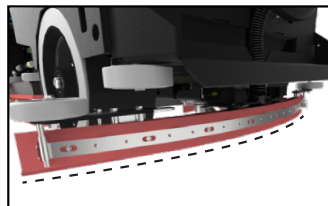
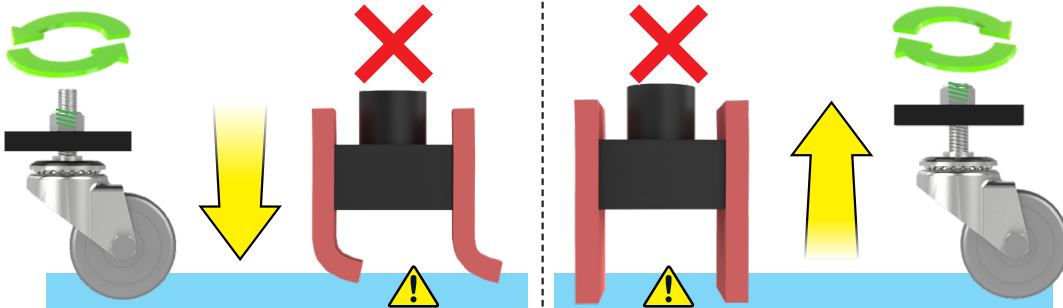
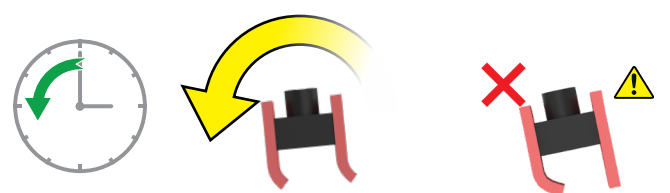
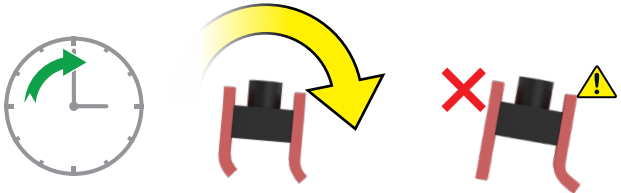
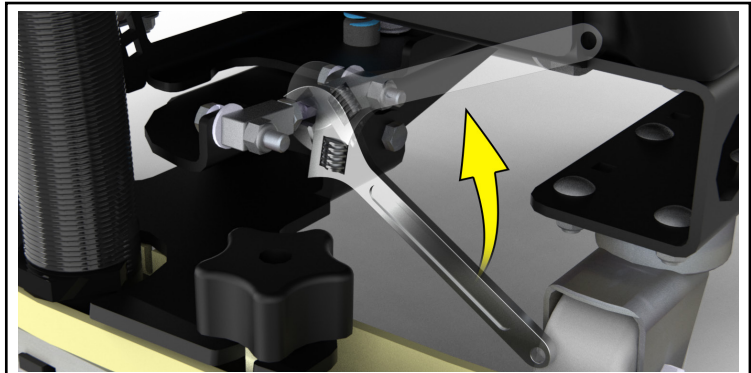
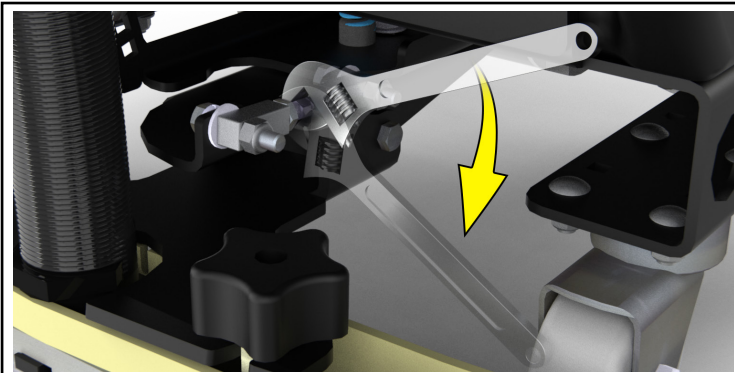
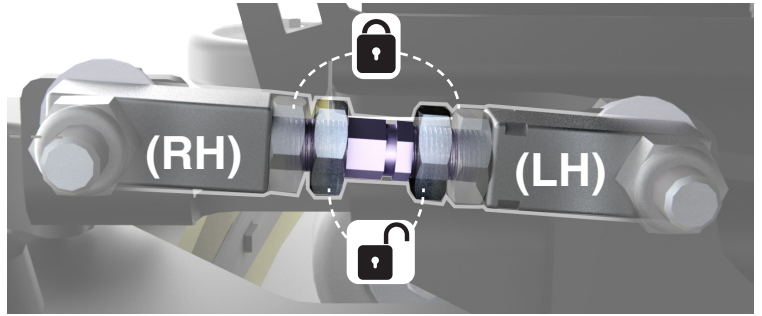
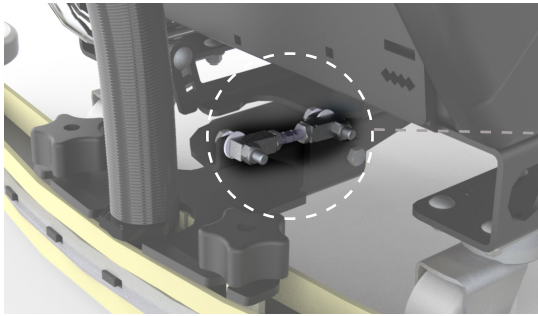
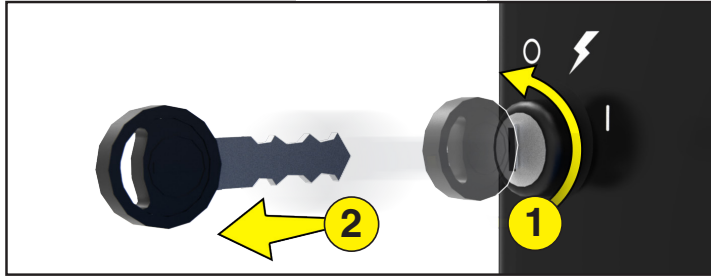
## Squeegee Installation





# OPERATION

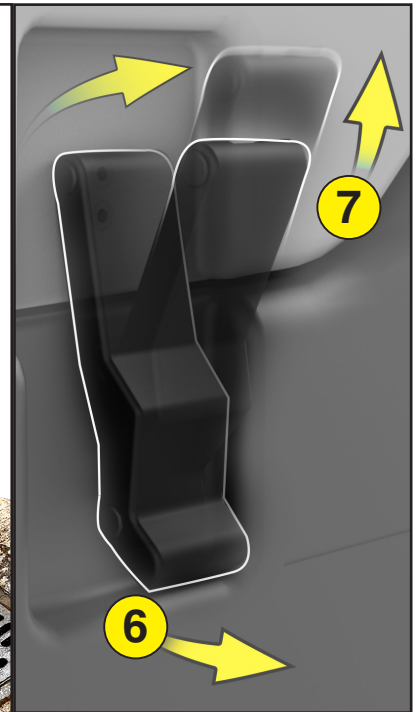
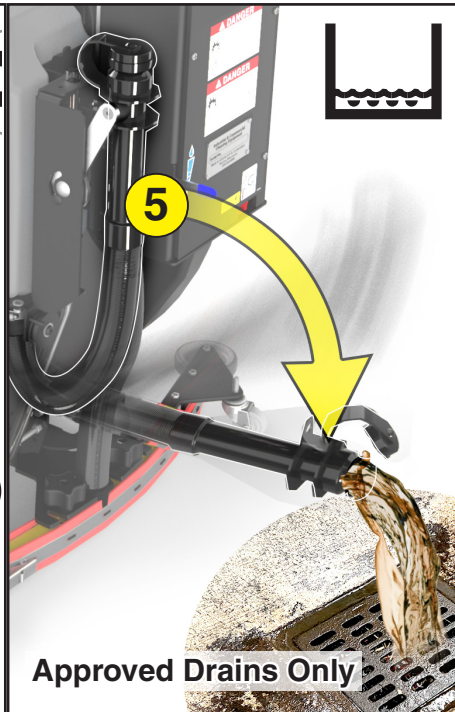
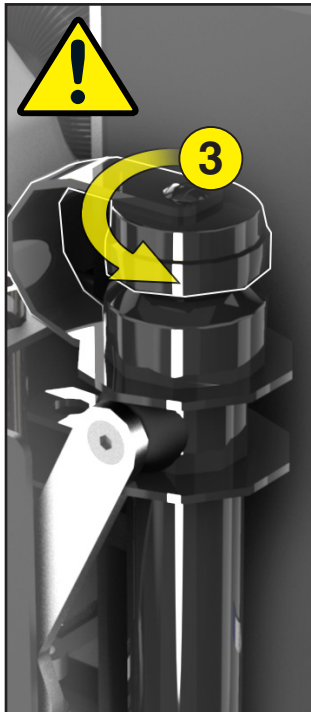
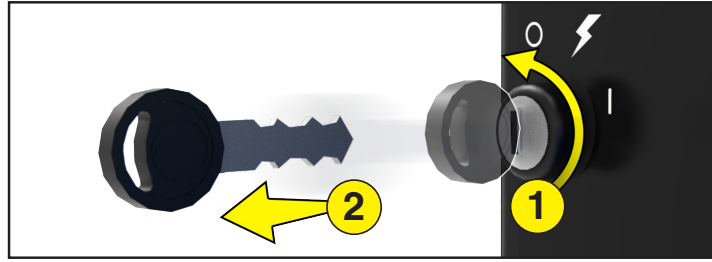
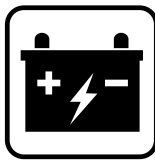
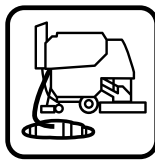
## Squeegee Adjustment





# OPERATION

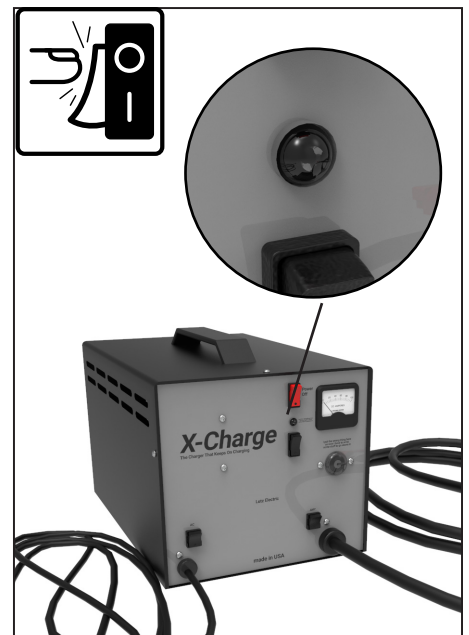
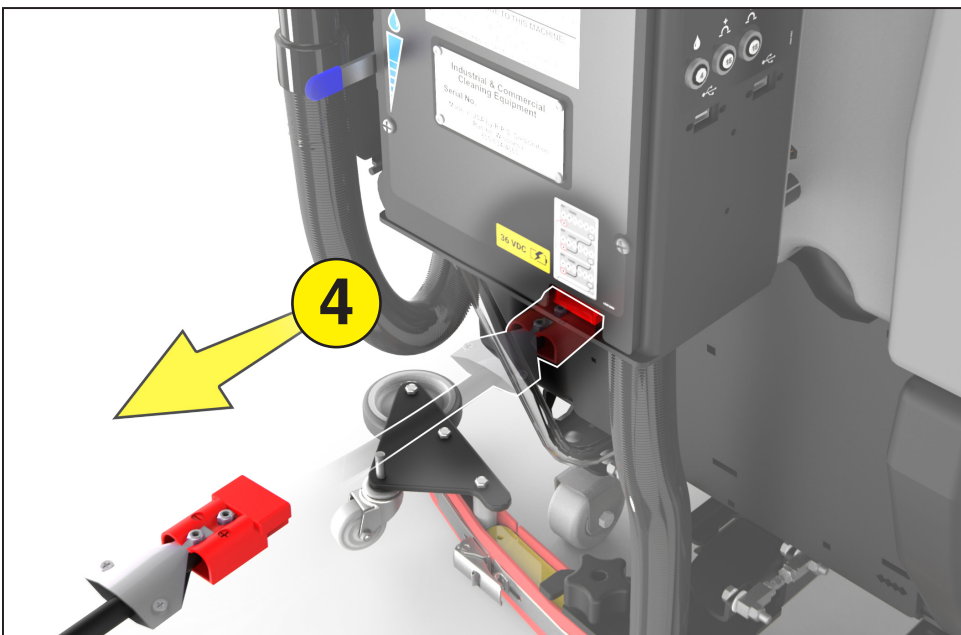
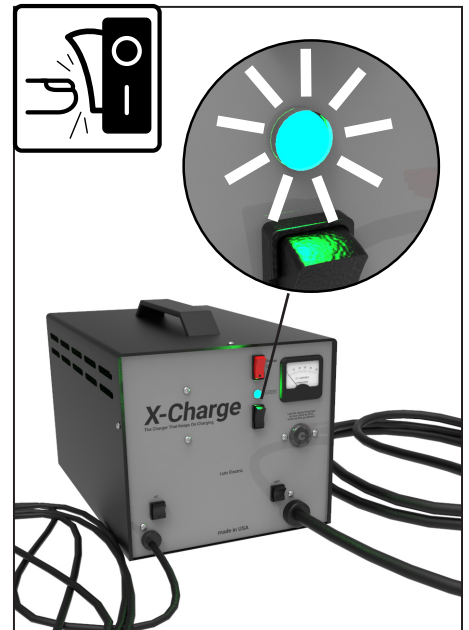
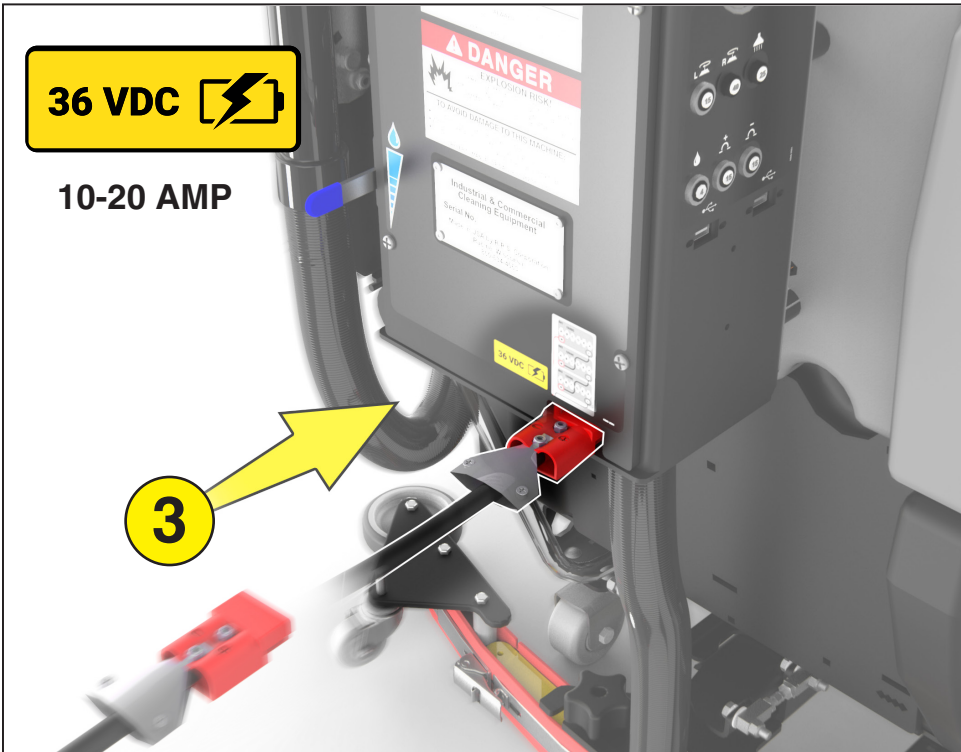
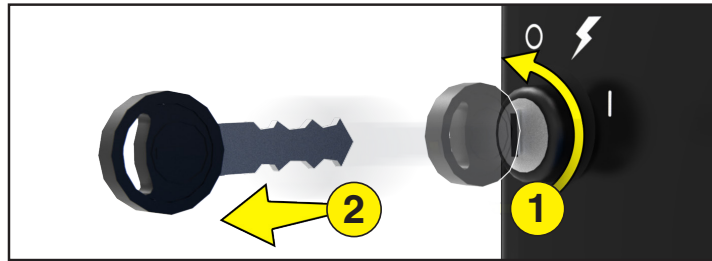
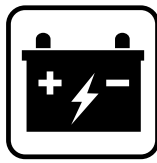
## Battery Setup



Machine On Level Ground

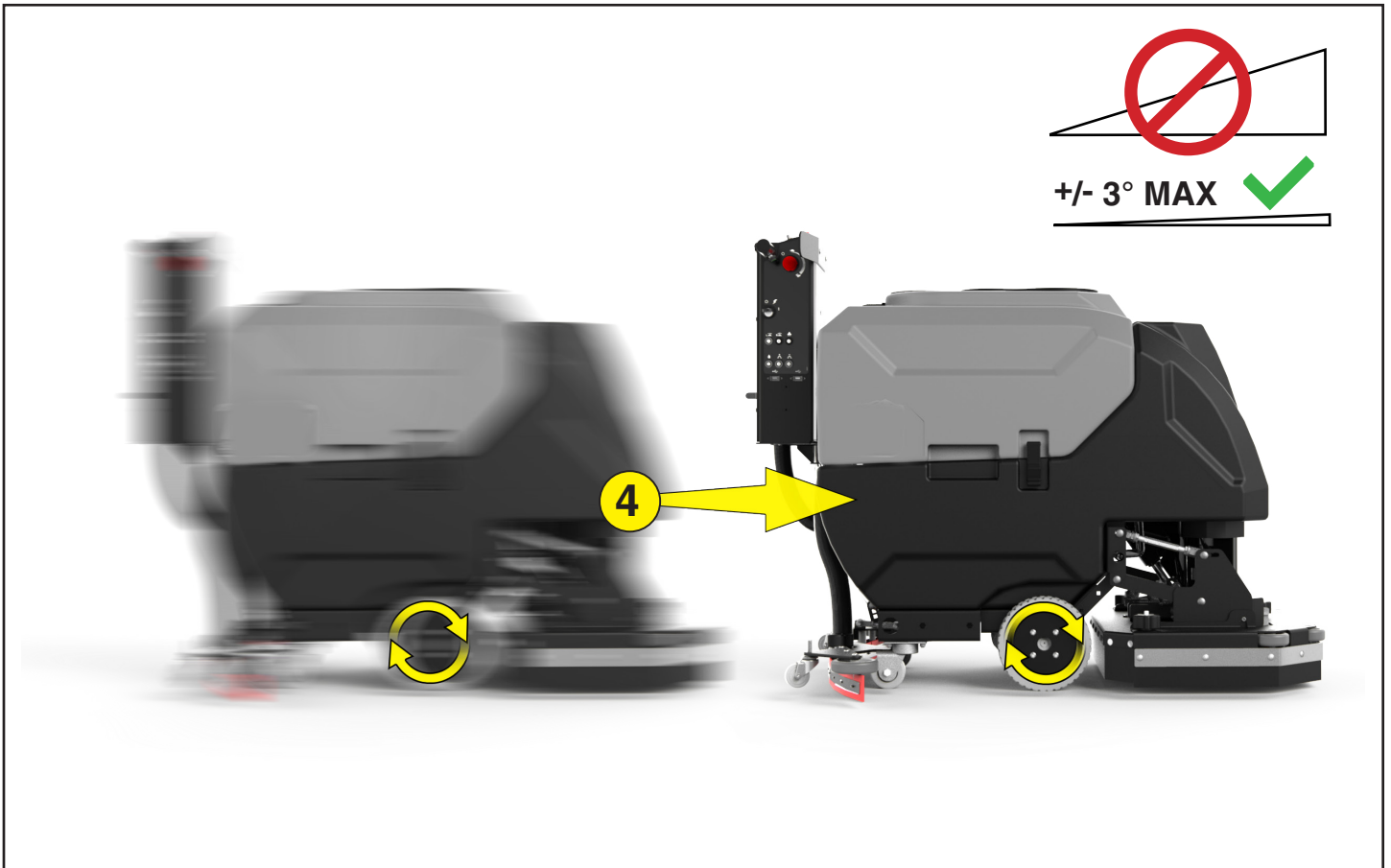
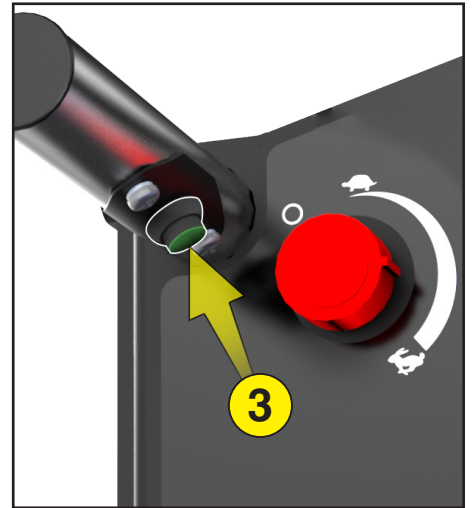
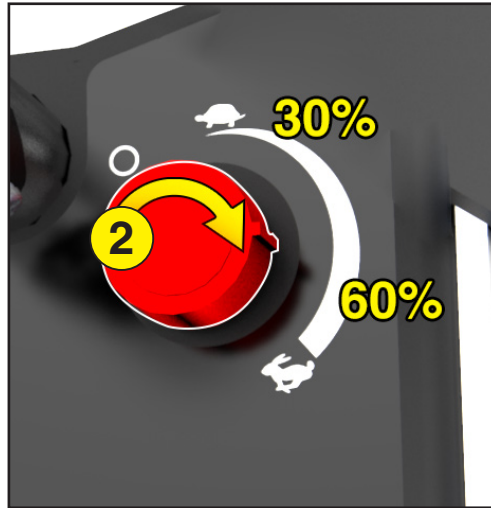






# OPERATION

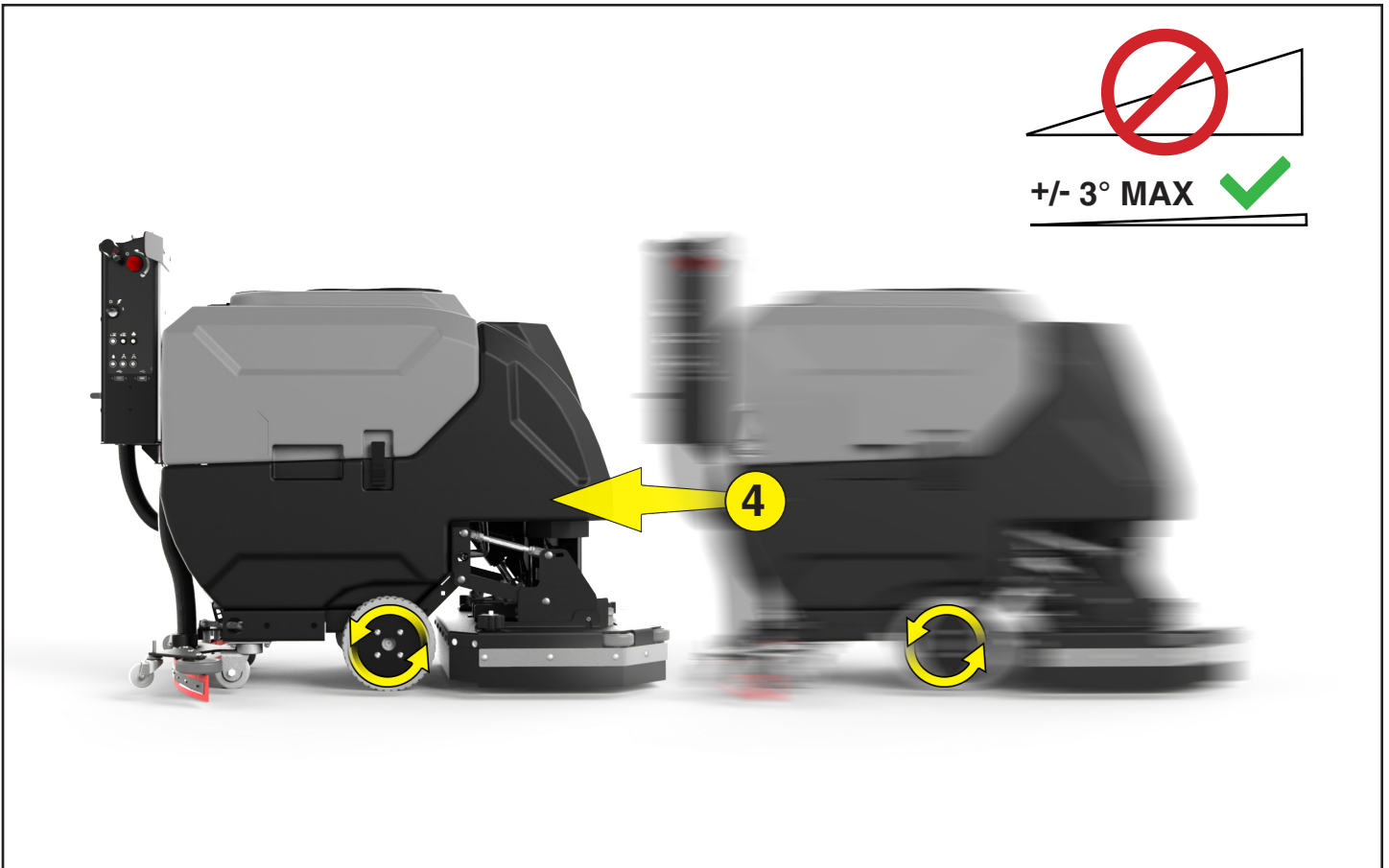
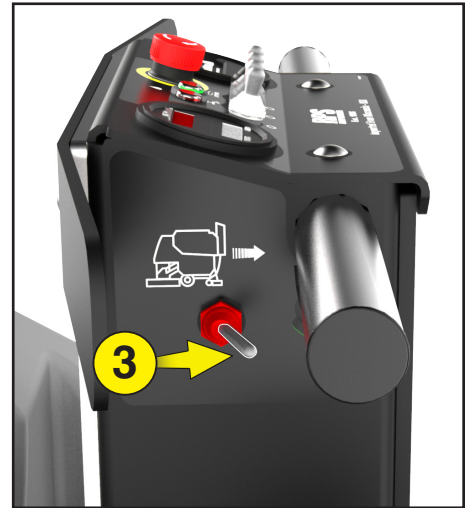
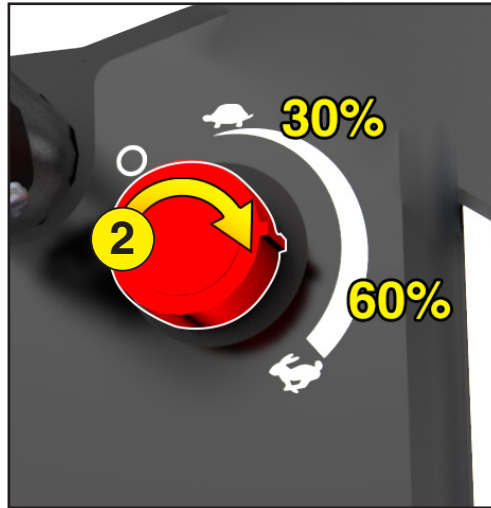
## Forward Drive





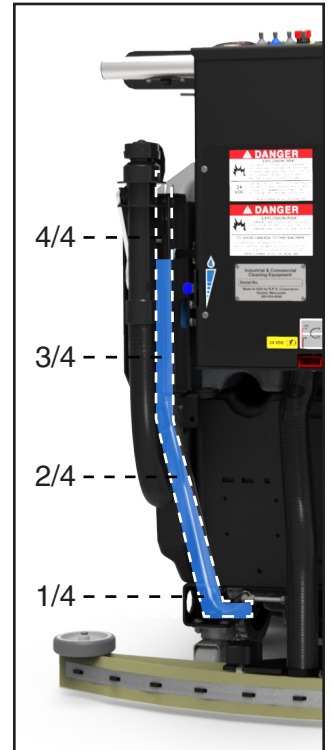
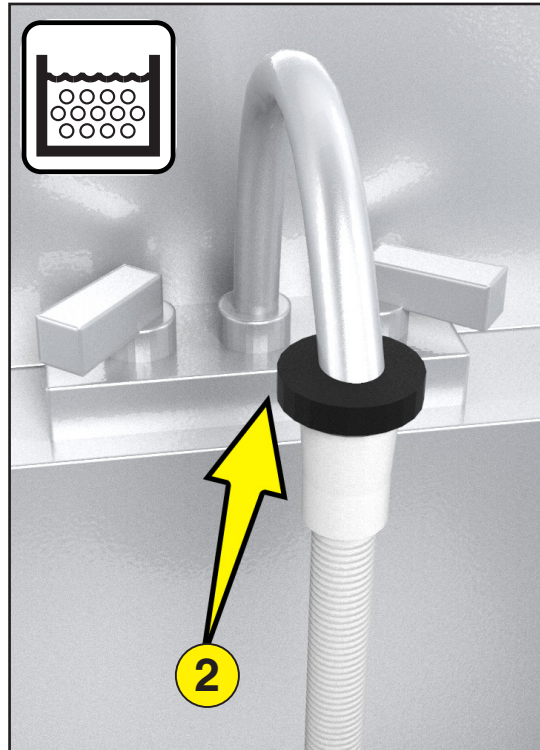
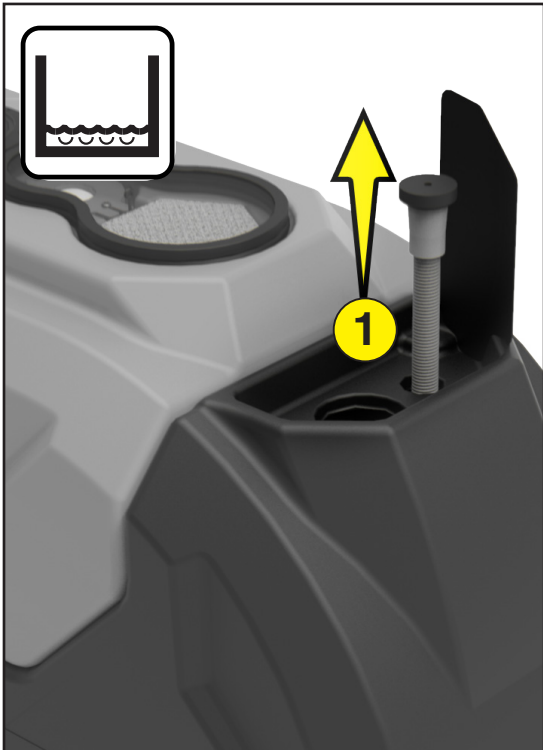
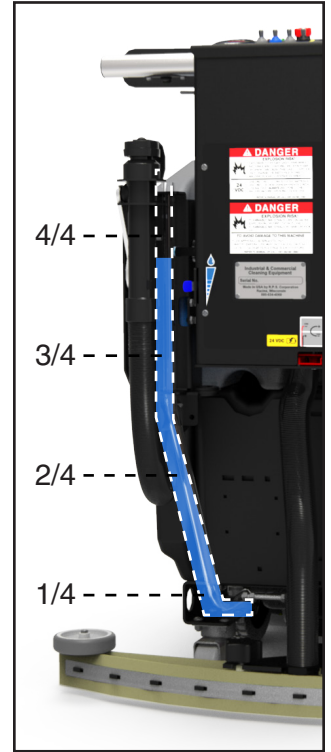
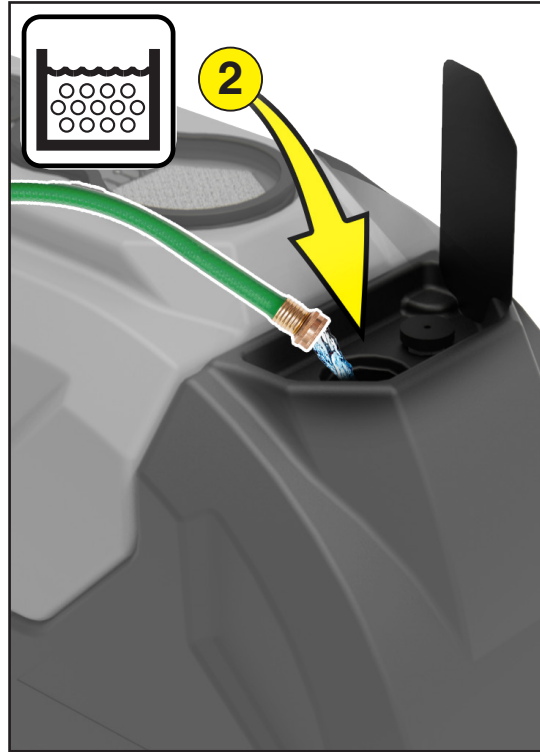
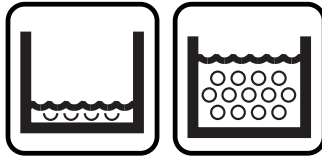
# OPERATION

## Reverse Drive

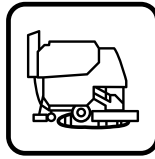


# OPERATION

## Fill Solution Tank

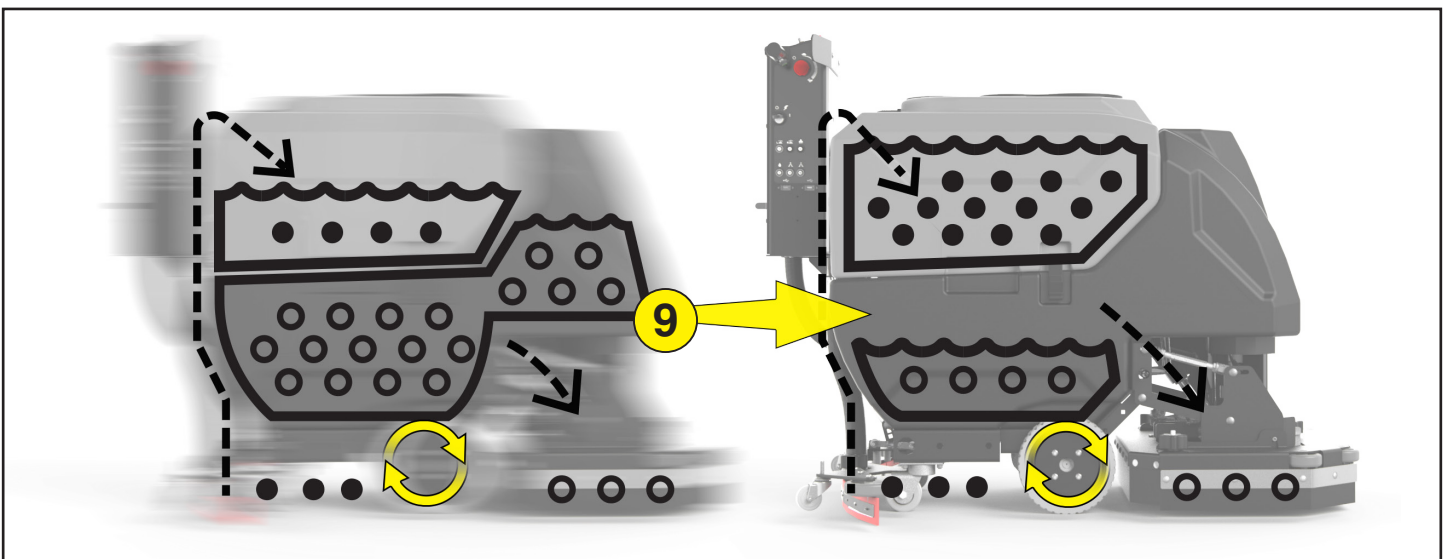
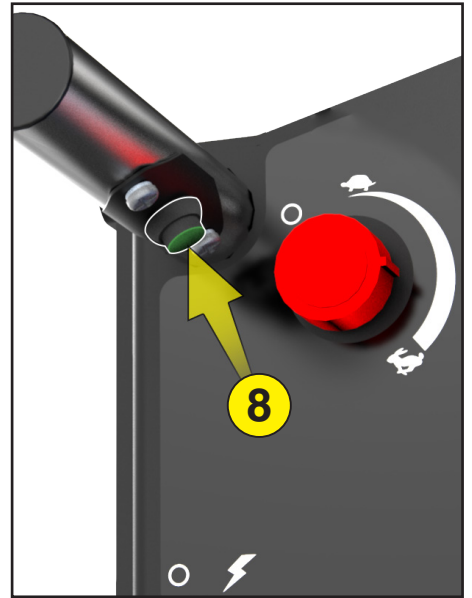
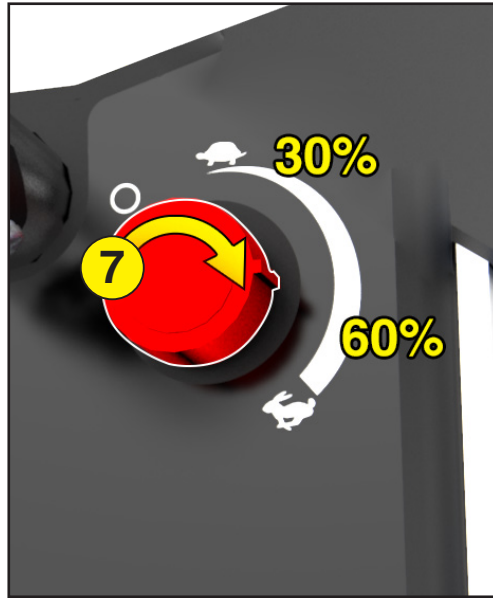
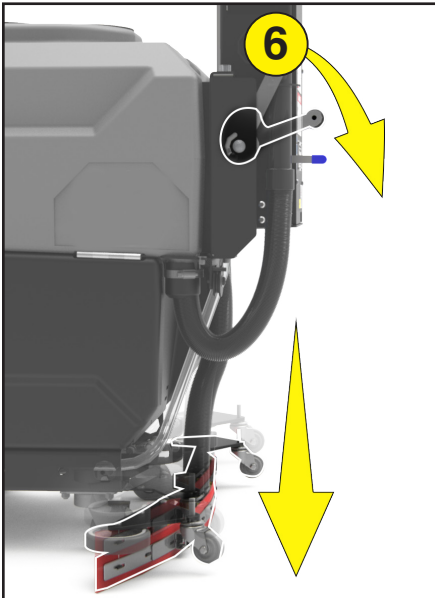
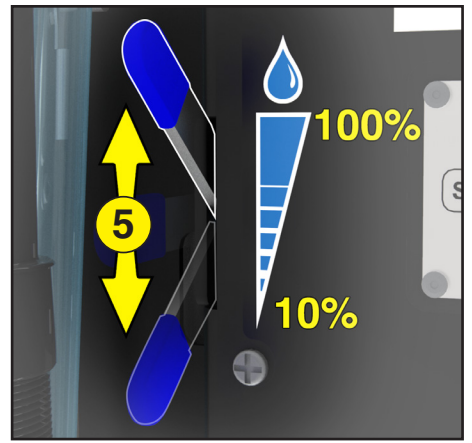
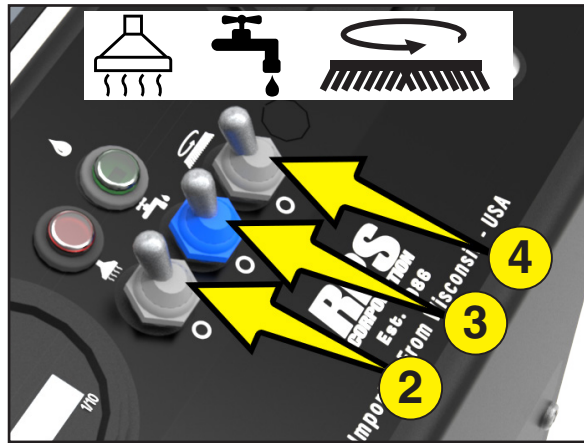






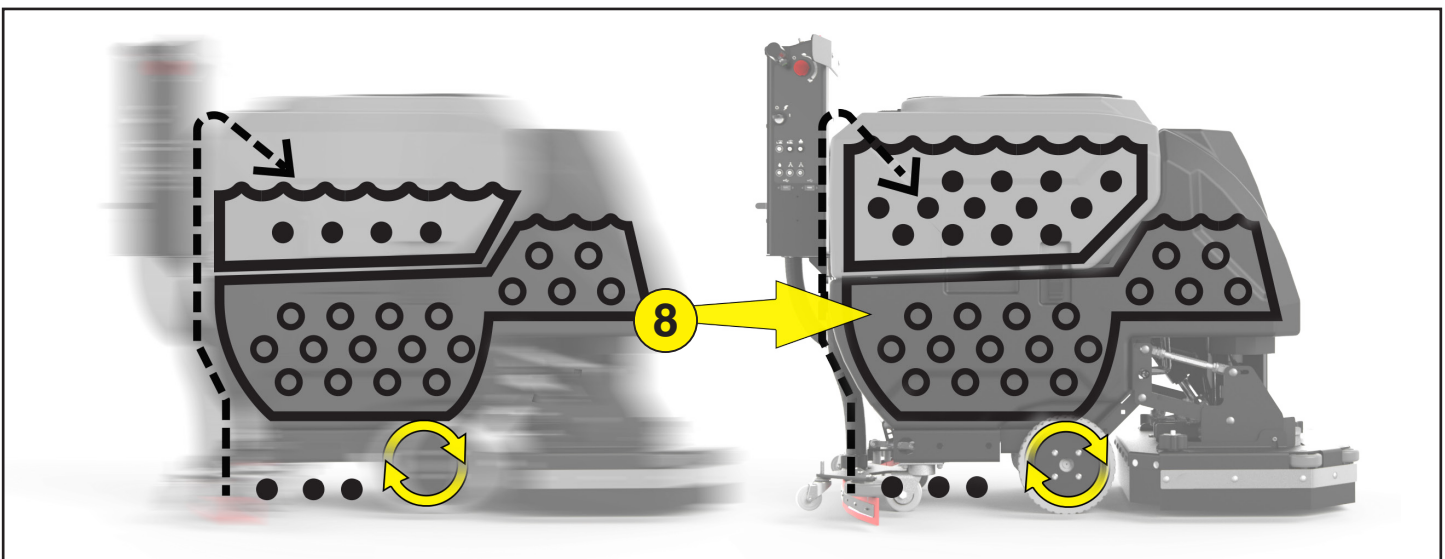
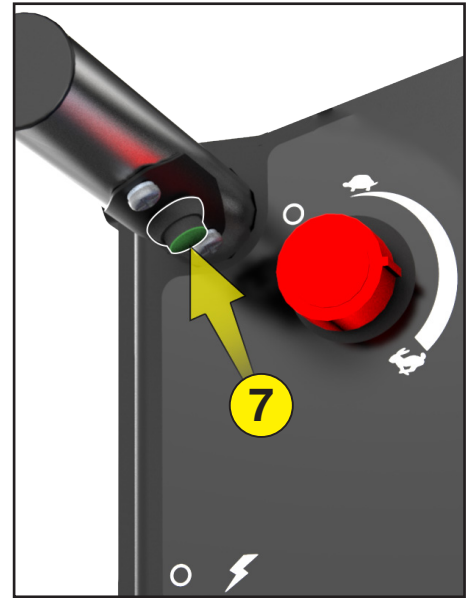
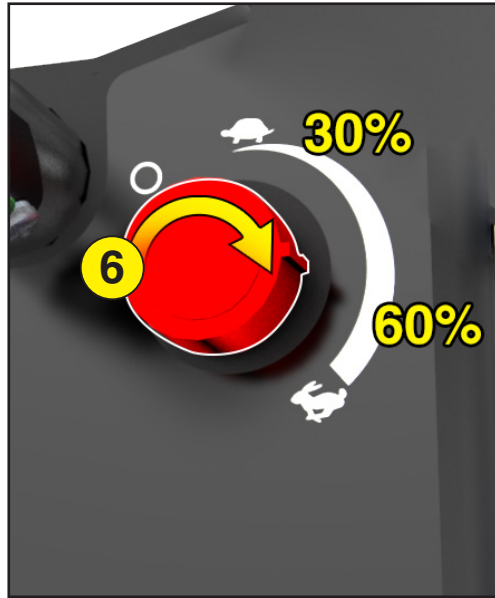
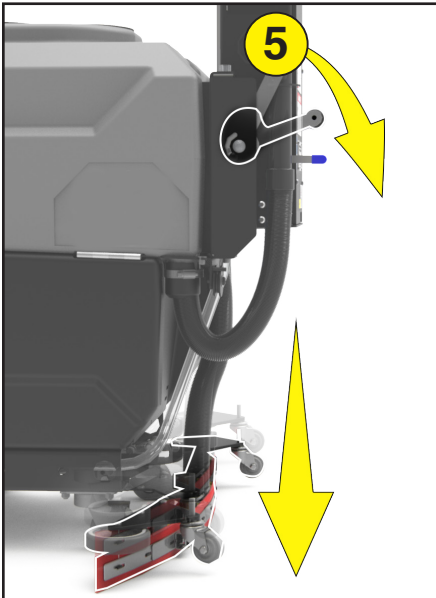
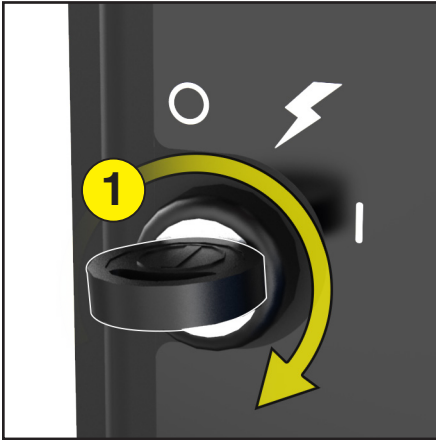
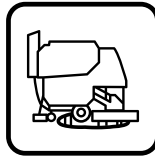
# OPERATION

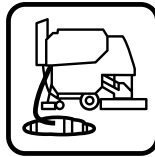
## Scrubbing



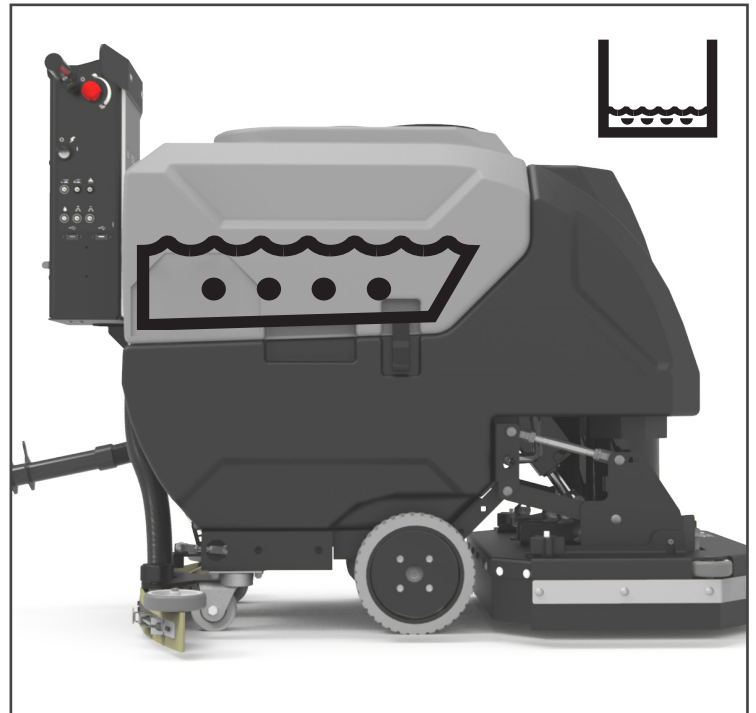
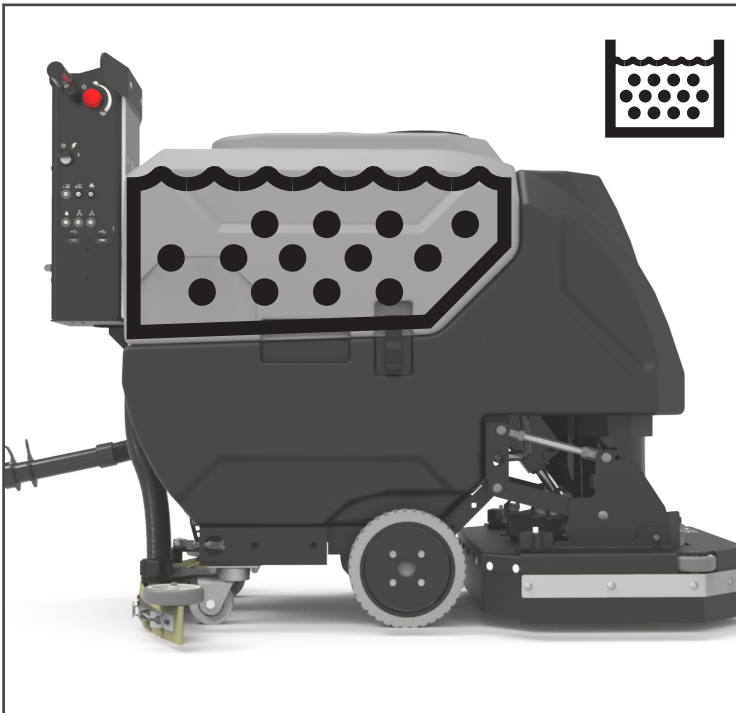
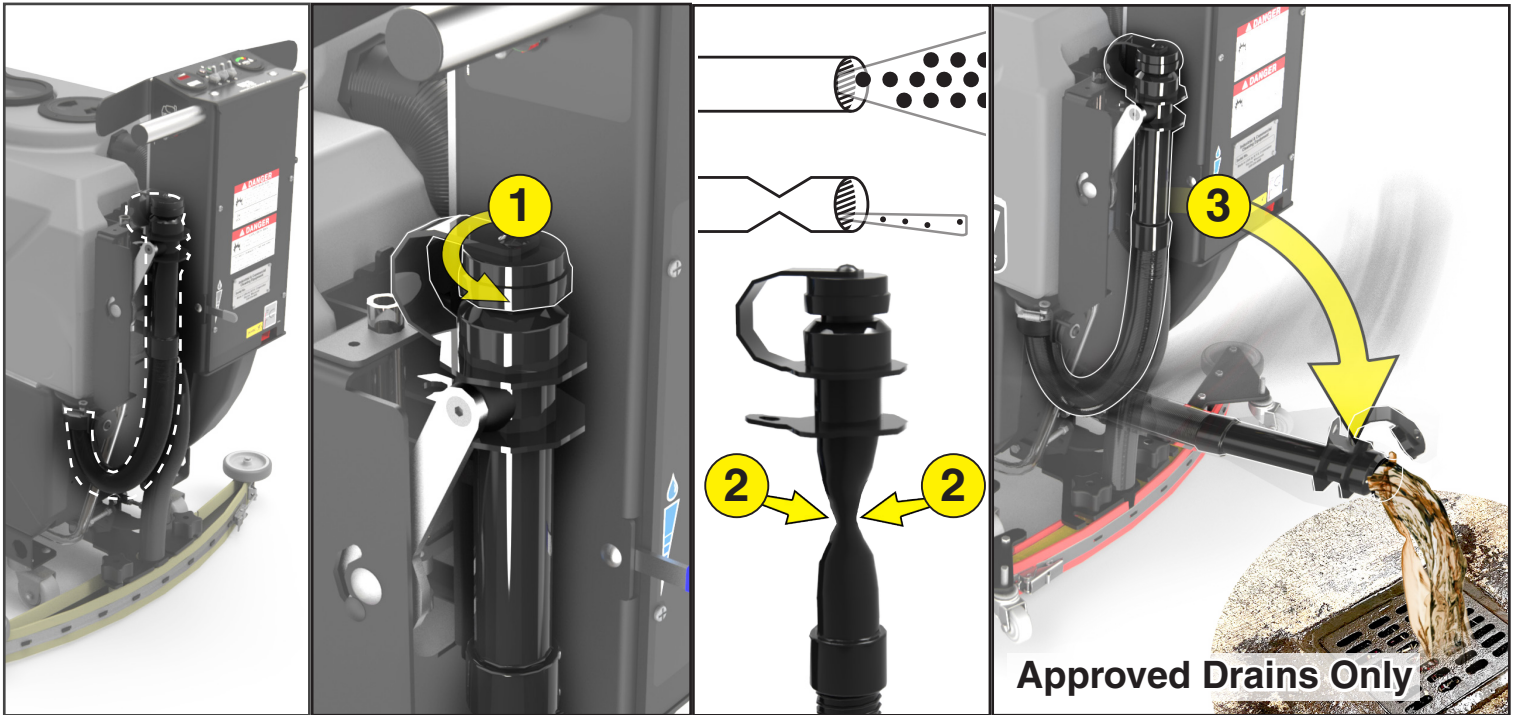
# OPERATION

## Drying





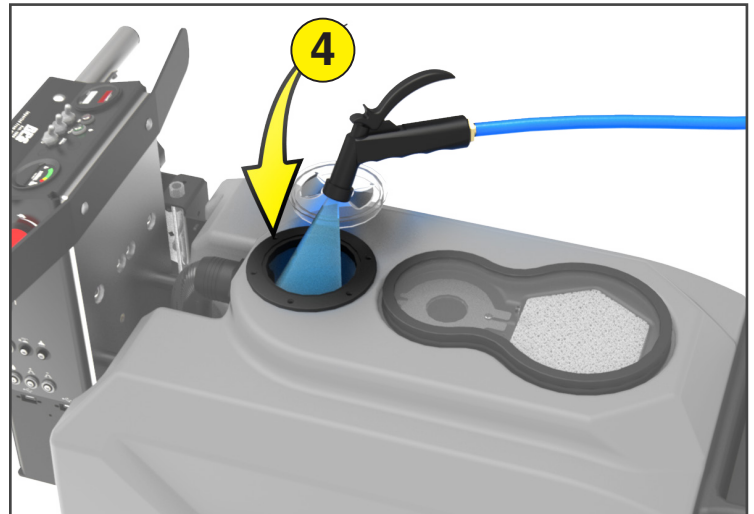
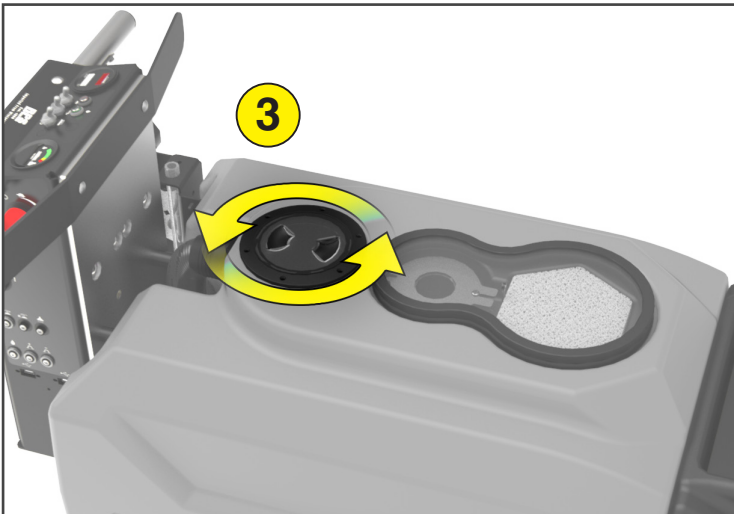
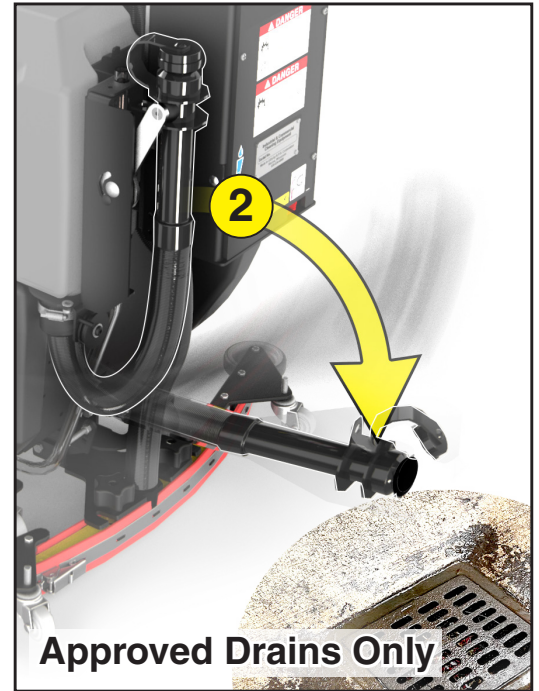
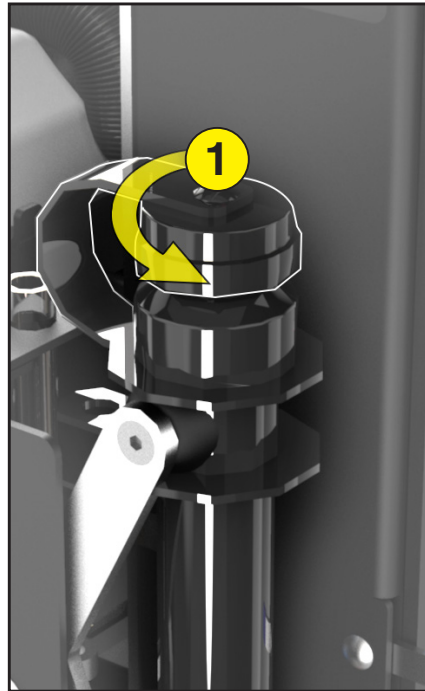
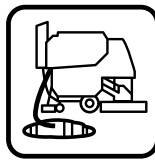
Drain Recovery Tank





# OPERATION

## Flushing Recovery Tank

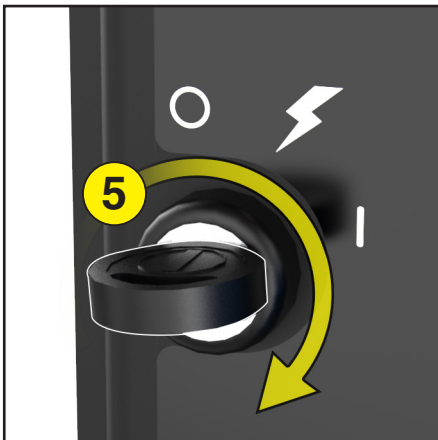
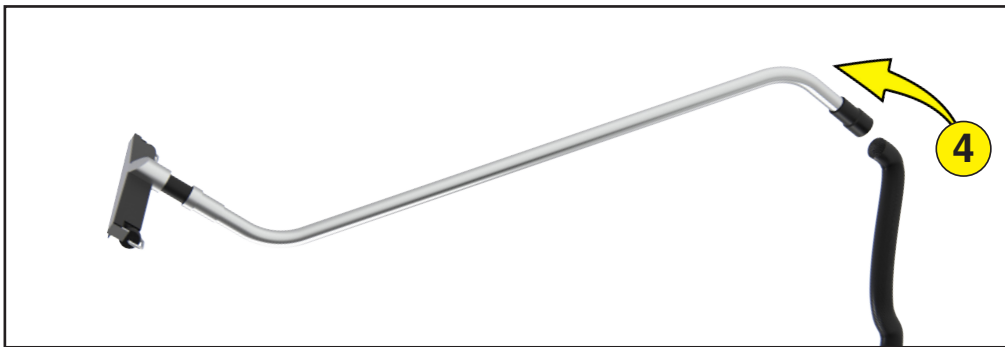
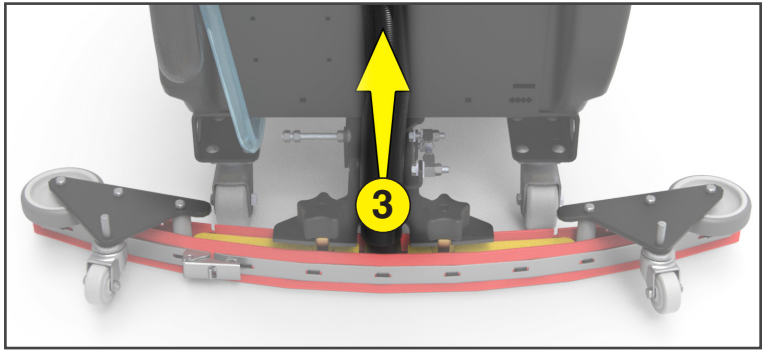
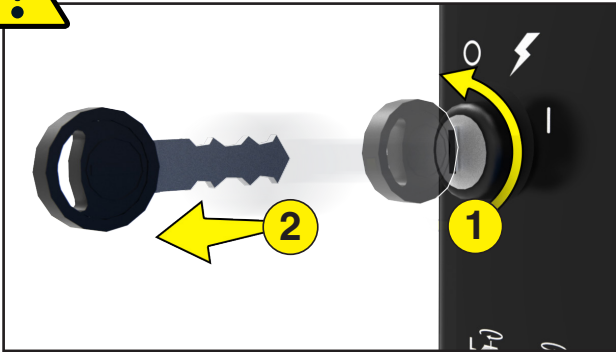






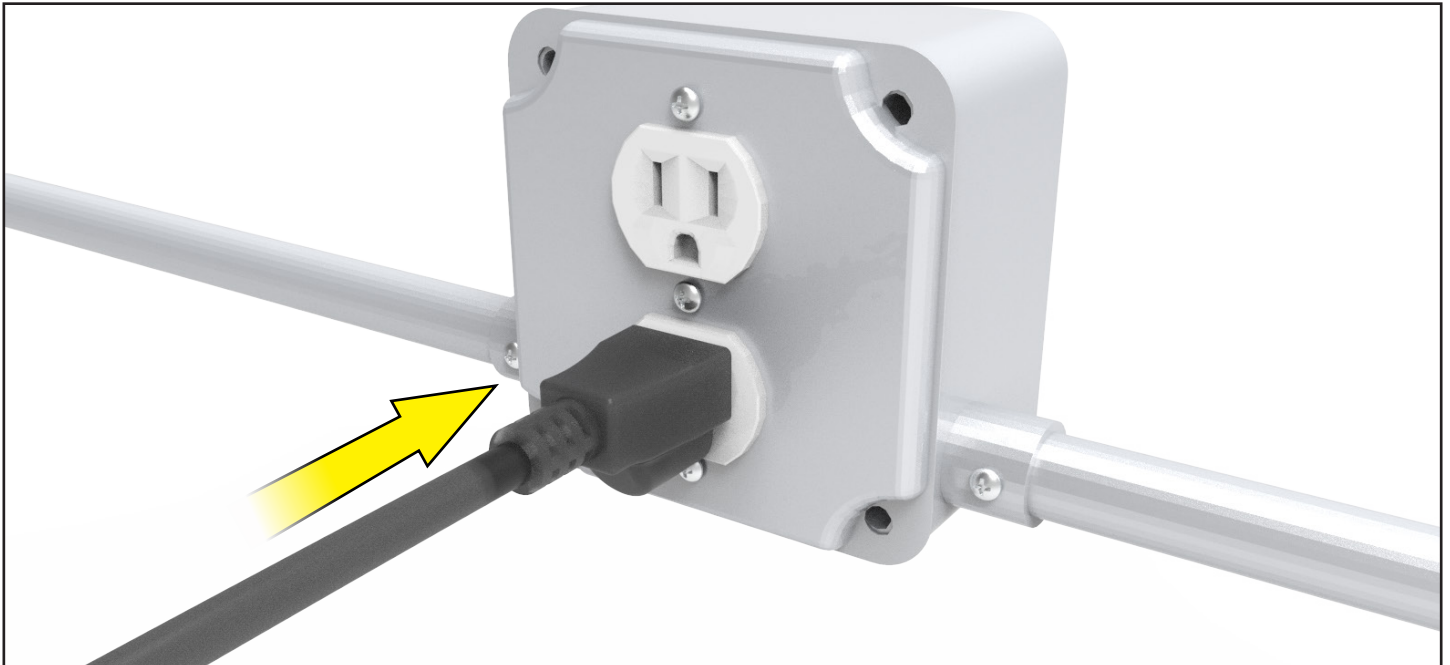
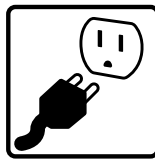
OPTIONS

Vac Wand



# OPTIONS

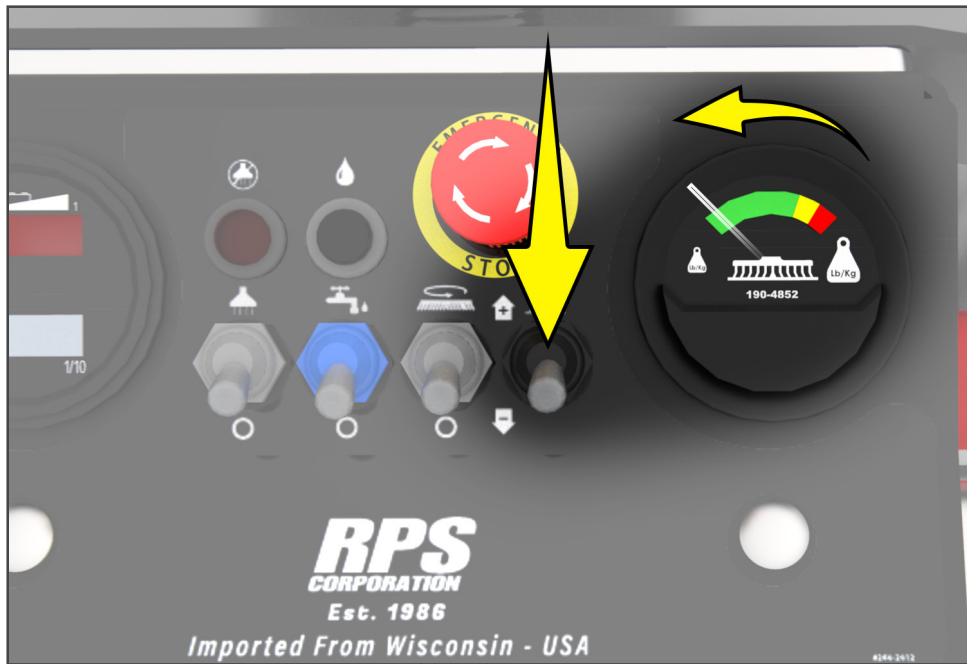
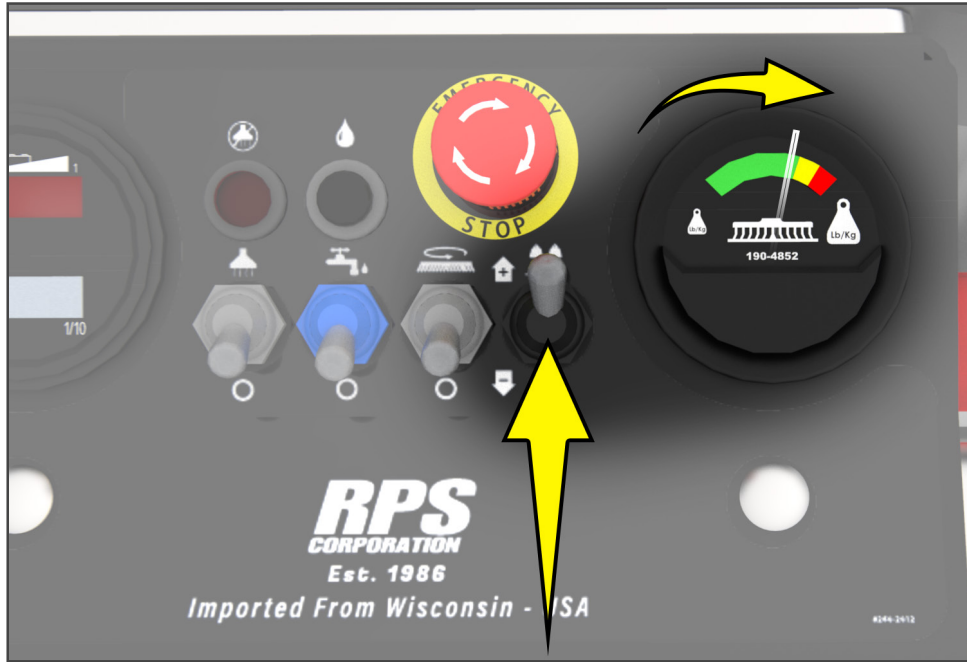
## Onboard Charger





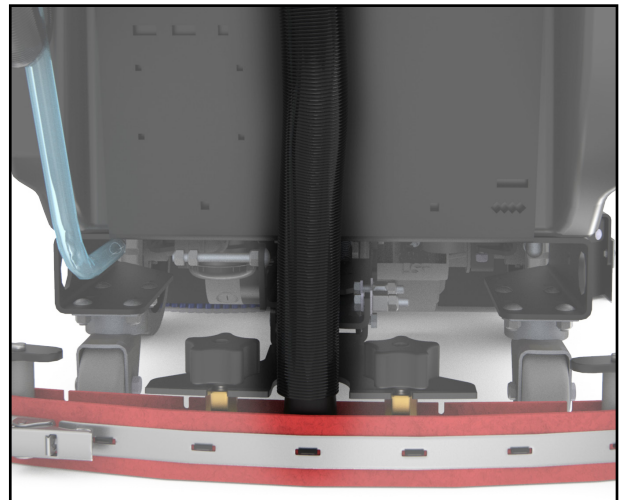
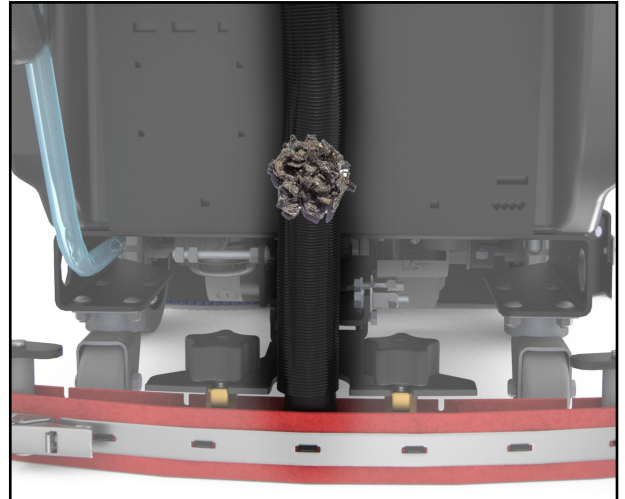
OPTIONS

Brush Pressure +/-



OPTIONS

Vac Clog Light

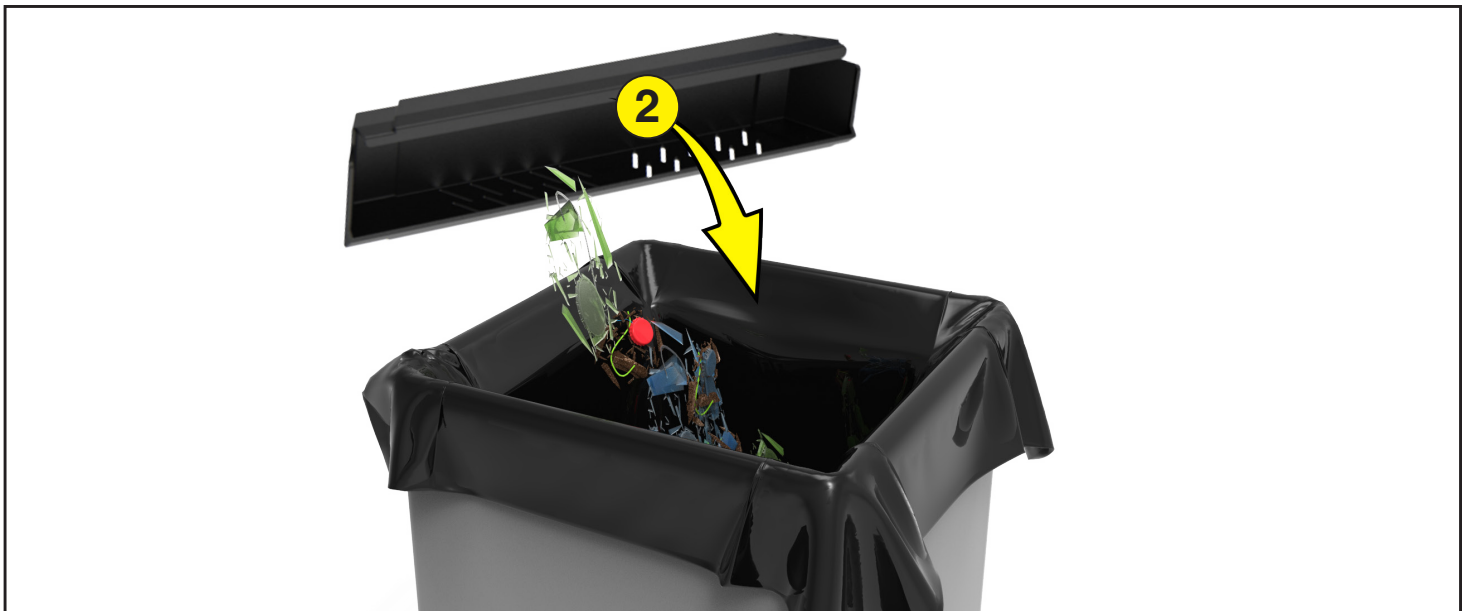
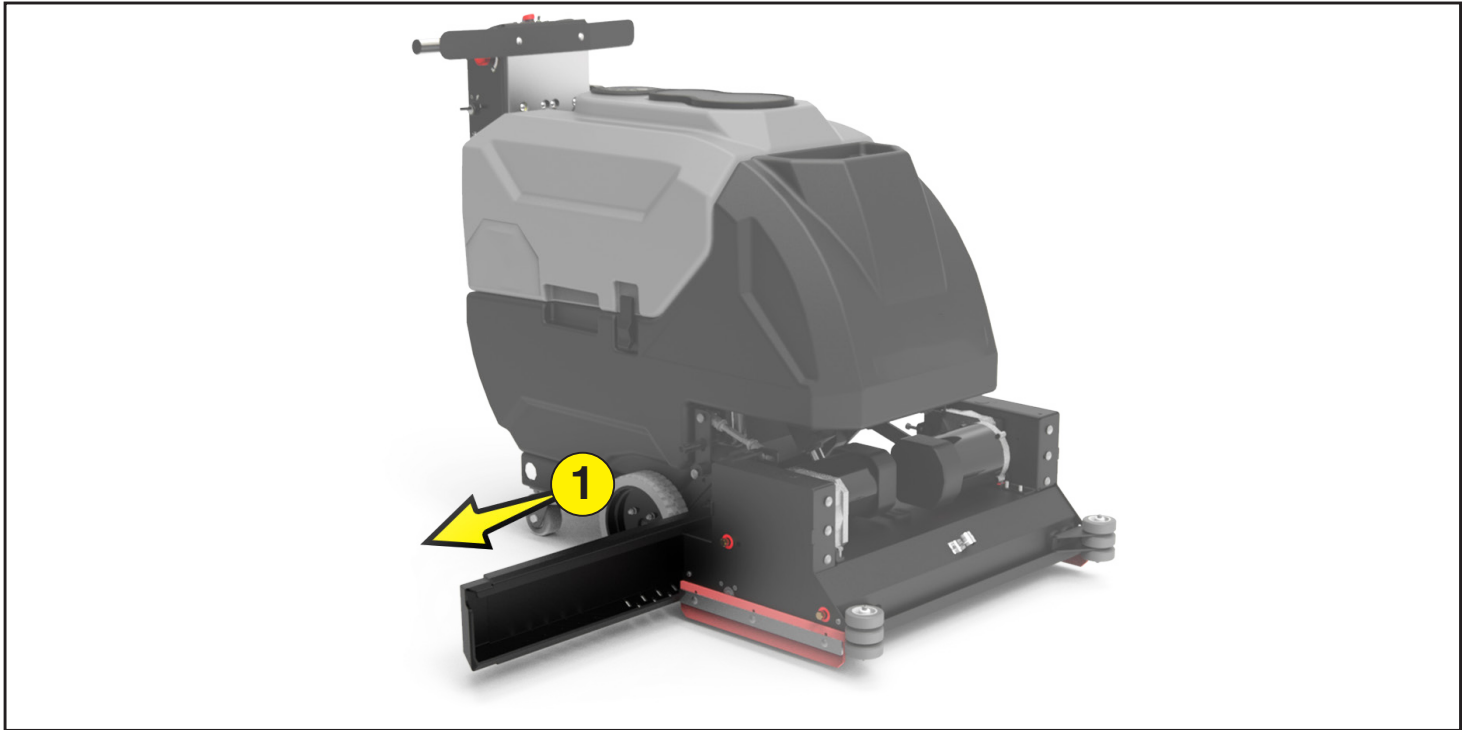
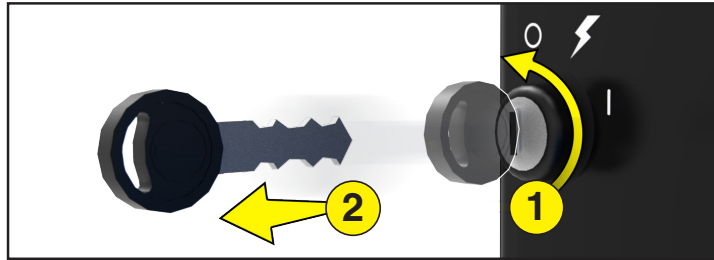




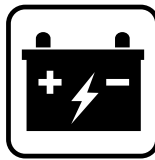


## DAILY MAINTENANCE

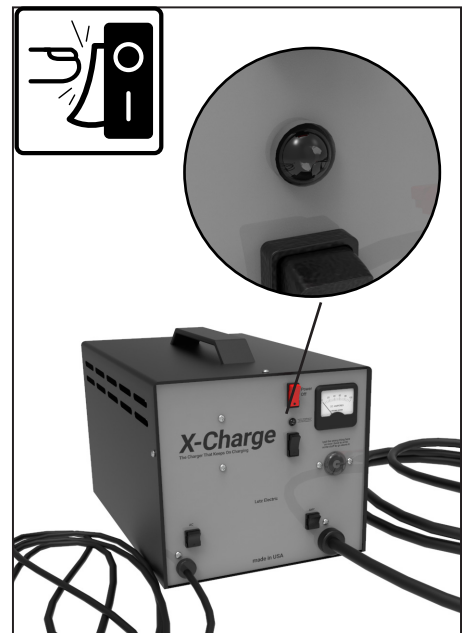
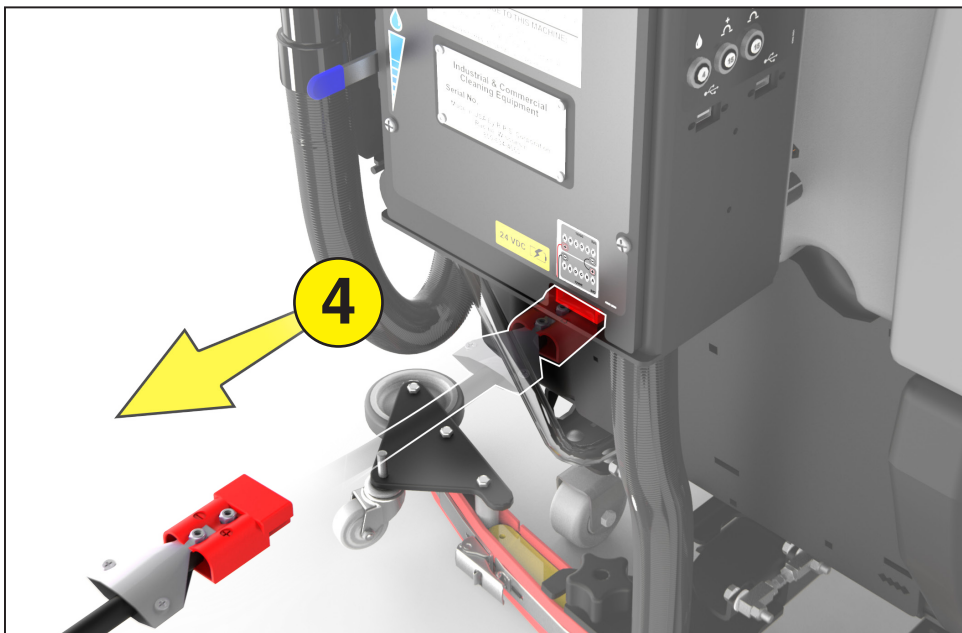
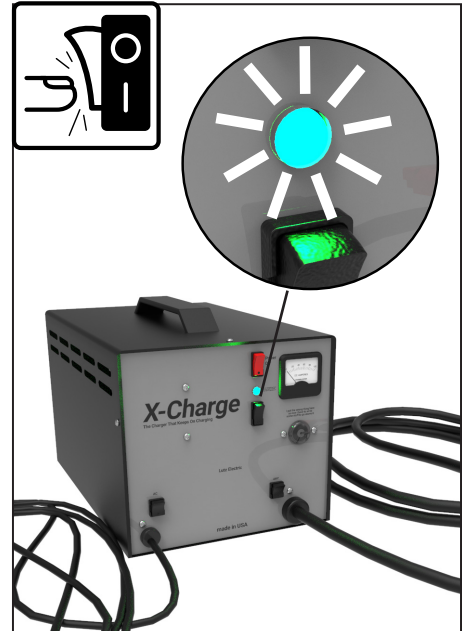
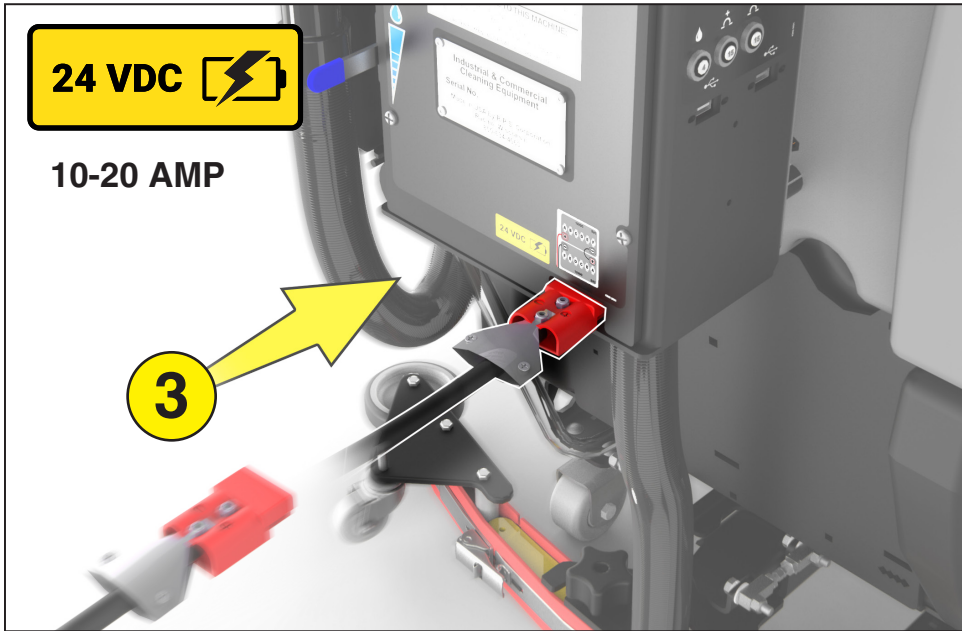
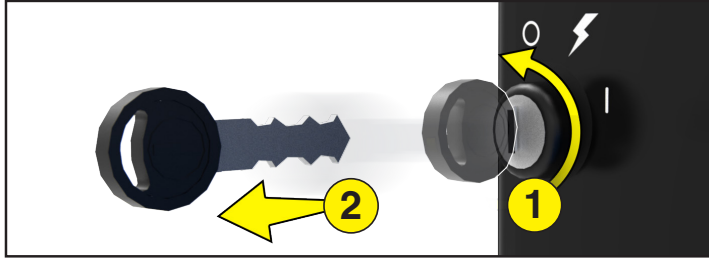
### Clean Cylindrical Hopper

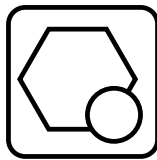


# DAILY MAINTENANCE



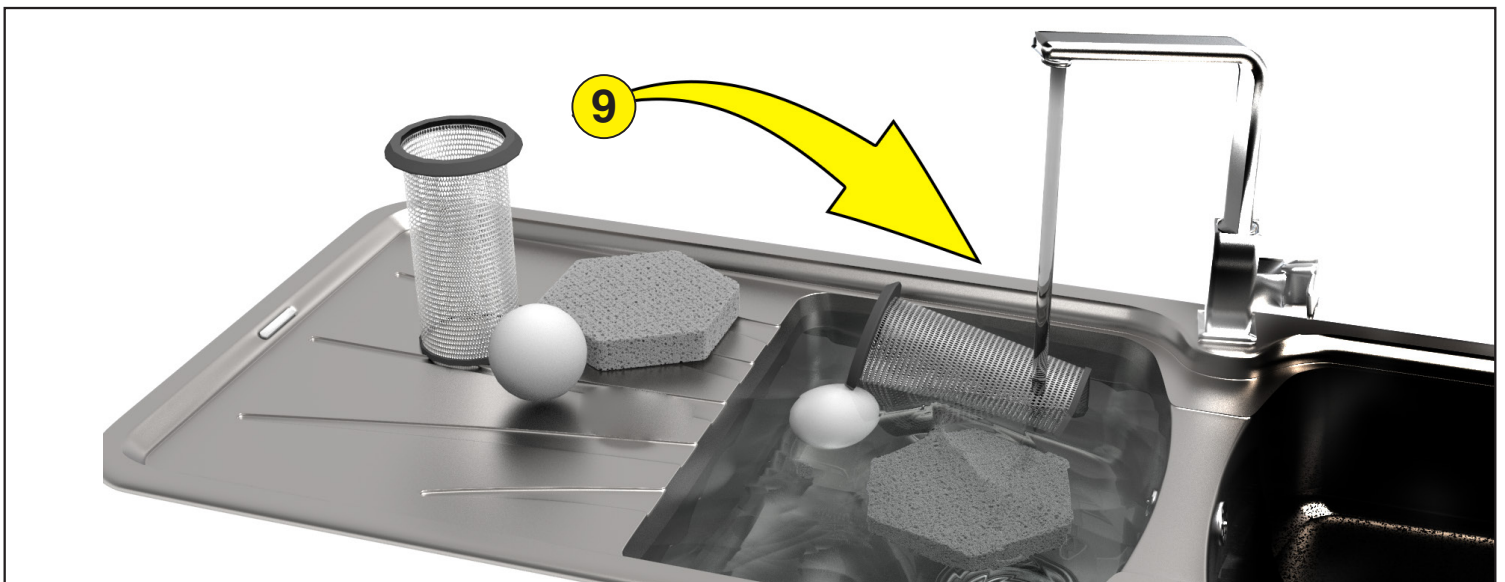
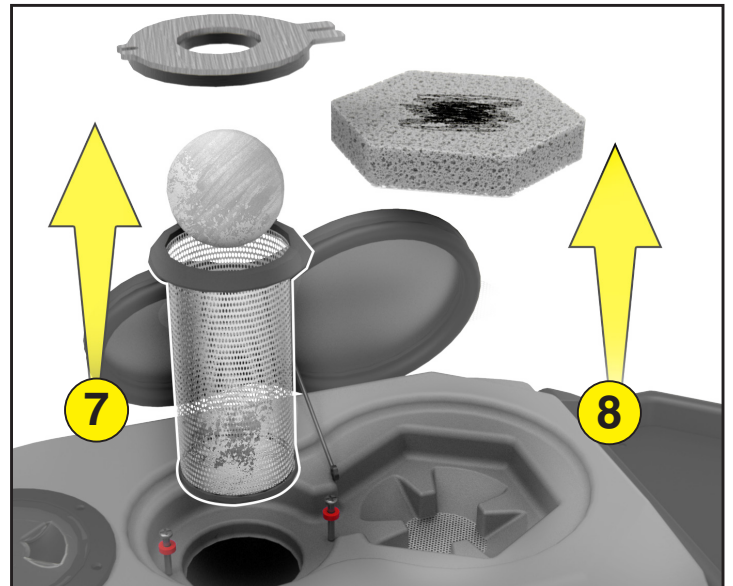
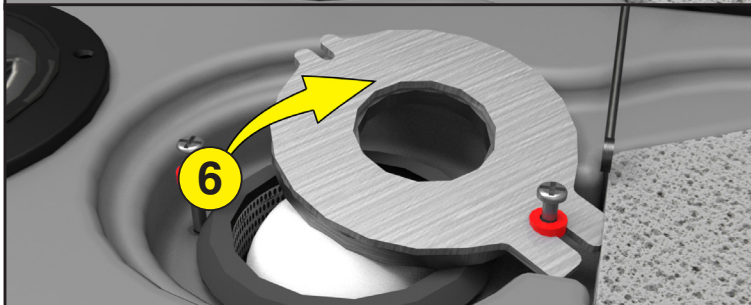
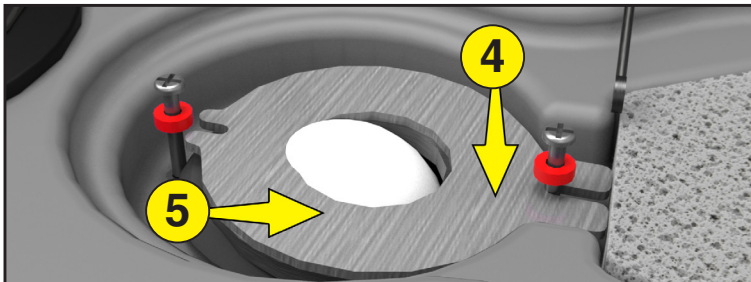
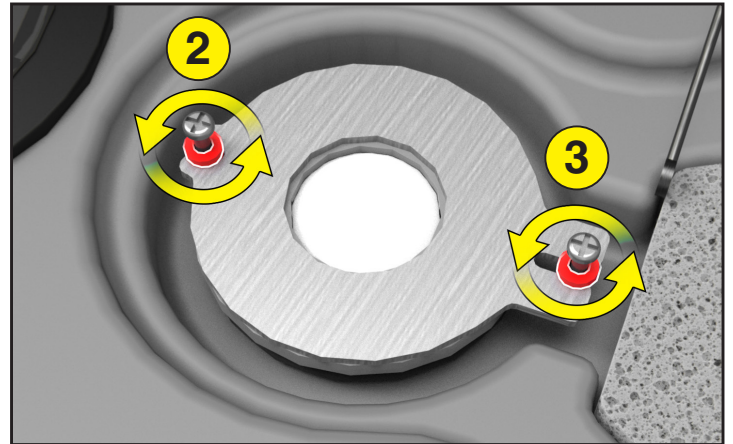
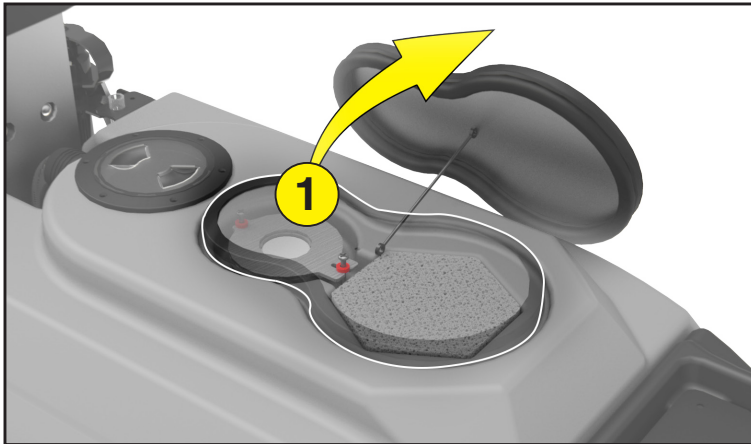
## Charge Batteries





## WEEKLY MAINTENANCE (<25 HRS)

### Clean White Filter/Screen

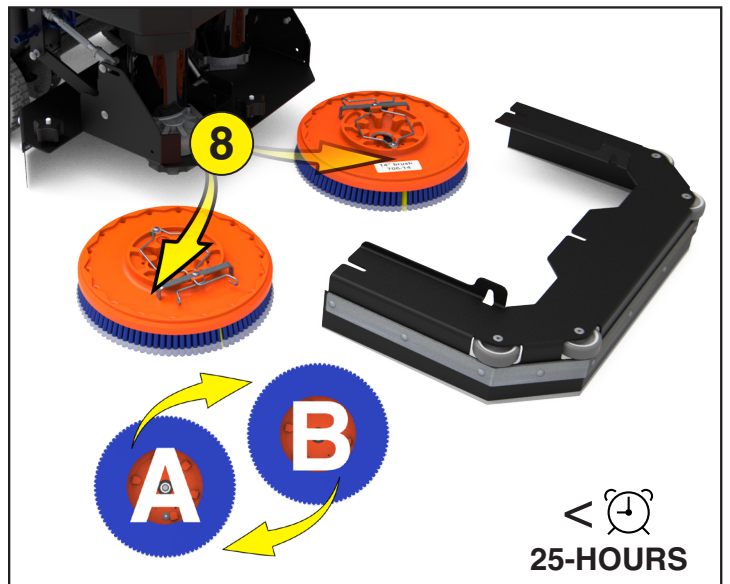
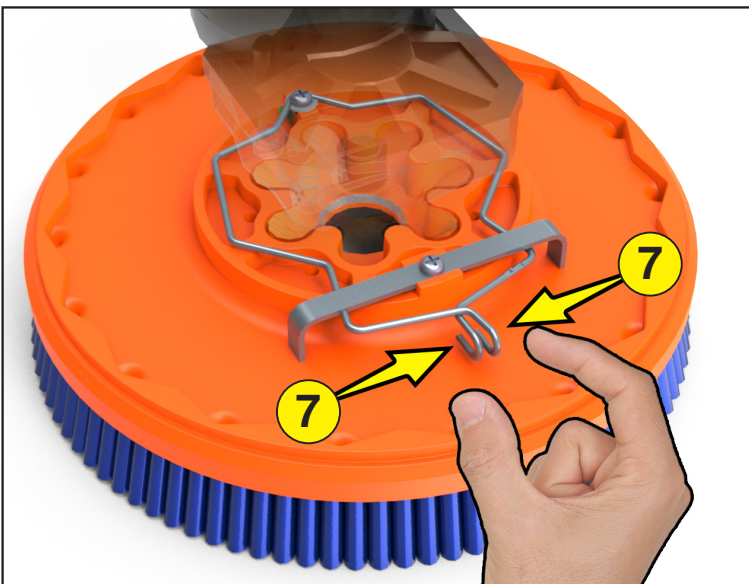
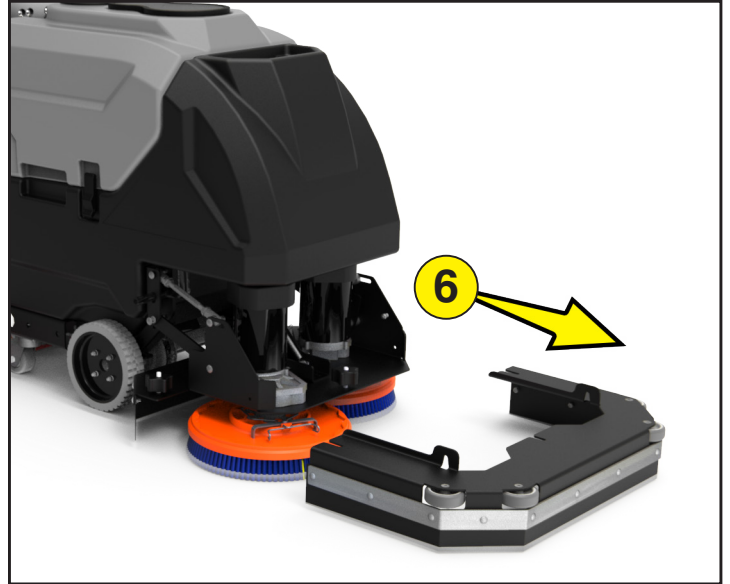
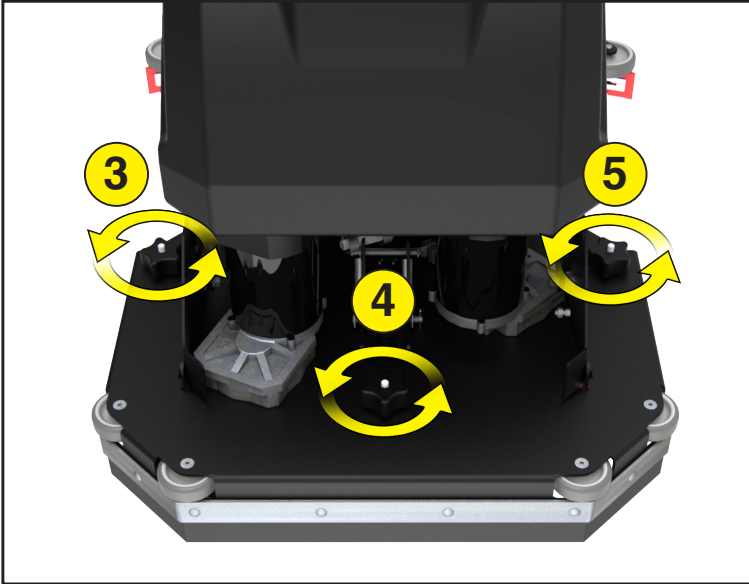
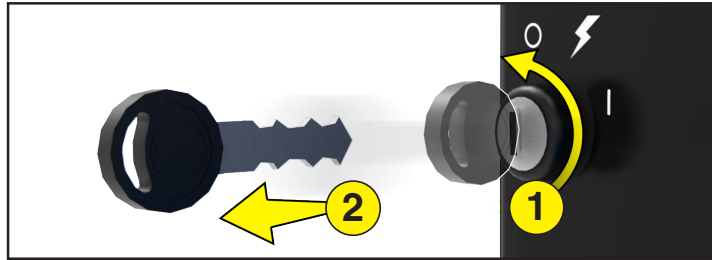




WEEKLY MAINTENANCE (<25 HRS)



Rotate Disk Brushes



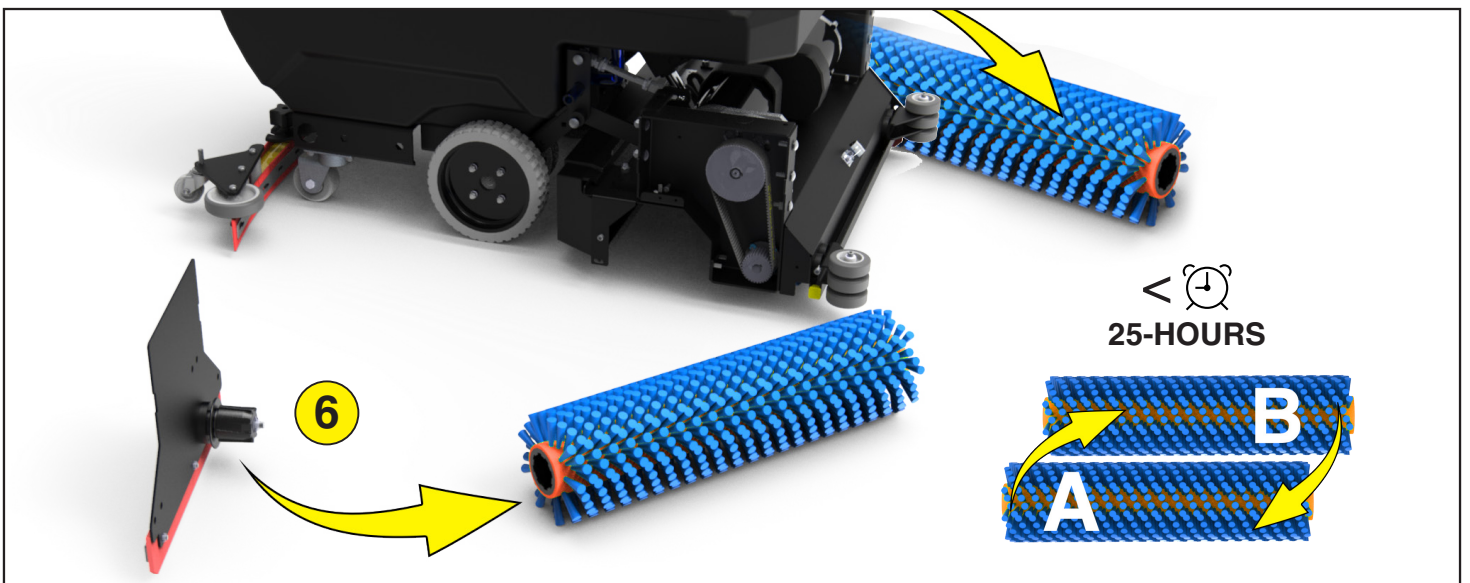
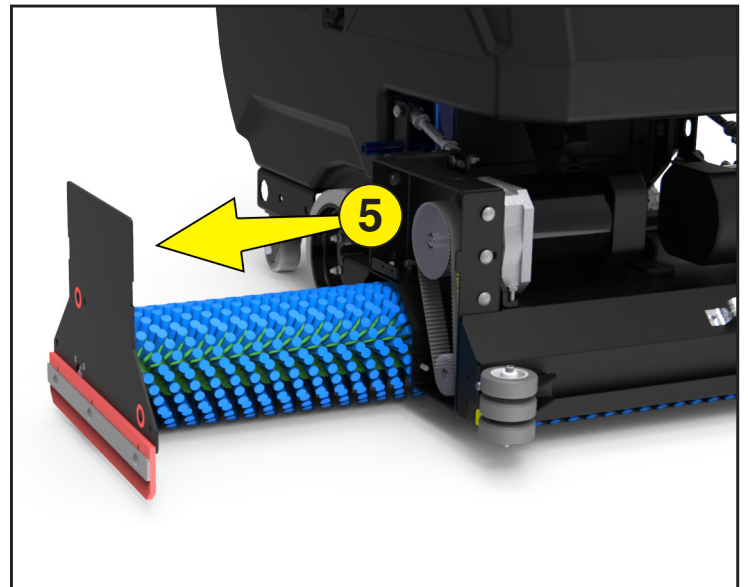
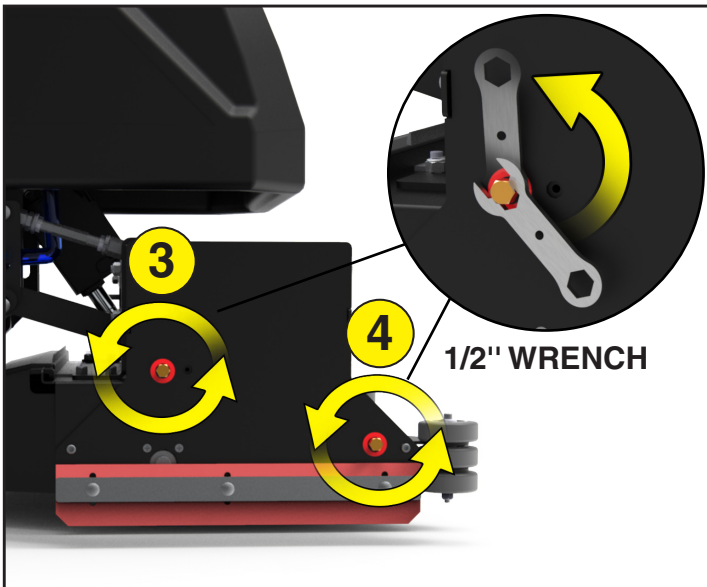
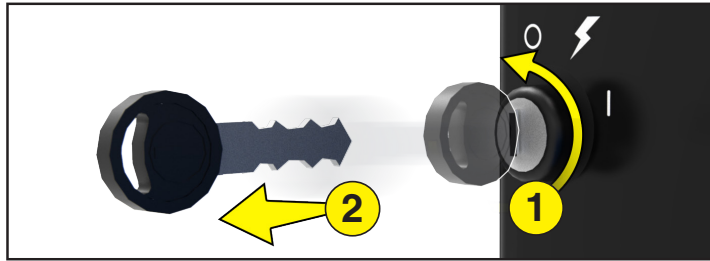
<   
25-HOURS





# WEEKLY MAINTENANCE (<25 HRS)

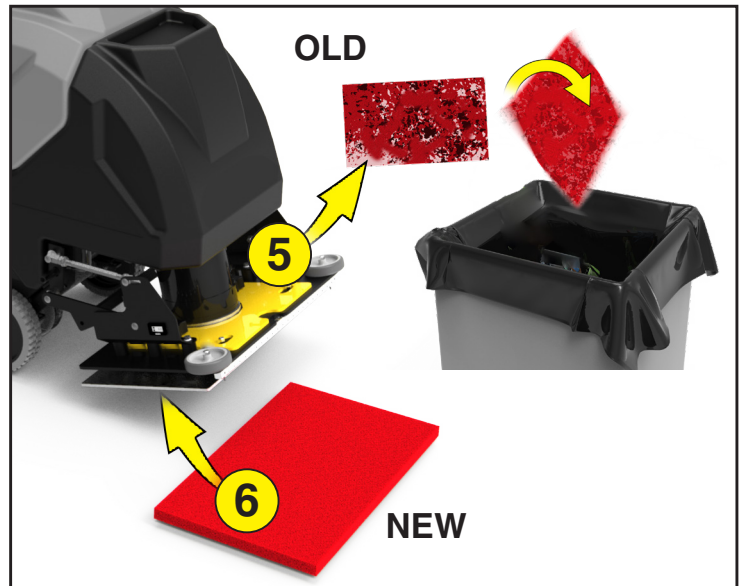
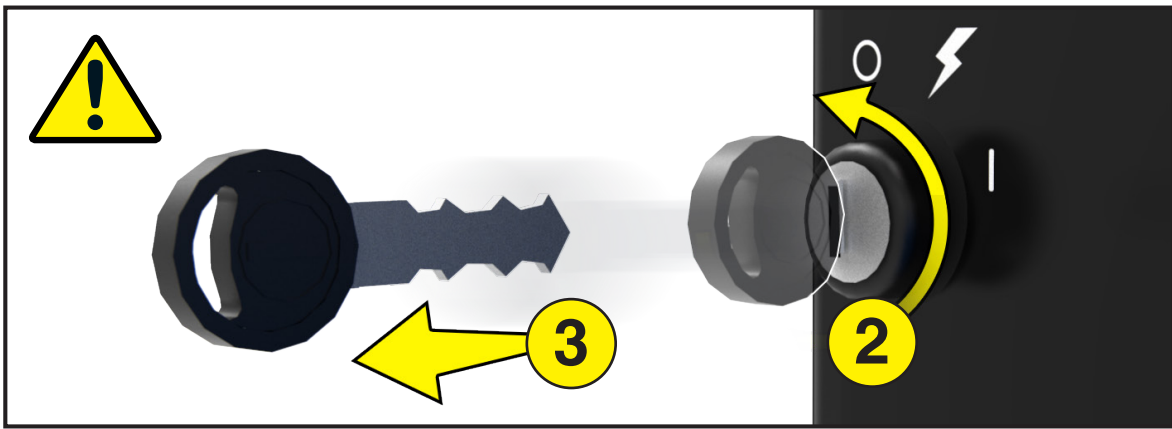
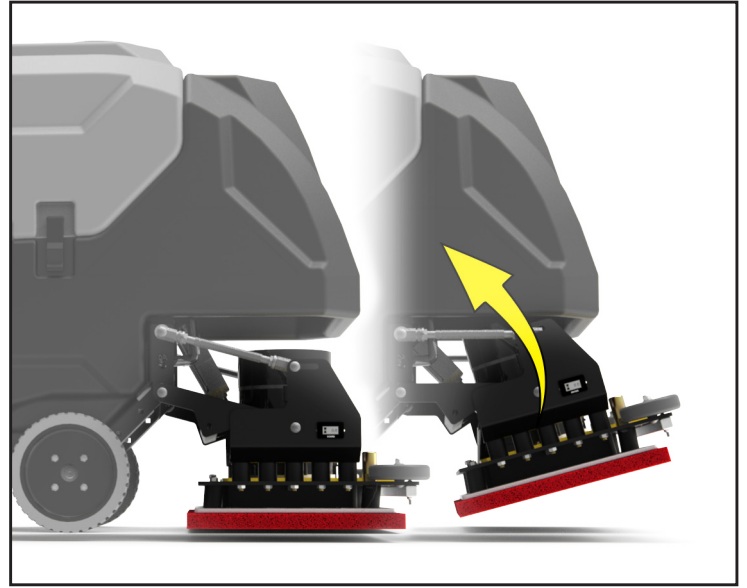
## Rotate Cylindrical Brush

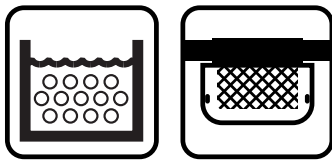


WEEKLY MAINTENANCE (<25 HRS)



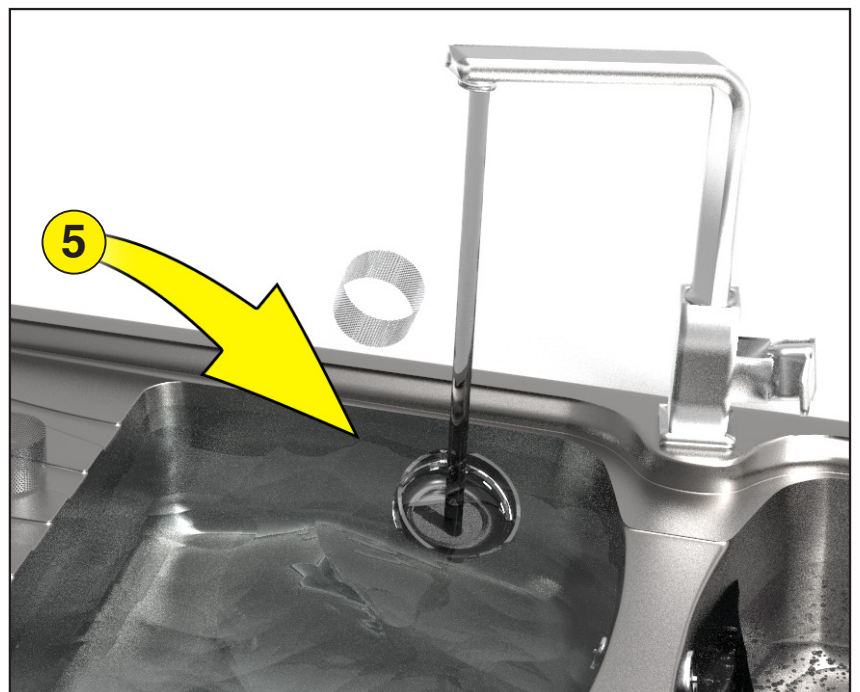
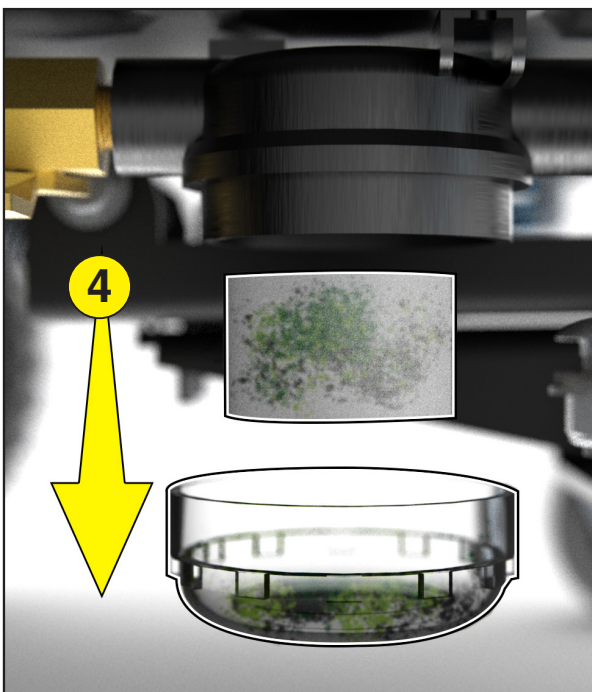
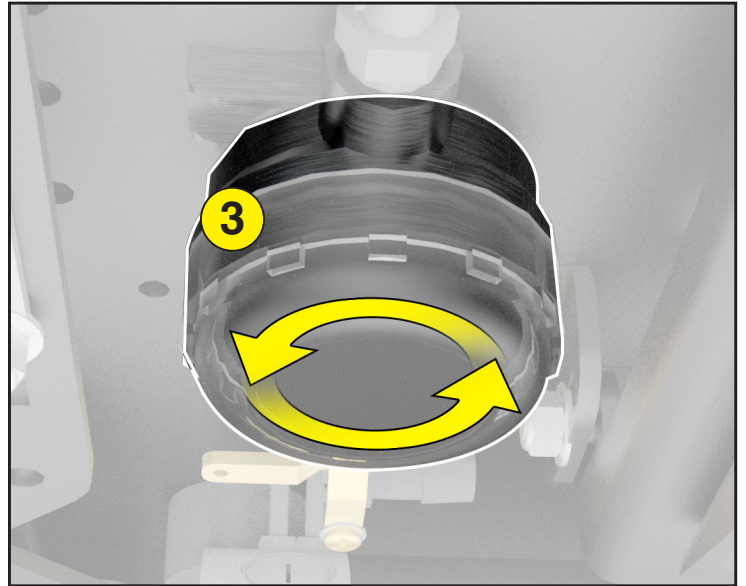
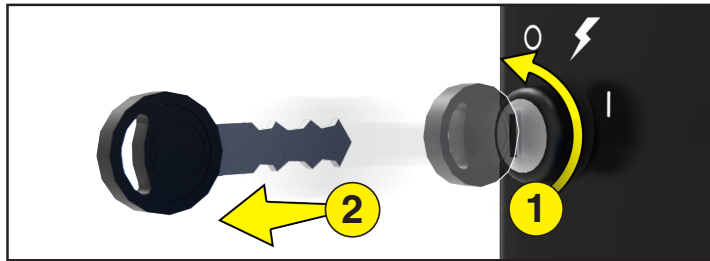
Replace Orbital Pads





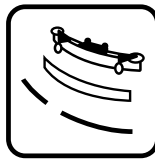
WEEKLY MAINTENANCE (<25 HRS)

Clean Solution Filter

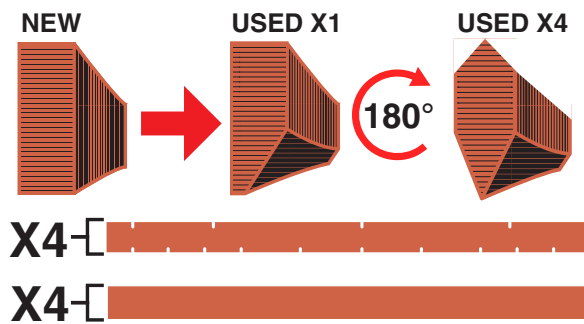
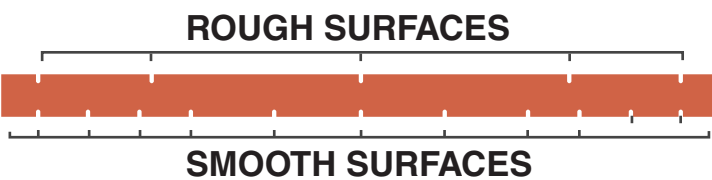
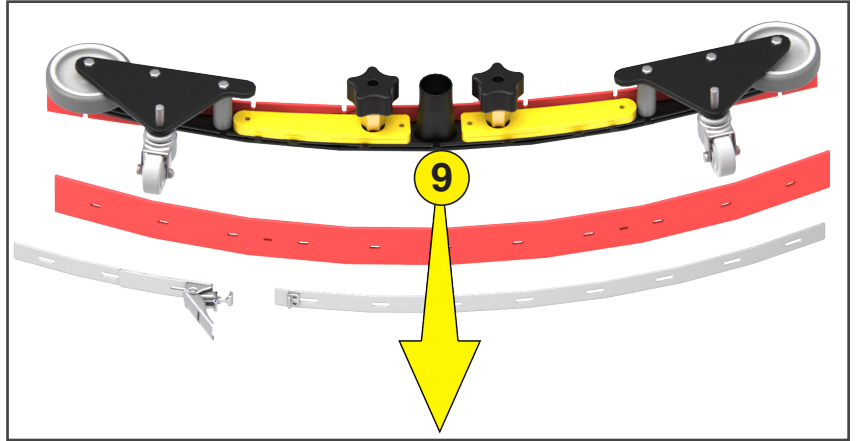
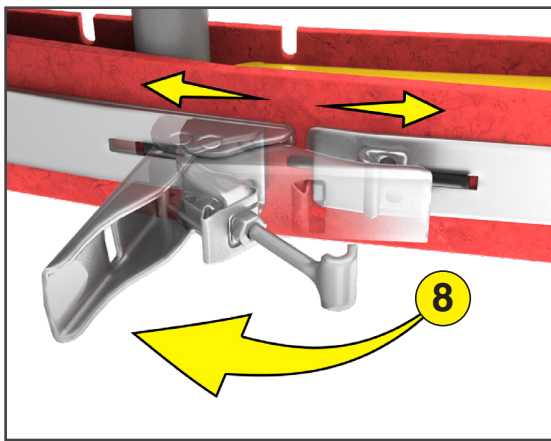
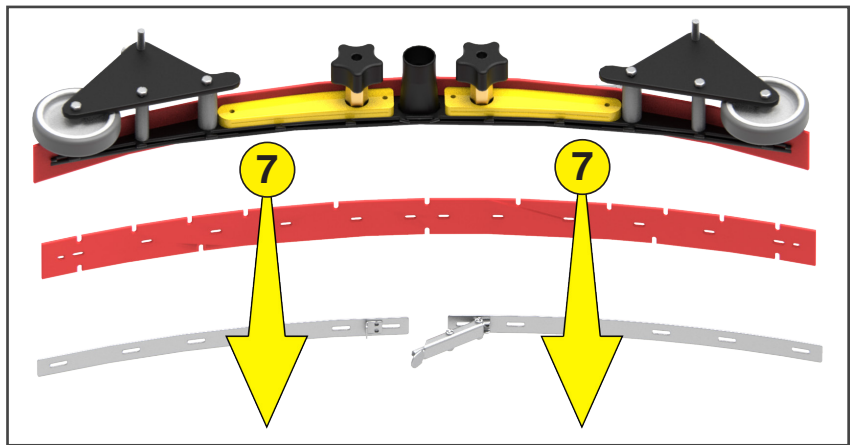
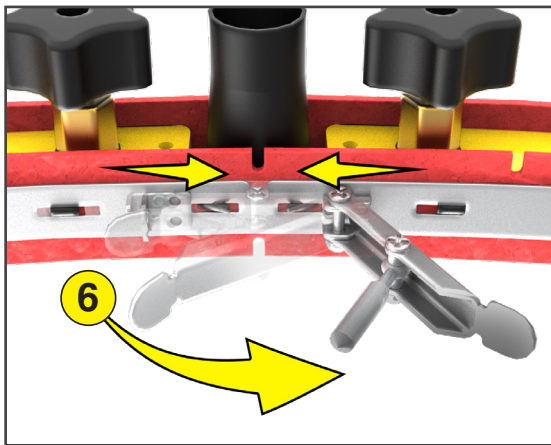
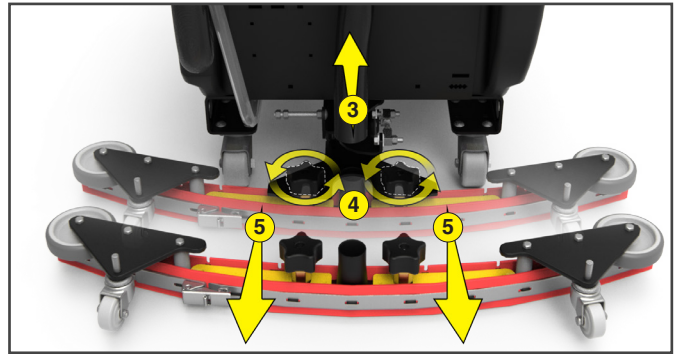
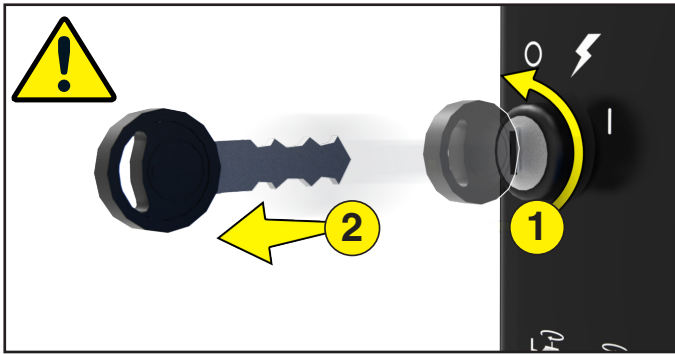




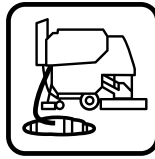
WEEKLY MAINTENANCE (<25 HRS)



Squeegee Blade Replacement

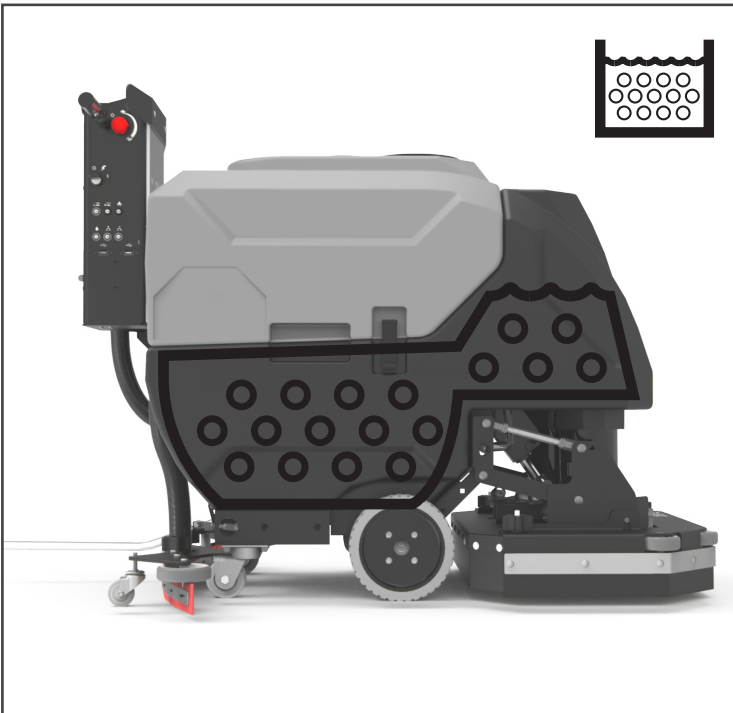
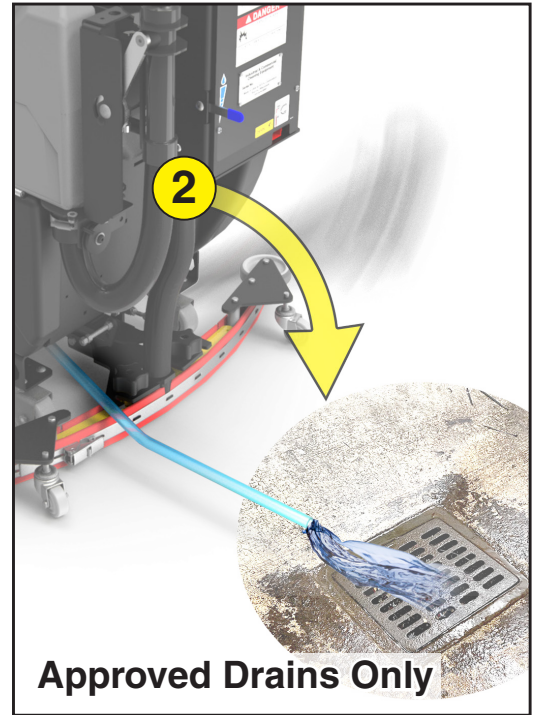
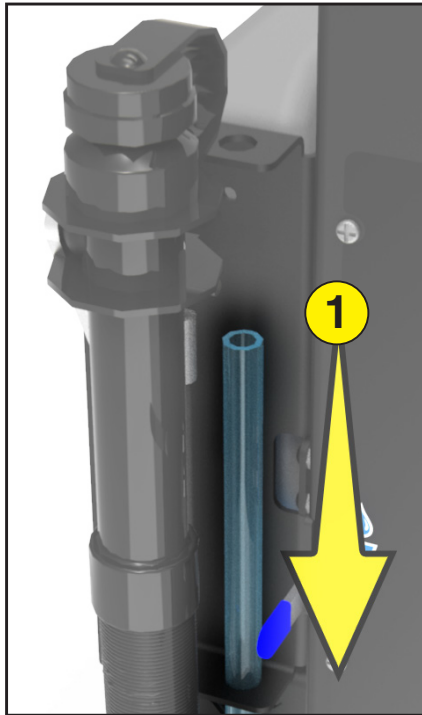






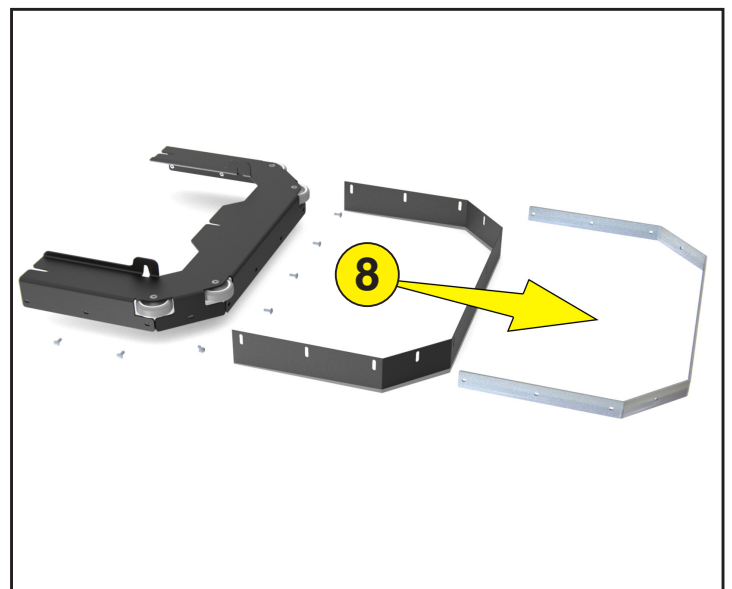
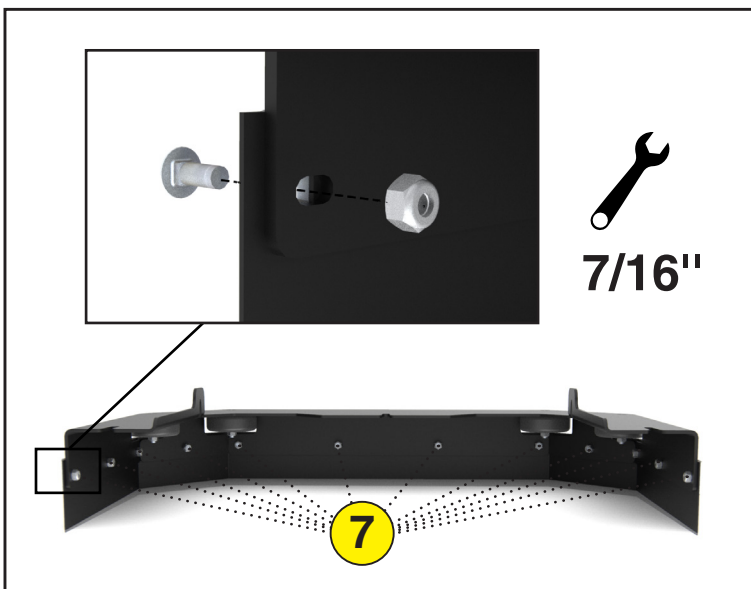
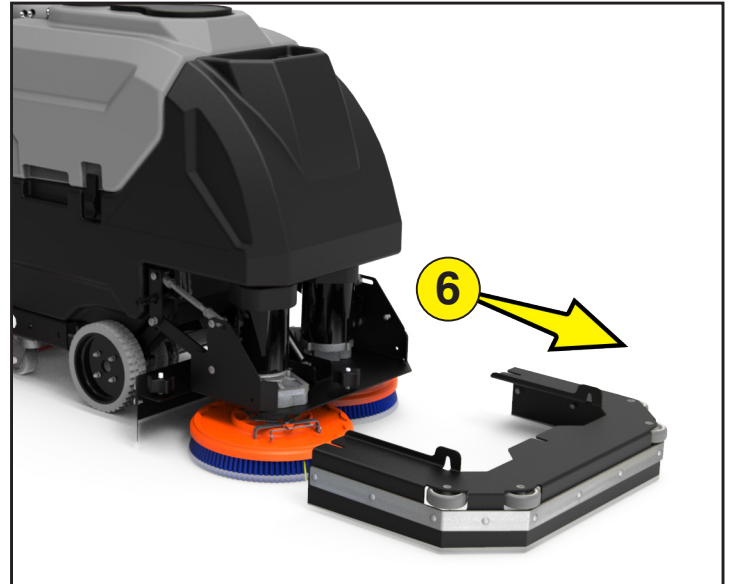
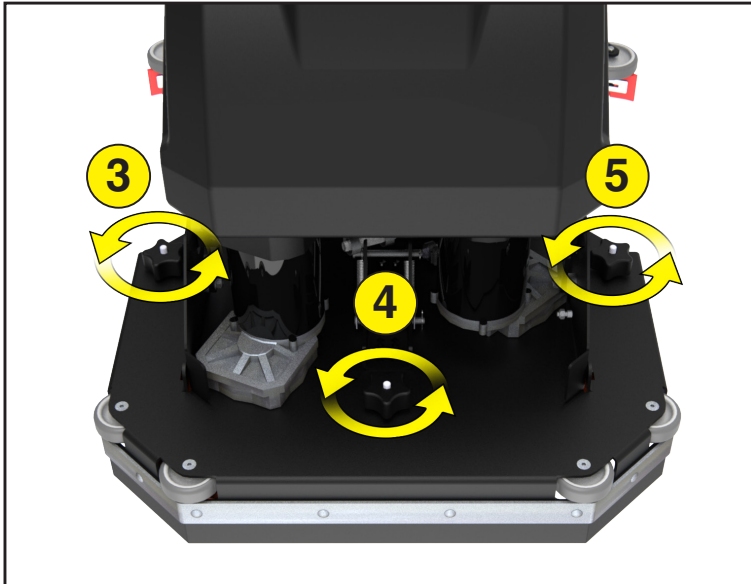
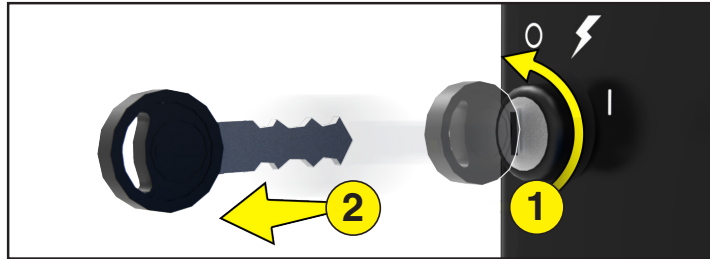
## WEEKLY MAINTENANCE (<25 HRS)

### Drain Solution Tank





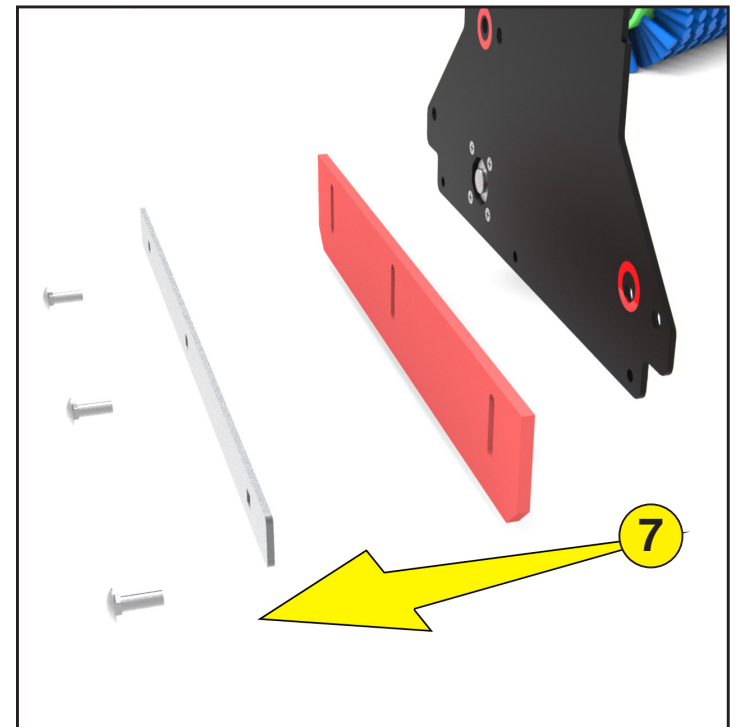
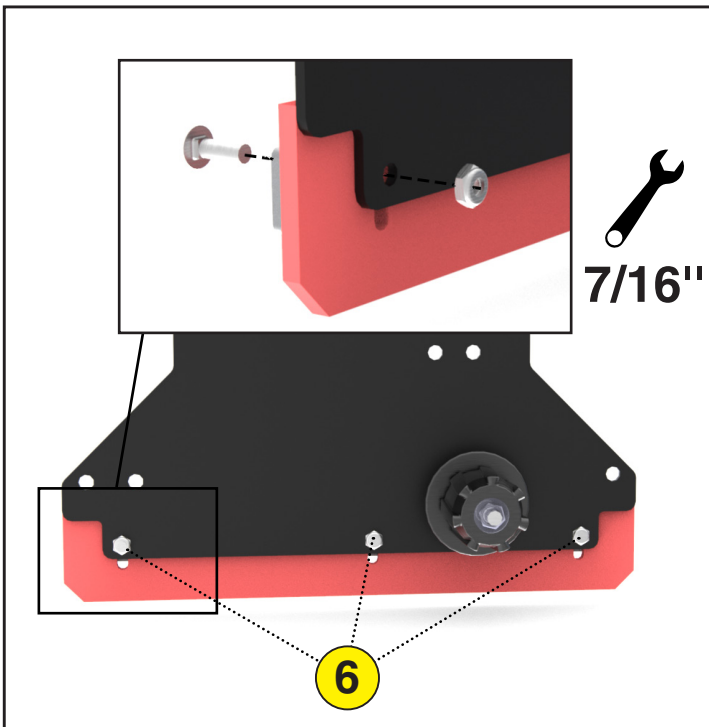
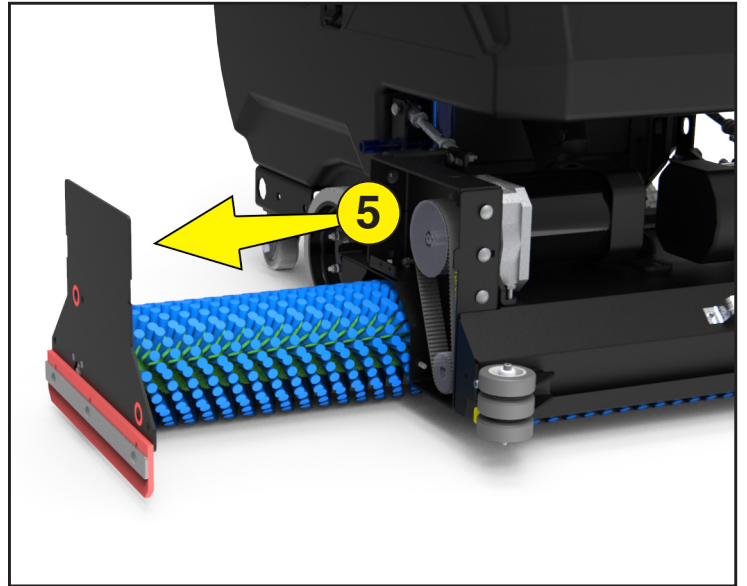
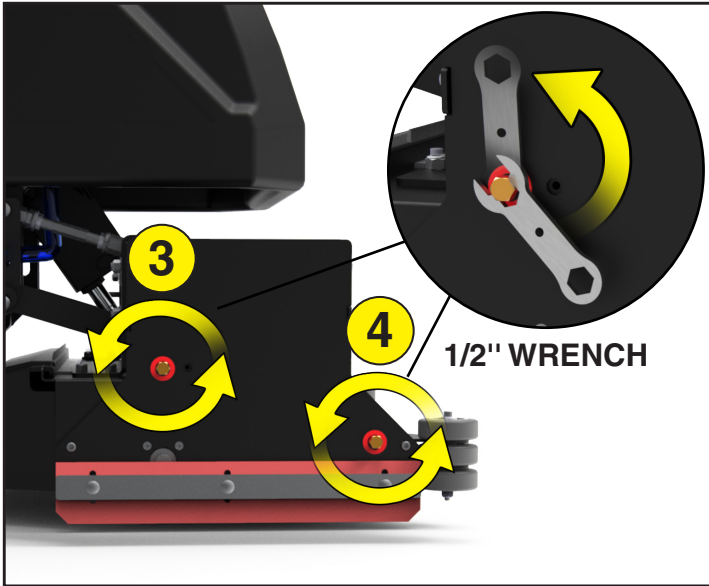
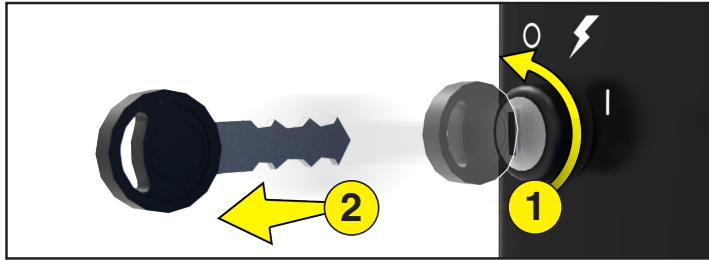
Deck Shroud Curtain Replacement



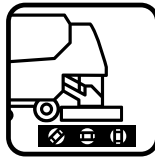


# MONTHLY MAINTENANCE (<100 HRS)

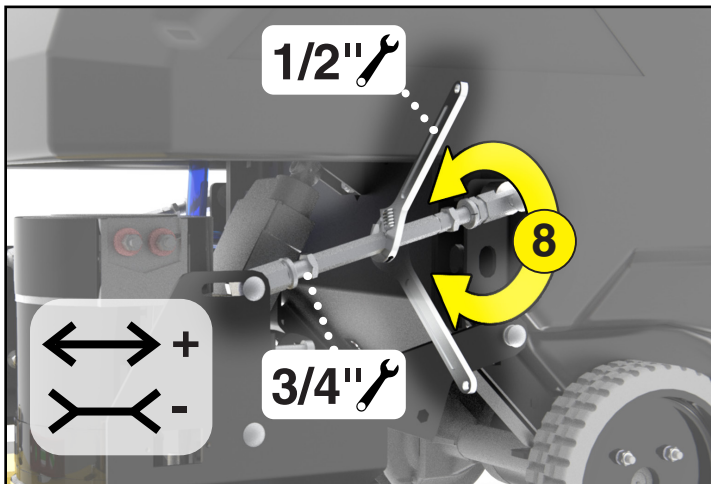
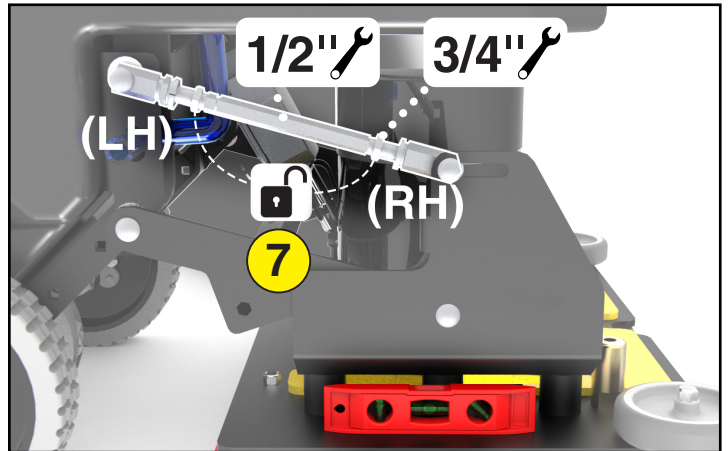
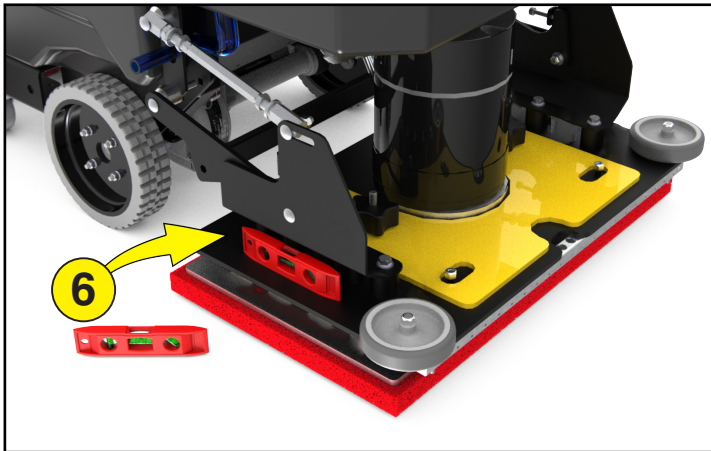
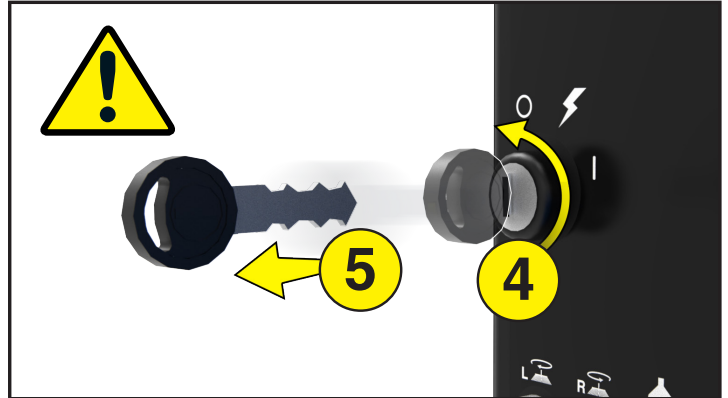
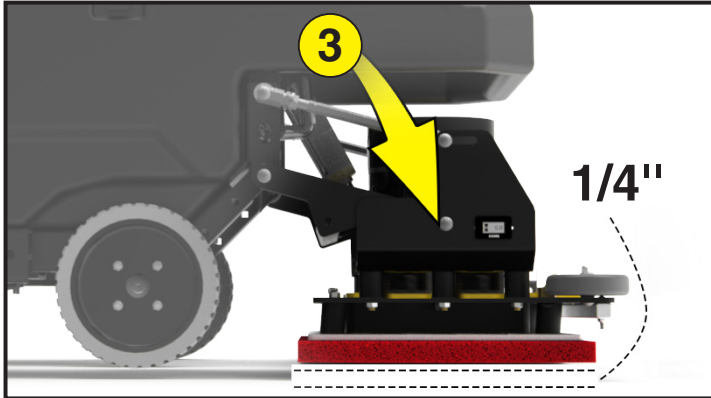
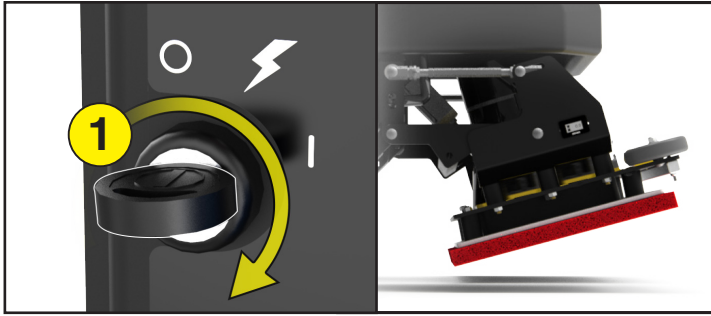
## Cylindrical Side Wiper Replacement



# MONTHLY MAINTENANCE (<100 HRS)



## Deck Leveling





## Common Wear Parts

**EDGE PADS AND SCREENS:**

<b>DESCRIPTION</b>	<b>24"×14" SCRUBDECK</b>	<b>28"×14" SCRUBDECK</b>
White Pad	N/A	EDGE-4054
Red Pad	EDGE-2404	EDGE-4053
Blue Pad	EDGE-2403	EDGE-4052
Green Pad	EDGE-2402	EDGE-4051
Black Pad	EDGE-2401	EDGE-4050
White Driver Pad	N/A	EDGE-4058
60 Grit Sand Screen	N/A	EDGE-4059
80 Grit Sand Screen	N/A	EDGE-4060
100 Grit Sand Screen	N/A	EDGE-4061
120 Grit Sand Screen	N/A	EDGE-4062
150 Grit Sand Screen	N/A	EDGE-4063
400 Grit HD Non Woven Polishing Pad	N/A	300-2014400
800 Grit HD Non Woven Polishing Pad	N/A	300-2014800
1500 Grit HD Non Woven Polishing Pad	N/A	300-20141500
3000 Grit HD Non Woven Polishing Pad	N/A	300-20143000
6000 Grit Diamond Poly Pad	N/A	EDGE-4070
Tile/Grout Renovator Pad	N/A	EDGE-4048
Dominator HD Strip Pad	N/A	EDGE-4055
Maroon ECO Prep Pad	EDGE-2407	EDGE-4056
Microfiber Pad	EDGE-2436	EDGE-6036

## OTHER

### Common Wear Parts

#### ROUND DISK BRUSHES:

### NOTICE

The ## in Disk Column Denotes Desk Pad Size: 14", 16"

BRUSHES	DISK	LEVEL
Midi Grit	706-##C	Medium
Light Grit	706-##PS	Moderate
Nylon	706-##N	Light
Pad Driver	706-##D	
Pad Driver Pad Retainer	#40-433	
Pad Driver Spring Clip	#40-423	

#### ROUND DISK PADS:

### NOTICE

The ## in Disk Column Denotes Desk Pad Size: 14", 16"

DISK PADS	DISK	LEVEL	COLOR
Super Black	##-422BB	Very High	Black
Black	##-422B	High	Black
Brown	##-422BR	High	Brown
Green	##-422G	Medium	Green
Blue	##-422BL	Moderate	Blue
Red	##-422R	Moderate	Red
White	##-422W	Light	White

#### CYLINDRICAL BRUSHES:

BRUSHES	MODEL 26" CYLINDRICAL	MODEL 30" CYLINDRICAL	LEVEL
Midi Grit	75-246C	75-286C	Medium
Light Grit	75-246PS	75-286PS	Moderate
Nylon	75-246N	75-286N	Light

**SQUEEGEE BLADE KITS & COMPLETE SQUEEGEE ASSEMBLIES:**

SQUEEGEE SIZE	24" DECK	26" DECK	28" DECK	30" DECK	32" DECK
41" Squeegee	Optional	Optional	Optional	Standard	Standard

SQUEEGEE SIZE	LINATEX BLADE KIT	GUM RUBBER BLADE KIT	URETHANE BLADE KIT	NANORADE BLADE KIT	COMPLETE SQUEEGEE ASSEMBLIES
41" Squeegee	241-770L	241-770G	241-770U	241-756N	241-7180

SQUEEGEE MATERIAL:	USED FOR:
LINATEX	Provides best wear and tear resistance. Not designed for use with harsh chemicals.
URETHANE	Provides best resistance when dealing with harsh chemicals, oils, fuels, etc.
GUM	Provides best drying performance on rough/grouted floor types by sealing over irregularities. Short life.
NANORADE	Increased durability, optimal water pick up and reduced friction.

**NOTICE**

Squeegee blade kits include (1) Rear Blade, (1) Front Blade, and (2) Caster Wheels with hardware.

**NOTICE**

Squeegee Assemblies (complete) listed above all come with Nanorade blades.

**NOTICE**

Size is denoted by label on top squeegee.

# OTHER

## PM Sheet



CUSTOMER & MACHINE INFORMATION			
Customer:		Email:	
Address:		Phone:	
City:	State:	Zip:	Contact:
Serial #:	Model #:	Work Order #:	

**NOTE: Start with Machine filled at least with ½ Tank of water. Turn ON Machine and Test Functionality of Machine**

CHECK OPERATION & CONDITION OF	IN SPEC	REPAIR	PROBLEM
Key Switch			
Battery Gauge			
Deck Up / Down – Brush Switch			
Brush Pressure +/- Toggle (Optional)			
Vacuum Switch - ON / OFF			
Squeegee Lever - Up/Down			
Solution Switch - ON/OFF			
Solution Flow Lever +/-			
Green Drive Buttons - L & R			
Reverse Toggle Switch			
E-Stop (Optional)			

**NOTE: Drain Solution & Recovery Tank fully. Rinse out Recovery Tank**

CLEAN & INSPECT – SOLUTION TANK	IN SPEC	REPAIR	PROBLEM
Solution Fill Screen - Mesh			
Solution Fill Hose (Optional)			
Solution Inline Filter			
Vacuum Muffler Drain Hose			
Battery Drain Hose			

BRUSH CONDITION – SCRUB DECK			
Deck Curtains/Wipers	Good		Worn Needs Replacement
Brush Sockets: (2-Disk)/(4-Cylindrical)	Good		Worn Needs Replacement
Brush Drivers: (2-Disk)/(4-Cylindrical)	Good		Worn Needs Replacement
Scrub Brush Fiber Length	Brush 1 Length:	Brush 2 Length:	Rotated Brushes: Y / N

CLEAN & INSPECT – SCRUB DECK	IN SPEC	REPAIR	PROBLEM
Scrub Deck Linkage Pivot Points			
Scrub Deck Lift Actuator			
Scrub Deck Level (Orbital Only)			
Scrub Motor Wires			

CLEAN & INSPECT - SQUEEGEE	IN SPEC	REPAIR	PROBLEM
Remove and Wipe off Squeegee			
Check and Rotate Blades as Needed			
Caster Wheels and Height			
Pitch Adjust			
Check Pivot and Knobs			
Squeegee Vac Hose			

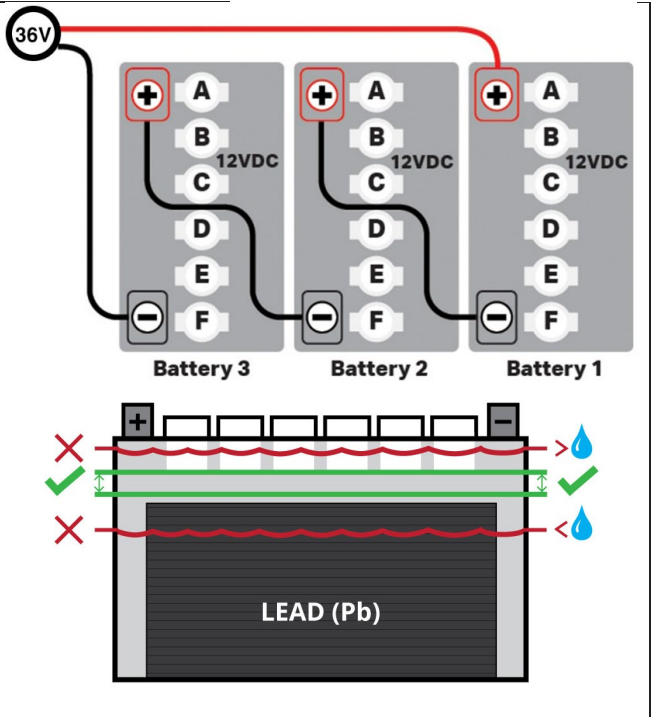
CLEAN & INSPECT – RECOVERY TANK	IN SPEC	REPAIR	PROBLEM
Recovery Tank Lid & Gasket			
Vacuum Float Ball Screen			
Vacuum Box White Filter			
2" Round Final Vac Screen			
Solution Site Tube			

CLEAN & INSPECT – DRIVE	IN SPEC	REPAIR	PROBLEM
Drive Wheels & Casters Condition			
Grease Caster Swivel			





BATTERY #1	HYDROMETER READING	WATER CLARITY (Circle One)		WATER LEVEL (Circle One)		
Cell A		Clear	Dark	Overfilled	Full	Low
Cell B		Clear	Dark	Overfilled	Full	Low
Cell C		Clear	Dark	Overfilled	Full	Low
Cell D		Clear	Dark	Overfilled	Full	Low
Cell E		Clear	Dark	Overfilled	Full	Low
Cell F		Clear	Dark	Overfilled	Full	Low
BATTERY #2	HYDROMETER READING	WATER CLARITY (Circle One)		WATER LEVEL (Circle One)		
Cell A		Clear	Dark	Overfilled	Full	Low
Cell B		Clear	Dark	Overfilled	Full	Low
Cell C		Clear	Dark	Overfilled	Full	Low
Cell D		Clear	Dark	Overfilled	Full	Low
Cell E		Clear	Dark	Overfilled	Full	Low
Cell F		Clear	Dark	Overfilled	Full	Low
BATTERY #3	HYDROMETER READING	WATER CLARITY (Circle One)		WATER LEVEL (Circle One)		
Cell A		Clear	Dark	Overfilled	Full	Low
Cell B		Clear	Dark	Overfilled	Full	Low
Cell C		Clear	Dark	Overfilled	Full	Low
Cell D		Clear	Dark	Overfilled	Full	Low
Cell E		Clear	Dark	Overfilled	Full	Low
Cell F		Clear	Dark	Overfilled	Full	Low



CLEAN & INSPECT - BATTERIES	IN SPEC	REPAIR	PROBLEM
Battery Terminals			
Battery Cables			
Torque Battery Nuts 11ft/lbs			

OPERATE & CONFIRM	IN SPEC	REPAIR	PROBLEM
Fill Solution Tank - 3/4 Full			
Scrub & Dry			
Fine Tune Squeegee Adjustments			

**COMMENTS & RECOMMENDATIONS**

---



---



---



---



---



---



---



---



---



---

Servicing Distributor:

Technician's Name:	Date:	Signature:
Customer's Name:	Date:	Signature:

## OTHER

### Battery Chargers

#### Console / WET / Domestic Chargers:



**AC Power IN:** 120VAC / 60Hz  
**DC Power OUT:** 36VDC / 25A

Please refer to OEM Charger Operating Instructions for more information.



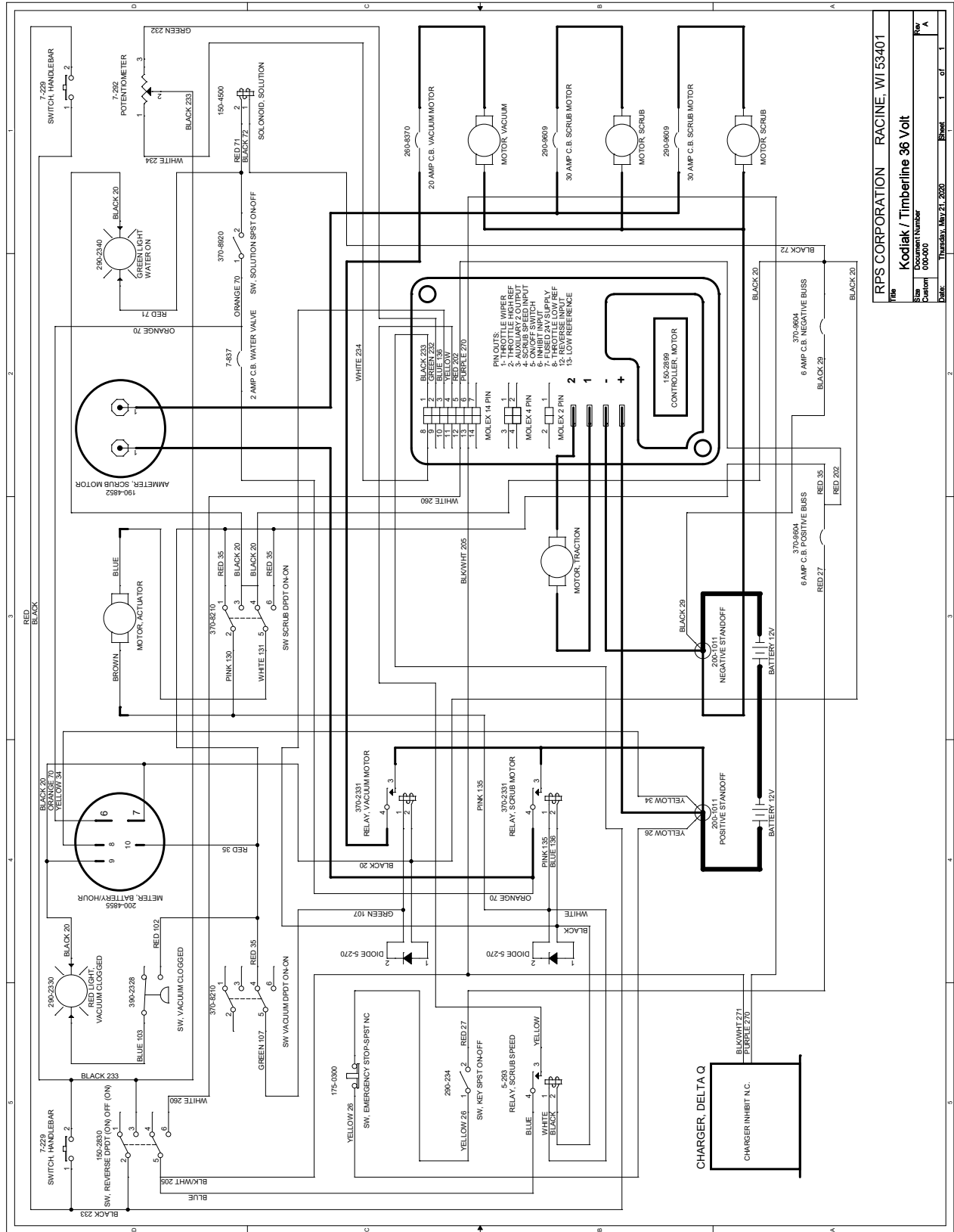
#### Onboard / AGM / International Chargers:



**AC Power:** 80-270VAC / 50-60Hz  
**DC Power OUT:** 36VDC / 18A

Please refer to OEM Charger Operating Instructions for more information.






















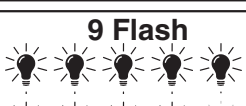

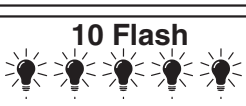
RPS CORPORATION RACINE, WI 53401  
Kodjak / Timberline 36 Volt  
Doc# 000-000  
Sheet 1 of 1

## OTHER

### Status Light Error Codes

#### Status Light Guide

Below is a list of self-help actions. Try to use this list before you contact your service agent. Go to the number in the list which matches the number of indicator light flashes and follow the instructions.

<b>1 Flash</b>  	The battery needs charging, there is a bad connection to the battery or dependent on programming, may indicate that the battery lockout function is active and the controller is in a restricted mode of operation. Check the connections to the battery. If the connections are good, try charging the battery.
<b>2 Flash</b>  	There is a bad connection to the motor. Check all connections between the motor and the controller.
<b>3 Flash</b>  	The motor has a short circuit to a battery connection. Contact your service agent.
<b>4 Flash</b>  	The battery charge level has fallen below the Battery Lockout Level and the controller is inhibiting certain machine functions. Charge the battery.
<b>5 Flash</b>  	Not Used.
<b>6 Flash</b>  	The controller is being inhibited from driving, this may be because the battery charger is connected.
<b>7 Flash</b>  	A throttle fault is indicated. Make sure that the throttle is in the rest position before switching on the machine.
<b>8 Flash</b>  	A controller fault is indicated. Make sure that all connections are secure.
<b>9 Flash</b>  	The parking brakes have a bad connection. Check the parking brake and motor connections. Make sure the controller connections are secure.
<b>10 Flash</b>  	An excessive voltage has been applied to the controller. This is usually caused by a poor battery connection. Check the battery connections.

















## Status Light Codes after #125571

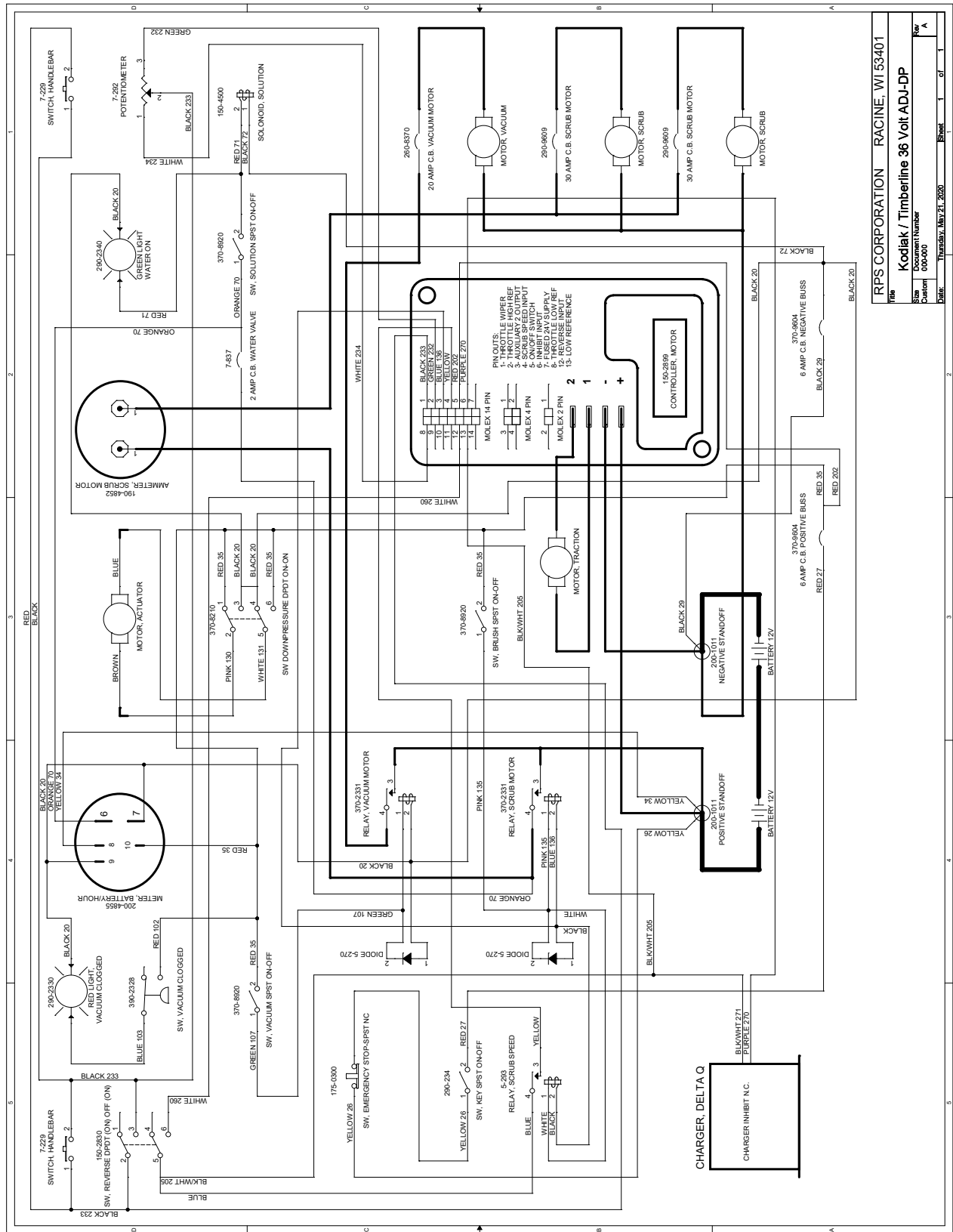
### Status Light Guide

Below is a list of self-help actions. Try to use this list before you contact your service agent. Go to the number in the list which matches the number of indicator light flashes and follow the instructions.

#### Flash

<b>x1</b> 	Motor Overcurrent Error (shutdown). The controller stopped the motor to protect the drive due to excessive current peak Restart the controller by cycling the keyswitch
<b>x2</b> 	Max temperature Error. The controller stopped the motor due to excessive temperature of the electronic power stage. Restart the controller by cycling the keyswitch after allowing the controller to cool down.
<b>x3</b> 	Motor I2T Error. The controller stopped the motor because the current was detected above the defined setpoint beyond the set time. Restart the controller by cycling the keyswitch after allowing the controller to cool down.
<b>x4</b> 	Battery voltage Error (value above minimum setpoint). The controller stopped the motor for insufficient battery voltage. Restart the controller by cycling the keyswitch after charging the battery.
<b>x5</b> 	Battery voltage Error (value above maximum setpoint). The controller stopped the motor for too high battery voltage. Restart the controller by cycling the keyswitch after restoring the normal battery level.
<b>x8</b> 	Battery threshold 4 warning. Voltage under the battery threshold 4. to restore, verify the battery voltage and then restart the controller.
<b>x12</b> 	Current threshold Error. The current absorbed by the motor was higher than the limiting current setpoint.Restart the controller by cycling the keyswitch.
<b>x13</b> 	Current throttling Error (time ended). The current absorbed by the motor was higher than the limiting current setpoint for longer than set. Restart the controller by cycling the keyswitch.
<b>x15</b> 	Motor disconnected Error. Current threshold Error. The current absorbed by the motor was higher than the limiting current setpoint.Restart the controller by cycling the keyswitch.
<b>x16</b> 	Maximum peak battery Error. The controller detected the battery ADC value higher than the setpoint. Restart the controller by cycling the keyswitch after checking the battery.
<b>x17</b> 	Minimum peak battery Error. The controller detected the battery ADC value lower than the setpoint. Restart the controller by cycling the keyswitch after checking the battery.
<b>x23</b> 	Potentiometer fault Error. The controller detected a potentiometer value reading not correct. Restart the controller by cycling the keyswitch after checking the potentiometer wire/ functionality.
<b>x26</b> 	Motor HW current limit Error. This error indicates that the controller is detecting shutdown signals due to high current. To restore verify the traction motor and the cables and then restart the machine.
<b>x27</b> 	Charger Inhibit warning. When the charger is giving inhibit signal the controller disables all normal functionalities and goes in an error state. To restore the standard functionality, disconnect the Charger from the AC plug and be sure the inhibit signal from the charger to the controller is removed.

Schematics Adjusted Down Pressure



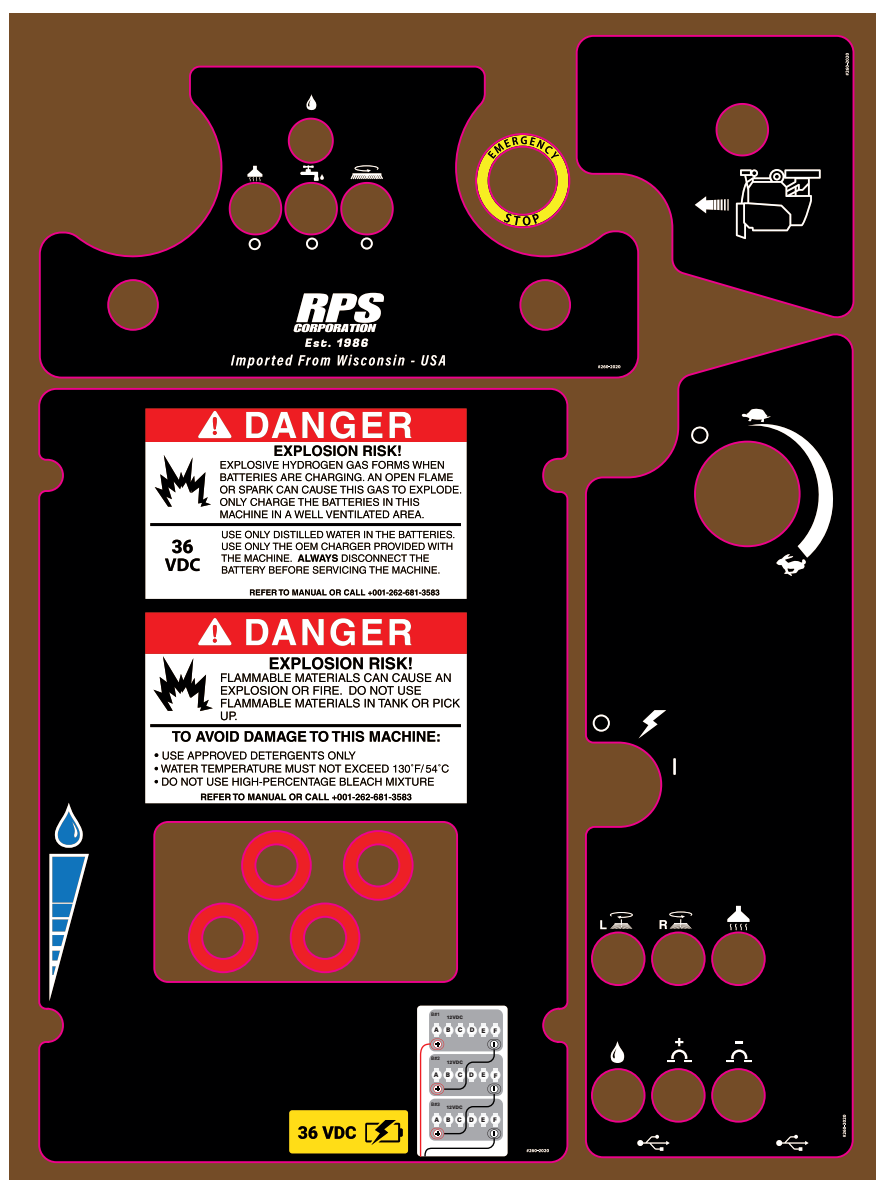
RPS CORPORATION RACINE, WI 53401  
Kodjak / Timberline 36 Volt ADJ-DP  
Doc# 000-000  
Sheet 1 of 1



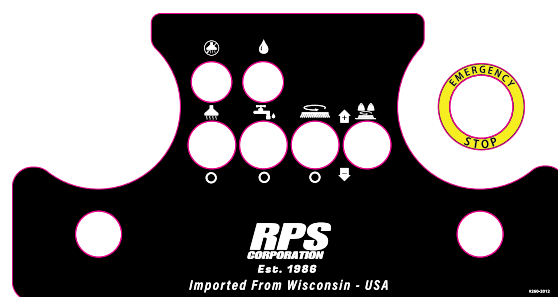
P# 260-1527



P# 260-7201



P# 260-2020



P# 260-2012



P# 260-028D



P# 260-032D



P# 260-026C



P# 260-030C



P# 260-024O



P# 260-028O

**BLANK**

THIS PAGE WAS INTENTIONALLY LEFT BLANK



**BLANK**

THIS PAGE WAS INTENTIONALLY LEFT BLANK



[www.timberlineclean.com](http://www.timberlineclean.com)  
1711 South Street  
Racine, WI 53404 (USA)  
262-833-4040 | (877) 401-0730  
© 2023 RPS Corporation

V23265  
T-XL-SERIES-OP-EN