

Parts Manual (EN)

Models:

20", 26" & 28" Disk
26" Cylindrical
20", 24" & 28" Orbital



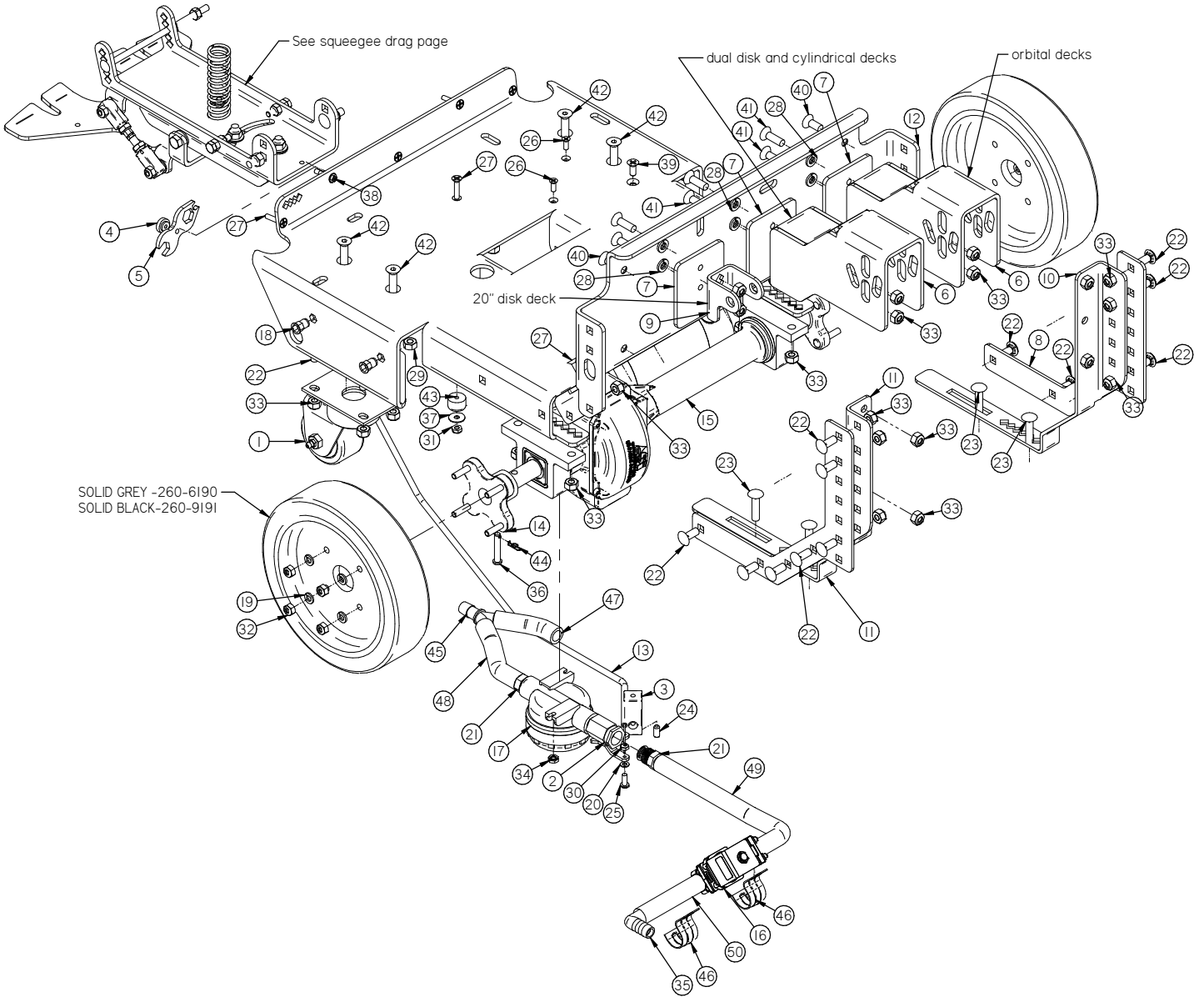
Read the Operators Manual
before using the machine.



Read the Safety Messages
before servicing machine.

CONTENTS

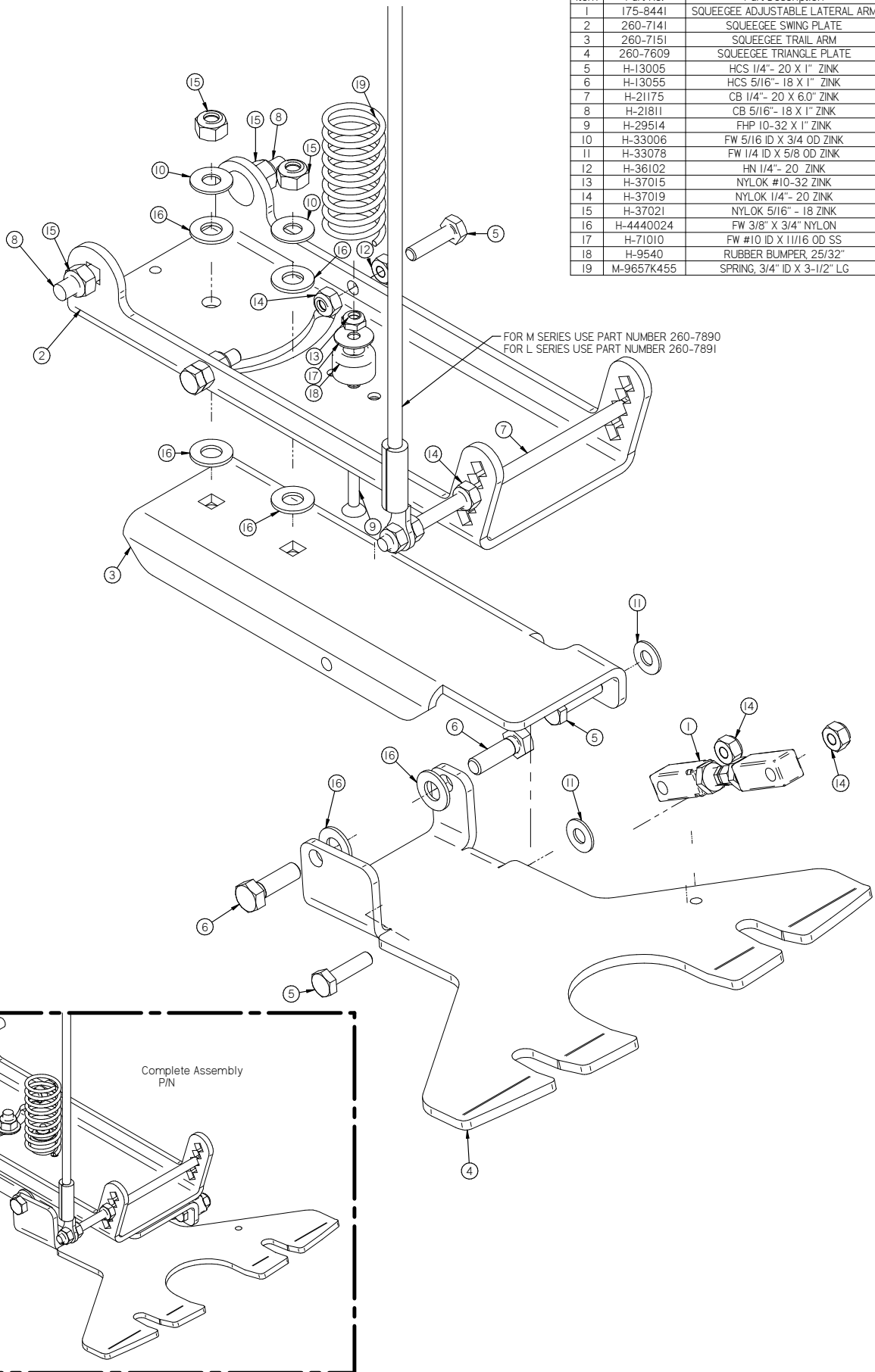
Frame3
Squeegee Trail Arm4
20 Inch Disk Scrub Deck5
26 Inch Disk Scrub Deck.6
28 Inch Disk Scrub Deck.7
26 And 28 Inch Disk Shroud.8
Orbital Lift Arm.9
20 Inch Orbital Deck 10
24 Inch Orbital Deck 11
28 Inch Orbital Deck 12
26 Inch cylindrical Deck 13
Cylindrical Deck Door 14
Cylindrical Deck Arm. 15
Solution Tank Assembly 16
Recovery Tank Assembly. 17
Squeegee Lift Bracket 18
Central Command 19
Battery Pack And Chargers 20
Options 21
Squeegees 22
Common Wear Parts 23



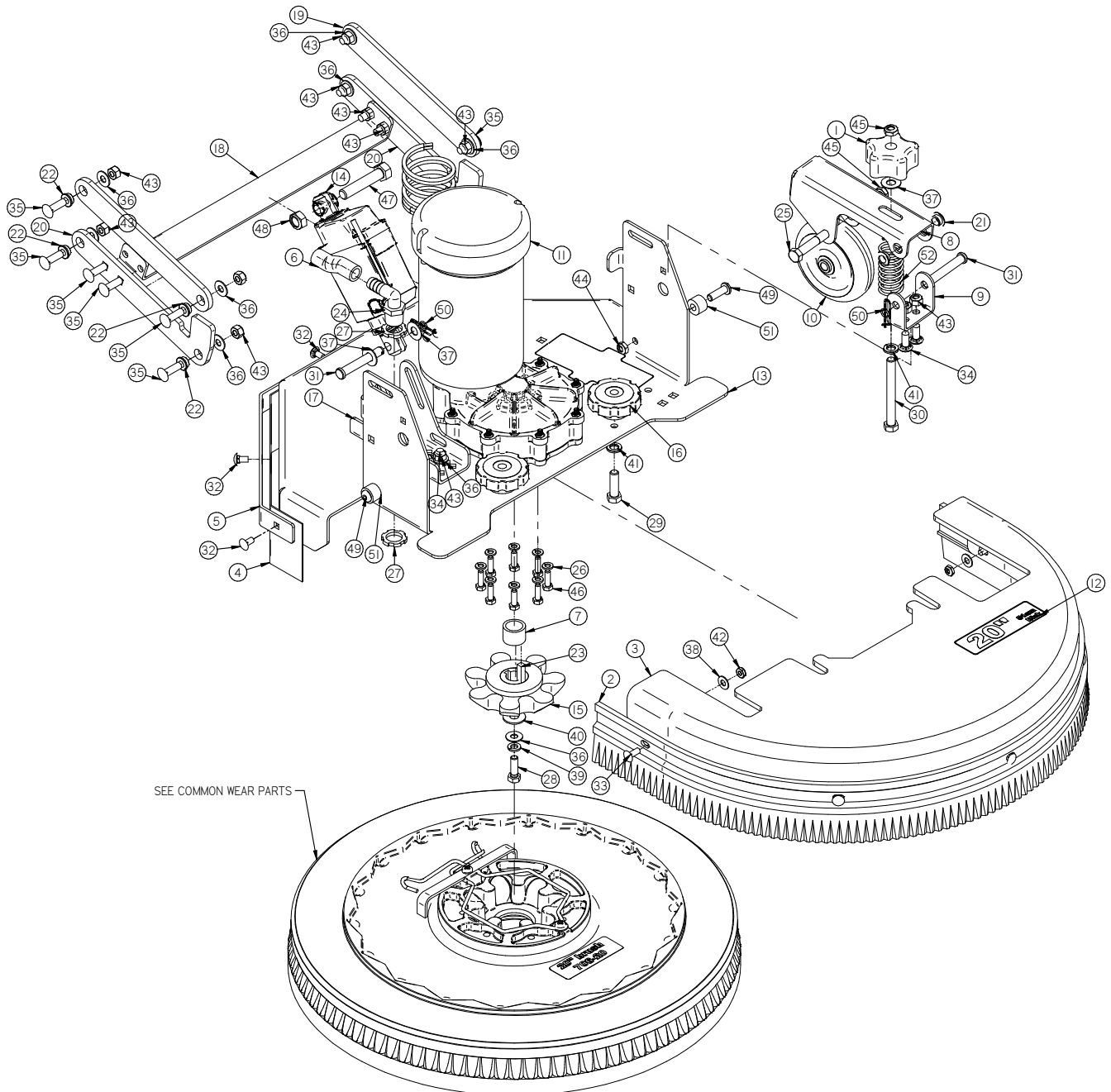
Item	Part No.	Part Description	Qty.	Item	Part No.	Part Description	Qty.
1	150-3030	CASTER	2	26	H-29506	FHP #10-32 X 1/2" ZINC	2
2	150-4158	BALL VALVE, 3/8"	1	27	H-29514	FHP 10-32 X 1" ZINC	11
3	150-9131	CABLE GUIDE	1	28	H-33620	LW 5/16" ZINC	6
4	175-4180	YELLOW KNOB	1	29	H-36104	HN 5/16"- 18 ZINC	8
5	260-0001	THREE IN ONE TOOL	1	30	H-37010	NYLOK #6-32 SS	1
6	260-0990	LIFTING BRACKET	2	31	H-37015	NYLOK #10-32 ZINC	1
7	260-0995	THREADED PLATE	3	32	H-37019	NYLOK 1/4"- 20 ZINC	12
8	260-1003	FRAME BRACE	2	33	H-37021	NYLOK 5/16" - 18 ZINC	39
9	260-1006	LIFTING BRACKET	1	34	H-37408	KN #10-32 ZINC	2
10	260-1008	LEFT 24V FRAME BRACKET	1	35	H-54635	1/2 X 1/2 X 90 BARBED ELBOW, NYLON	1
11	260-1009	RIGHT 24V FRAME BRACKET	1	36	H-66029	1/4" X 1 3/8" CLEVIS PIN	2
12	260-1101	FRAME BASE (24V)	1	37	H-71010	FW #10 ID X 11/16 OD SS	1
13	260-2013	PUSH PULL CABLE GUIDE	1	38	H-72534	PPH #10-32 X 3/4" S/S	1
14	260-3001D	TRANS AXLE HUB	2	39	H-94223	FHP 1/4"- 20 X 5/8" ZINC	1
15	260-3009	TRANS AXLE (24V)	1	40	H-94254	FHSCS 5/16"- 18 X 3/4" ZINC	4
16	260-4500	24V VALVE	1	41	H-94256	FHSCS 5/16"- 18 X 1" ZINC	6
17	370-9130	INLINE FILTER	1	42	H-94267	FHSCS 5/16"- 18 X 4-1/4" ZINC	4
18	H-00918	HCN 1/4"-20 LG	4	43	H-9540	RUBBER BUMPER, 25/32"	2
19	H-0157797	LW 1/4" ZINC	8	44	H-RUE8	RUE RING COTTER	2
20	H-0159717	FW #6 ZINC	1	45	M-5463K727	WYE, 1/2", NYLON	1
21	H-04763	.375 NPT X .50 BARB	2	46	M-9434T22	1.0 DIA One Hole Tube Clamp	2
22	H-21810	CB 5/16"- 18 X 3/4" ZINC	20	47	T-050C6000	BULK 1/2" ID X 5' CLEAR SOLUTION HOSE	1
23	H-21812	CB 5/16"- 18 X 1-1/4" ZINC	4	48	T-050C6000	BULK 1/2" ID X 5' CLEAR SOLUTION HOSE	1
24	H-25382	SETSCREW, KCP, 1/4"-20 X 1/2"	1	49	T-050C6000	BULK 1/2" ID X 5' CLEAR SOLUTION HOSE	1
25	H-28804	PPH #6-32 X 1/2" ZINC	1	50	T-050C6000	BULK 1/2" ID X 5' CLEAR SOLUTION HOSE	1

SQUEEGEE TRAIL ARM

Item	Part No.	Part Description	Qty.
1	175-8441	SQUEEGEE ADJUSTABLE LATERAL ARM	1
2	260-7141	SQUEEGEE SWING PLATE	1
3	260-7151	SQUEEGEE TRAIL ARM	1
4	260-7609	SQUEEGEE TRIANGLE PLATE	1
5	H-13005	HCS 1/4"- 20 X 1" ZINK	4
6	H-13055	HCS 5/16"- 18 X 1" ZINK	2
7	H-21175	CB 1/4"- 20 X 6.0" ZINK	1
8	H-21811	CB 5/16"- 18 X 1" ZINK	4
9	H-29514	FHP 10-32 X 1" ZINK	1
10	H-33006	FW 5/16 ID X 3/4 OD ZINK	2
11	H-33078	FW 1/4 ID X 5/8 OD ZINK	2
12	H-36102	HN 1/4"- 20 ZINK	2
13	H-37015	NYLOK #10-32 ZINK	1
14	H-37019	NYLOK 1/4"- 20 ZINK	7
15	H-37021	NYLOK 5/16"- 18 ZINK	6
16	H-4440024	FW 3/8" X 3/4" NYLON	6
17	H-71010	FW #10 ID X 11/16 OD SS	1
18	H-9540	RUBBER BUMPER, 25/32"	1
19	M-9657K455	SPRING, 3/4" ID X 3-1/2" LG	1

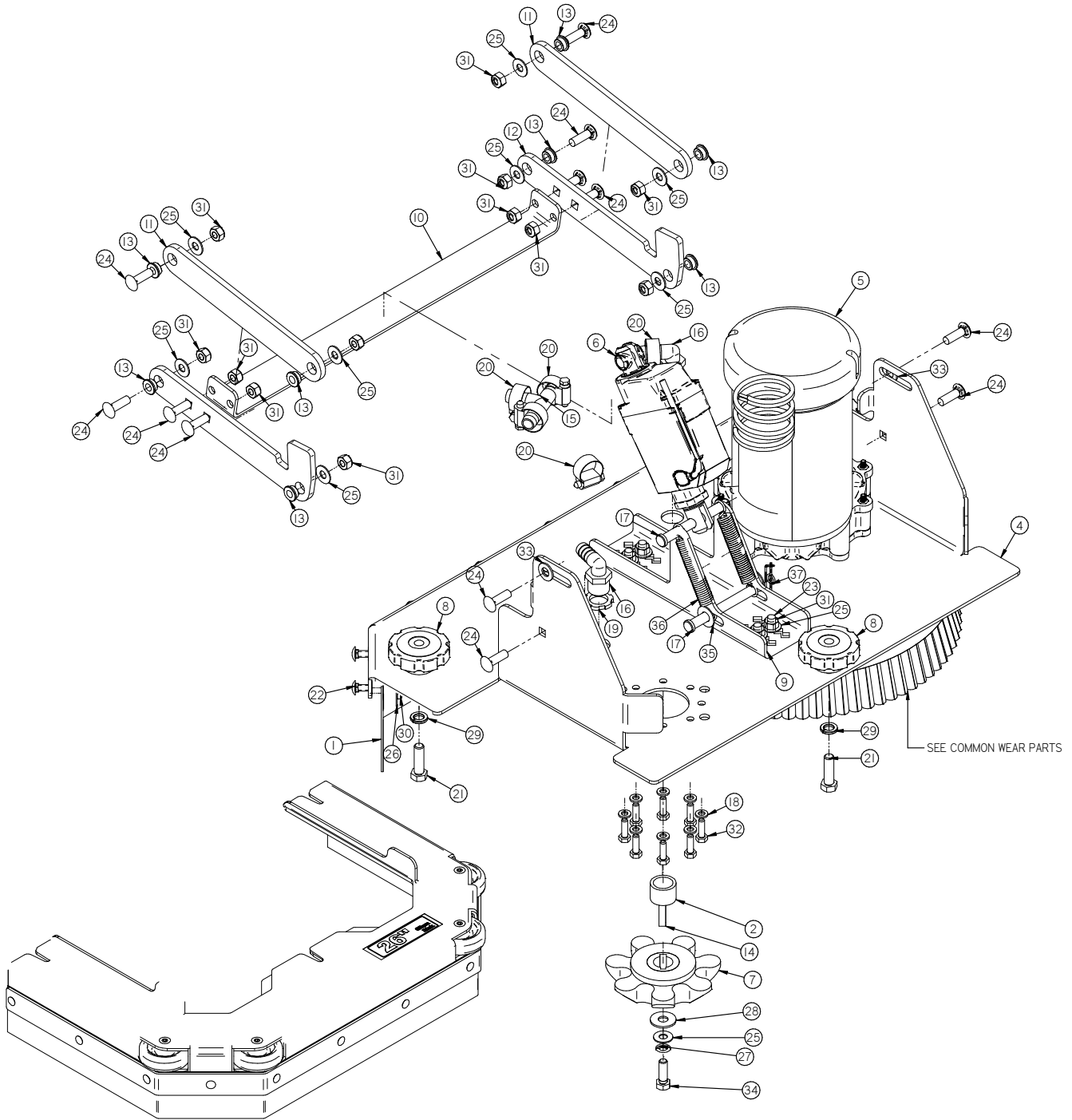


20 INCH DISK SCRUB DECK



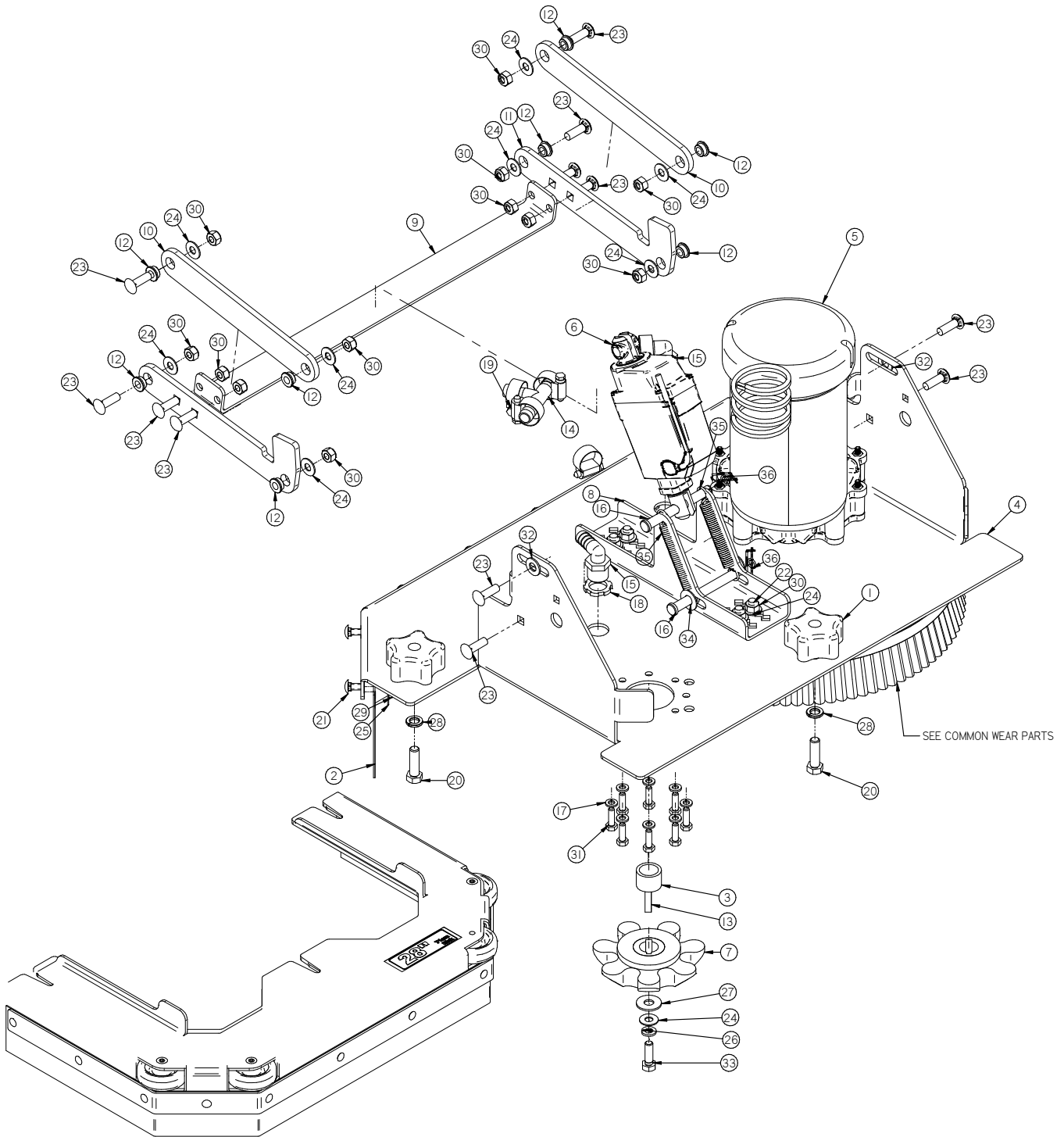
Item	Part No.	Part Description	Qty.	Item	Part No.	Part Description	Qty.
1	150-5786	STAR KNOB, 3/8-16 THREAD	1	27	H-07005	1/2" NPT LOCKNUT	2
2	170-0015	SHROUD CURTAIN 20"	1	28	H-13055	HCS 5/16"- 18 X 1" ZINK	1
3	170-1141	DISK DECK SHROUD, 20"	2	29	H-13107	HCS 3/8"- 16 X 1-1/4" ZINK	2
4	170-1166	DISK DECK CURTAIN, 20"	1	30	H-13819	HCS 3/8"- 16 X 3-1/2" SS	1
5	170-1170	DISK CURTAIN BAND, 20"	1	31	H-15675	CLEVIS PIN, 3/8" X 2-1/2"	2
6	170-1601	1/2" ID X 2-3/4" LG WIRE REINF. CLEAR TUBE	1	32	H-21795	CB 1/4"- 20 X .5" ZINK	5
7	175-5005	DRIVER SPACER	1	33	H-21800	CB 1/4"- 20 X 5/8" ZINK	5
8	190-1030	DECK WHEEL PIVOT BRACKET	1	34	H-21810	CB 5/16"- 18 X 3/4" ZINK	6
9	190-1035	DECK WHEEL PIVOT SUPPORT	1	35	H-21811	CB 5/16"- 18 X 1" ZINK	12
10	190-3020	4.0" WHEEL (RED)	1	36	H-33006	FW 5/16 ID X 3/4 OD ZINK	13
11	260-0201		1	37	H-33008	FW 3/8 ID X 7/8 OD ZINK	3
12	260-020D	20 INCH DISK STICKER	1	38	H-33078	FW 1/4 ID X 5/8 OD ZINK	5
13	260-1120	20" DISK DECK	1	39	H-33620	LW 5/16" ZINK	1
14	260-2210	2-1/2 INCH STROKE ACTUATOR (24V)	1	40	H-33622	FW 3/8" ZINK NOM ID .4375 X OD 1.0	1
15	260-5000	BRUSH DRIVER RED HARD COAT [L7-LOBE.]	1	41	H-33622	LW 3/8" ZINK	3
16	260-5786	STAR KNOB, 3/8-16 THREAD	2	42	H-37020	JNYL 1/4" - 20 ZINK	10
17	260-9002	20 INCH DISK LIFTING BRACKET	1	43	H-37021	NYLOK 5/16" - 18 ZINK	18
18	260-9579	LIFT ARM CROSS BAR 20" DISK	1	44	H-37023	JNYL 5/16"- 18 ZINK	2
19	260-9585	UPPER LATERAL ARM, DISK	2	45	H-37026	JNYL 3/8- 16 ZINK	2
20	260-9586	LATERAL ARM, DISK	2	46	H-38564	M6 METRIC BOLT	8
21	290-1233	3/8" ID, 1/2" OD, 1/4" LG BEARING	2	47	H-38712	HCS M12-1.75 X 60MM ZINK	1
22	370-1247	BUSHING 5/16 X 1/2 X 3/16	8	48	H-40171	NYLOK M12-1.75 ZINK	1
23	5-431	1/4" X 1" KEY	1	49	H-94071	BHSCS 5/16-18 X 1 ZINK	2
24	5-447	1/2 NPT X 1/2" BARB ELBOW	1	50	H-RUE14	3/8" RUE RING COTTER	2
25	H-	HCS 3/8"- 16 X 2-1/4" ZINK	1	51	M-92825A201	.325" ID X 3/4" OD X 1/2" LDPE SPACER	2
26	H-0157797	LW 1/4" ZINK	8	52	M-9657K455	SPRING, 1/2" ID X 2-1/2" LG	1

26 INCH DISK SCRUB DECK



Item	Part No.	Part Description	Qty.	Item	Part No.	Part Description	Qty.
1	175-1076	26" REAR DECK CURTAIN	1	19	H-07005	1/2" NPT LOCKNUT	4
2	175-5005	DRIVER SPACER	2	20	H-081	CLAMP 1.0" - 1-1/8" SS	5
3	250-0220	IRHI SIDE BROOM MOTOR, 36V 106 RPM	1	21	H-13107	HCS 3/8" - 16 X 1-1/4" ZINK	3
4	260-0502	26" (24V) DISK DECK	1	22	H-21795	CB 1/4" - 20 X .5" ZINK	9
5	260-2111	MOTOR, 24V, 3/4 HP, 270 RPM	2	23	H-21810	CB 5/16" - 18 X 3/4" ZINK	4
6	260-2210	2-1/2" INCH STROKE ACTUATOR (24V)	1	24	H-21811	CB 5/16" - 18 X 1" ZINK	12
7	260-5000	BRUSH DRIVER RED HARD COAT (L7-LOBE...)	2	25	H-33006	FW 5/16 ID X 3/4 OD ZINK	14
8	260-5786	STAR KNOB, 3/8-16 THREAD	3	26	H-33207	FW 1/4 ID X 1.0 OD ZINK	9
9	260-9003	DISK LIFTING BRACKET (26 AND 28)	1	27	H-33620	LW 5/16" ZINK	2
10	260-9581	LIFT ARM CROSS BAR 24V 26" DISK	1	28	H-33622	FW 3/8" ZINK NOM ID .4375 X OD 1.0	2
11	260-9585	UPPER LATERAL ARM, DISK	2	29	H-33622	LW 3/8" ZINK	3
12	260-9586	LATERAL ARM, DISK	2	30	H-37020	JNYL 1/4" - 20 ZINK	9
13	370-1247	BUSHING 5/16 X 1/2 X 3/16	8	31	H-37021	NYLOK 5/16" - 18 ZINK	16
14	5-431	1/4" X 1" KEY	2	32	H-38564	M6 METRIC BOLT	16
15	5-446	1/2" PLASTIC BARB TEE	1	33	H-4440024	FW 3/8" X 3/4 NYLON	2
16	5-447	1/2 NPT X 1/2" BARB ELBOW	2	34	H-70055	HCS 5/16" - 18 X 1" SS	2
17	H-0156758	3/8" X 3-1/2" CLEVIS PIN	2	35	H-71017	FW 3/8 ID X 7/8 OD SS	2
18	H-0157797	LW 1/4" ZINK	16	36	H-96544	SPRING, 4-1/8" LG X 9/16" OD (42E)	2
				37	H-RUE14	3/8" RUE RING COTTER	2

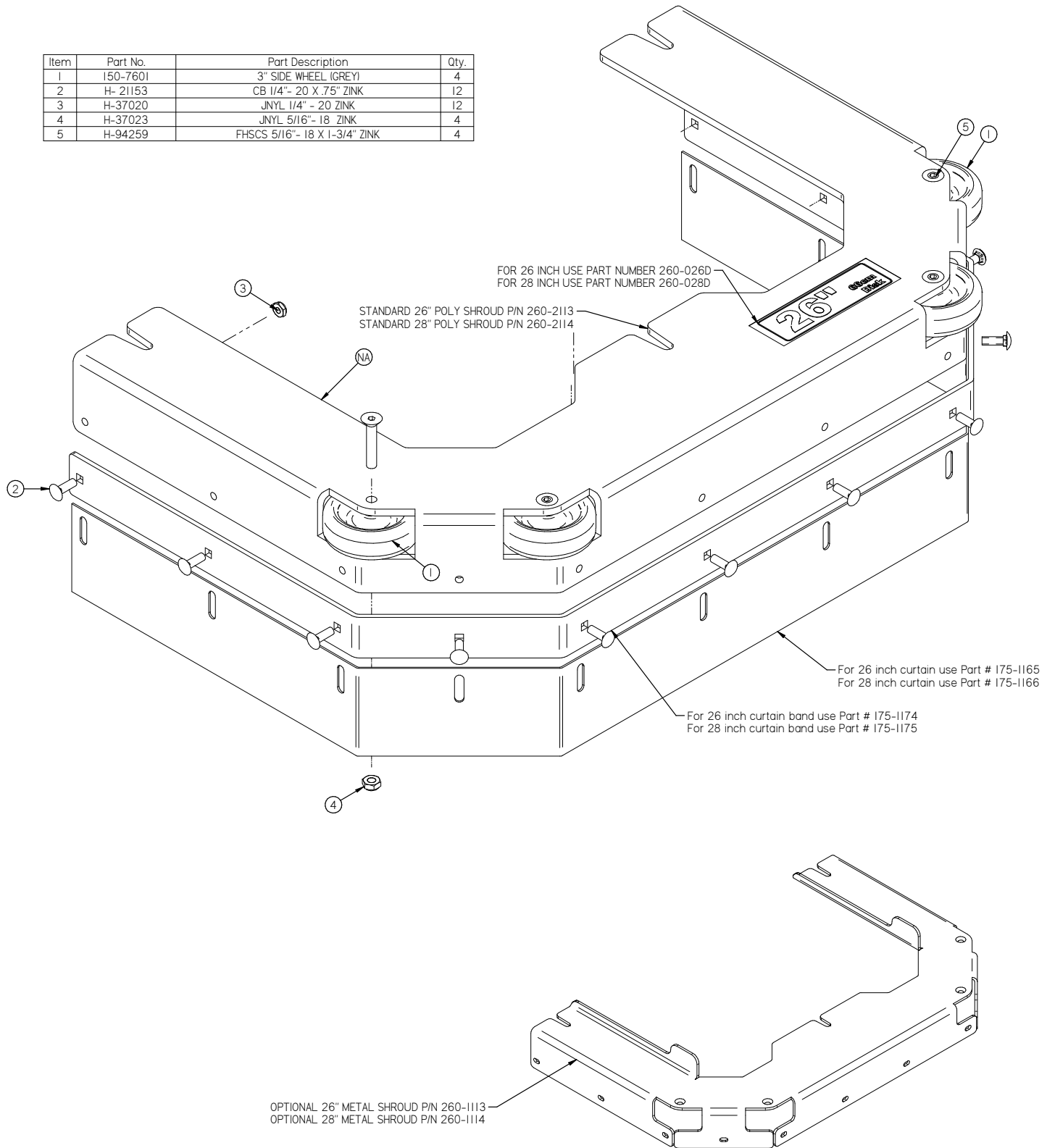
28 INCH DISK SCRUB DECK



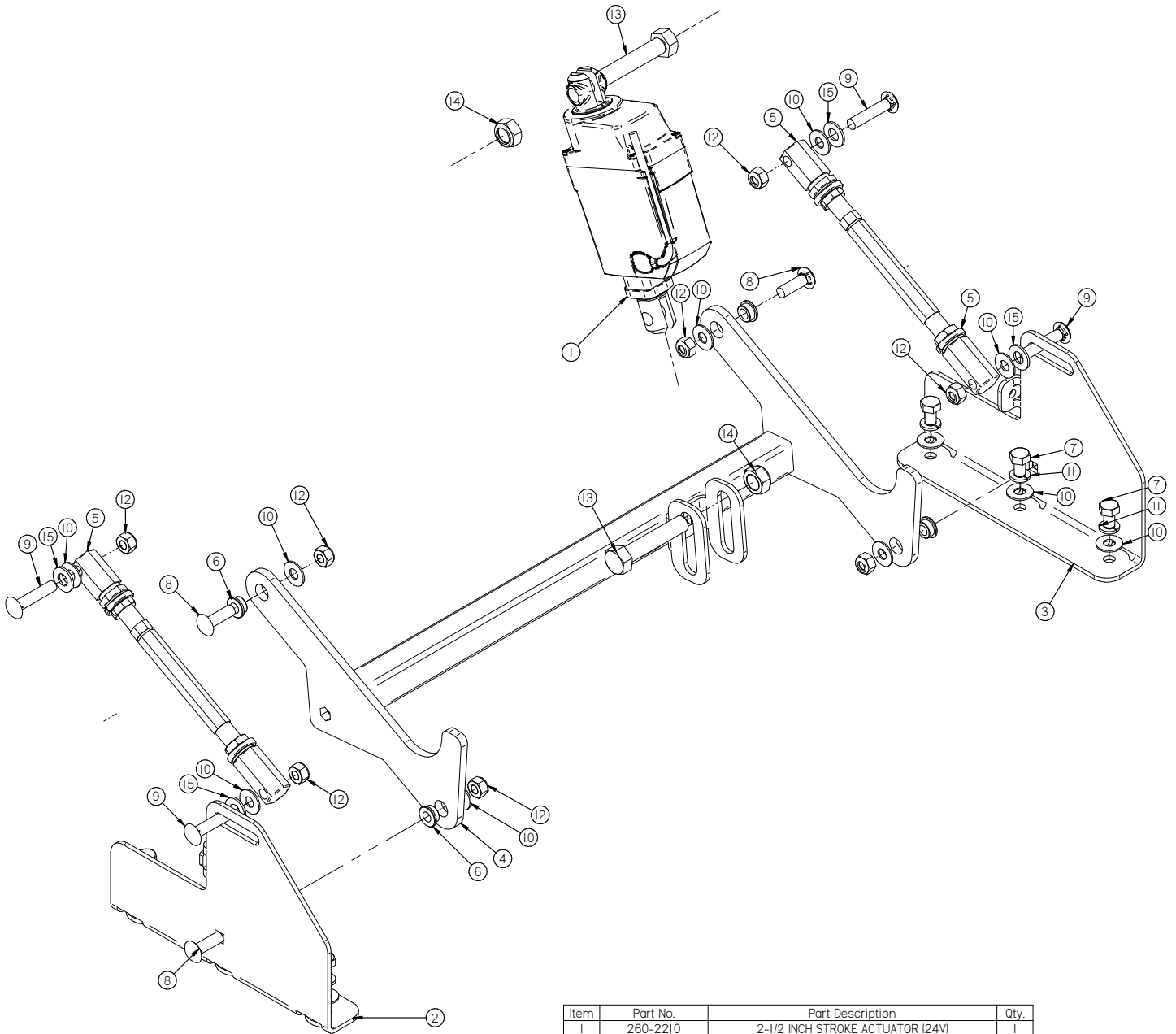
Item	Part No.	Part Description	Qty.	Item	Part No.	Part Description	Qty.
1	150-5786	STAR KNOB, 3/8-16 THREAD	3	19	H-081	CLAMP 1.0" - 1-1/8" SS	5
2	175-1077	28" REAR DECK CURTAIN	1	20	H-13107	HCS 3/8" - 16 X 1-1/4" ZINK	3
3	175-5005	DRIVER SPACER	2	21	H-21795	CB 1/4" - 20 X .5" ZINK	9
4	260-0503	28" (24V) DISK DECK	1	22	H-21810	CB 5/16" - 18 X 3/4" ZINK	4
5	260-2111	MOTOR, 24V, 3/4 HP, 270 RPM	2	23	H-21811	CB 5/16" - 18 X 1" ZINK	12
6	260-2210	2-1/2 INCH STROKE ACTUATOR (24V)	1	24	H-33006	FW 5/16 ID X 3/4 OD ZINK	14
7	260-5000	BRUSH DRIVER RED HARD COAT (L7-LOBE_)	2	25	H-33207	FNW 1/4 ID X 1.0 OD ZINK	9
8	260-9003	DISK LIFTING BRACKET (26 AND 28)	1	26	H-33620	LW 5/16" ZINK	2
9	260-9580	LIFT ARM CROSS BAR 24V 28" DISK	1	27	H-33622	FW 3/8" ZINK NOM ID .4375 X OD 1.0	2
10	260-9585	UPPER LATERAL ARM, DISK	2	28	H-33622	LW 3/8" ZINK	3
11	260-9586	LATERAL ARM, DISK	2	29	H-37020	JNYL 1/4" - 20 ZINK	9
12	370-1247	BUSHING 5/16 X 1/2 X 3/16	8	30	H-37021	NYLOK 5/16" - 18 ZINK	16
13	5-431	1/4" X 1" KEY	2	31	H-38564	M6 METRIC BOLT	16
14	5-446	1/2" PLASTIC BARB TEE	1	32	H-4440024	FW 3/8" X 3/4 NYLON	2
15	5-447	1/2 NPT X 1/2" BARB ELBOW	2	33	H-70055	HCS 5/16" - 18 X 1" SS	2
16	H-0156758	3/8" X 3-1/2" CLEVIS PIN	2	34	H-71017	FW 3/8 ID X 7/8 OD SS	2
17	H-0157797	LW 1/4" ZINK	16	35	H-96544	SPRING, 4-1/8" LG X 9/16" OD (42E)	2
18	H-07005	1/2" NPT LOCKNUT	4	36	H-RUE14	3/8" RUE RING COTTER	2

26 AND 28 INCH DISK SHROUD

Item	Part No.	Part Description	Qty.
1	150-7601	3" SIDE WHEEL (GREY)	4
2	H-21153	CB 1/4"- 20 X.75" ZINK	12
3	H-37020	JNYL 1/4" - 20 ZINK	12
4	H-37023	JNYL 5/16"- 18 ZINK	4
5	H-94259	FHSCS 5/16"- 18 X 1-3/4" ZINK	4

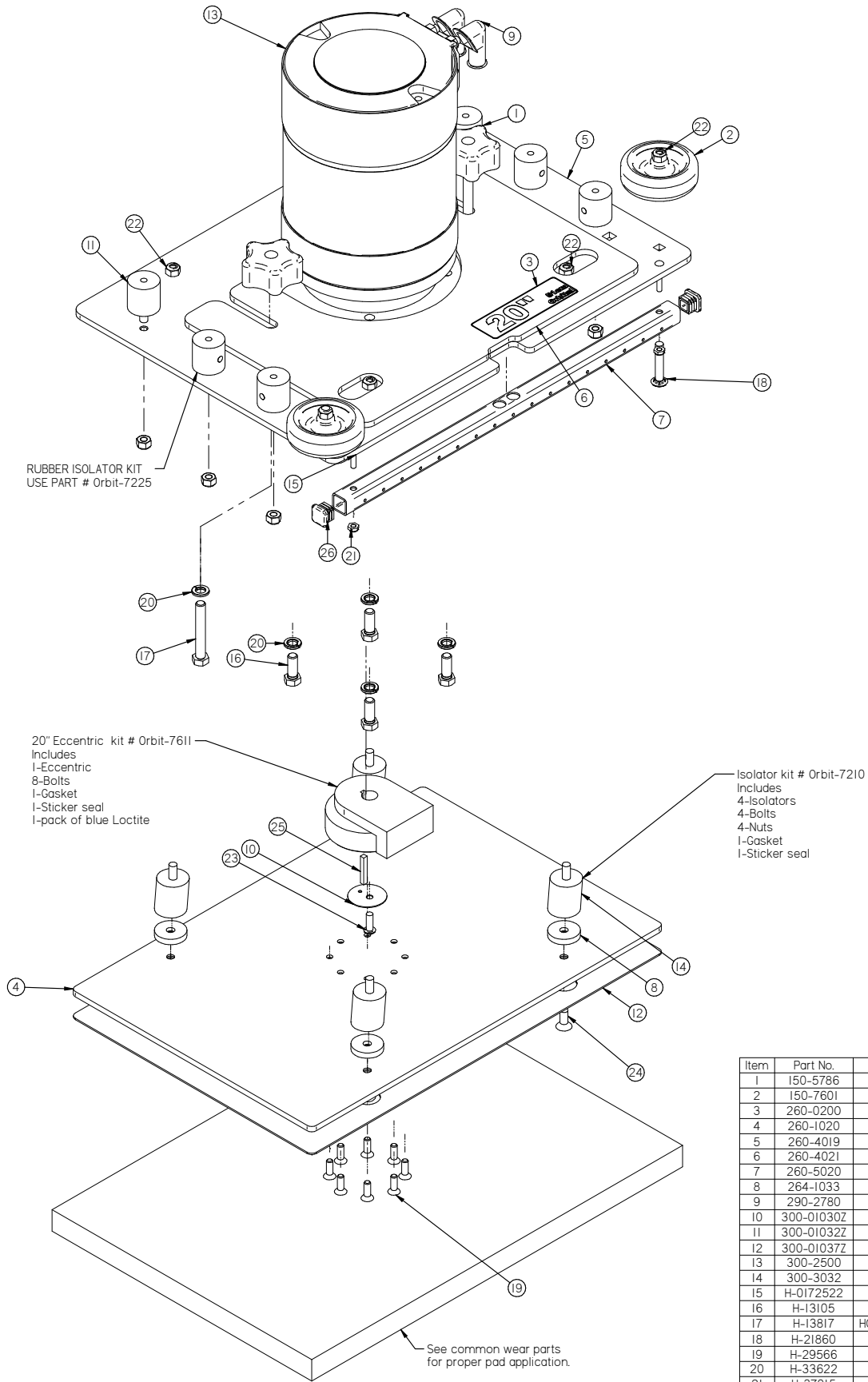


ORBITAL LIFT ARM

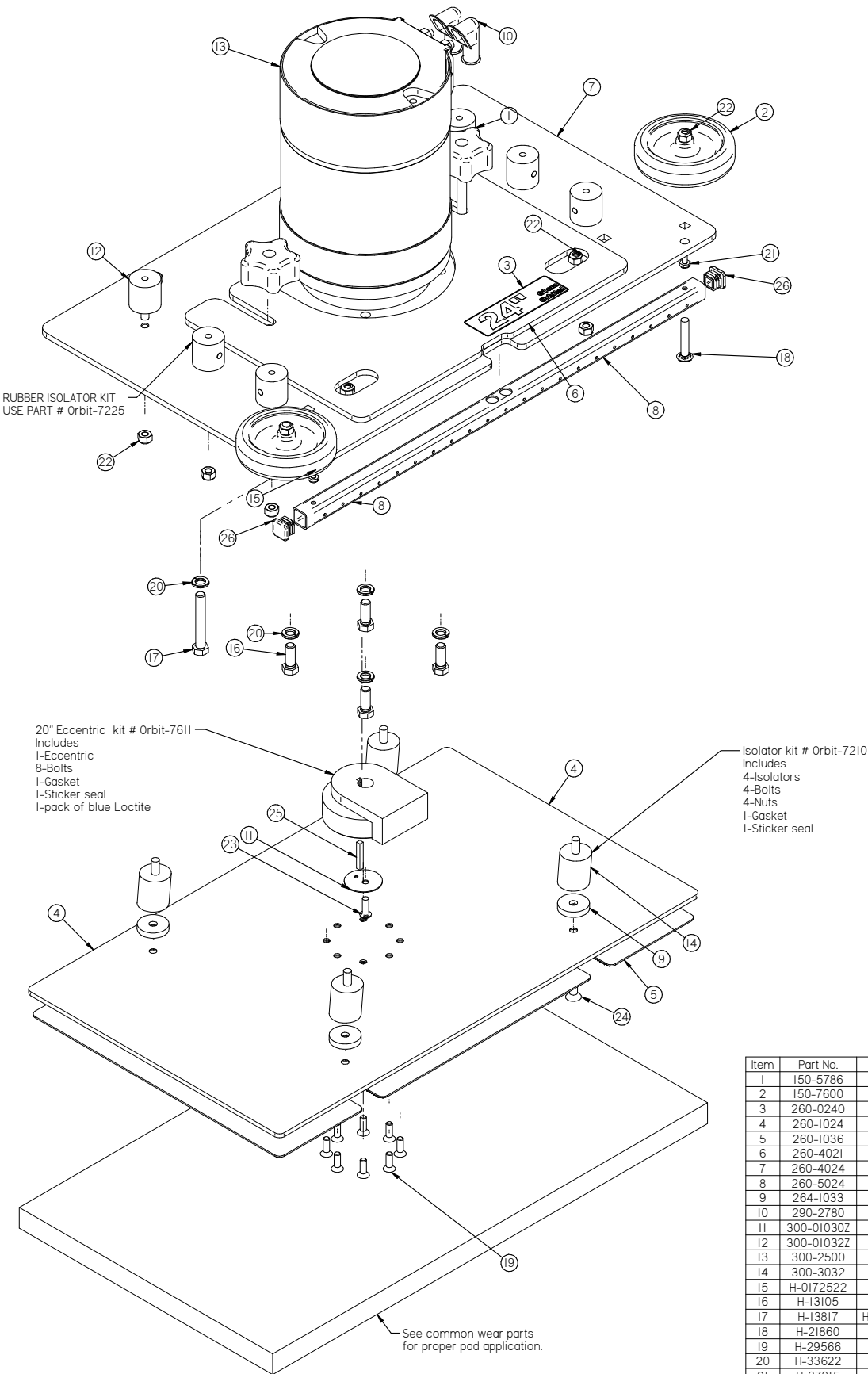


Item	Part No.	Part Description	Qty.
1	260-2210	2-1/2 INCH STROKE ACTUATOR (24V)	1
2	260-9080	ILHI DECK BRACKET (24V)	1
3	260-9081	IRHI DECK BRACKET (24V)	1
4	260-9582	LATERAL ARM (24V (ORBITAL)	1
5	264-8431	ADJUSTABLE LATERAL ARM	2
6	370-1247	BUSHING 5/16 X 1/2 X 3/16	4
7	H-13051	HCS 5/16"- 18 X 1/2" ZINK	6
8	H-21811	CB 5/16"- 18 X 1" ZINK	4
9	H-21813	CB 5/16"- 18 X 1-1/2" ZINK	4
10	H-33006	FW 5/16 ID X 3/4 OD ZINK	14
11	H-33620	LW 5/16" ZINK	6
12	H-37021	NYLOK 5/16" - 18 ZINK	8
13	H-38712	HCS M12-1.75 X 60MM ZINK	2
14	H-40171	NYLOK M12-1.75 ZINK	2
15	H-4440024	FW 3/8" X 3/4" NYLON	4

20 INCH ORBITAL DECK

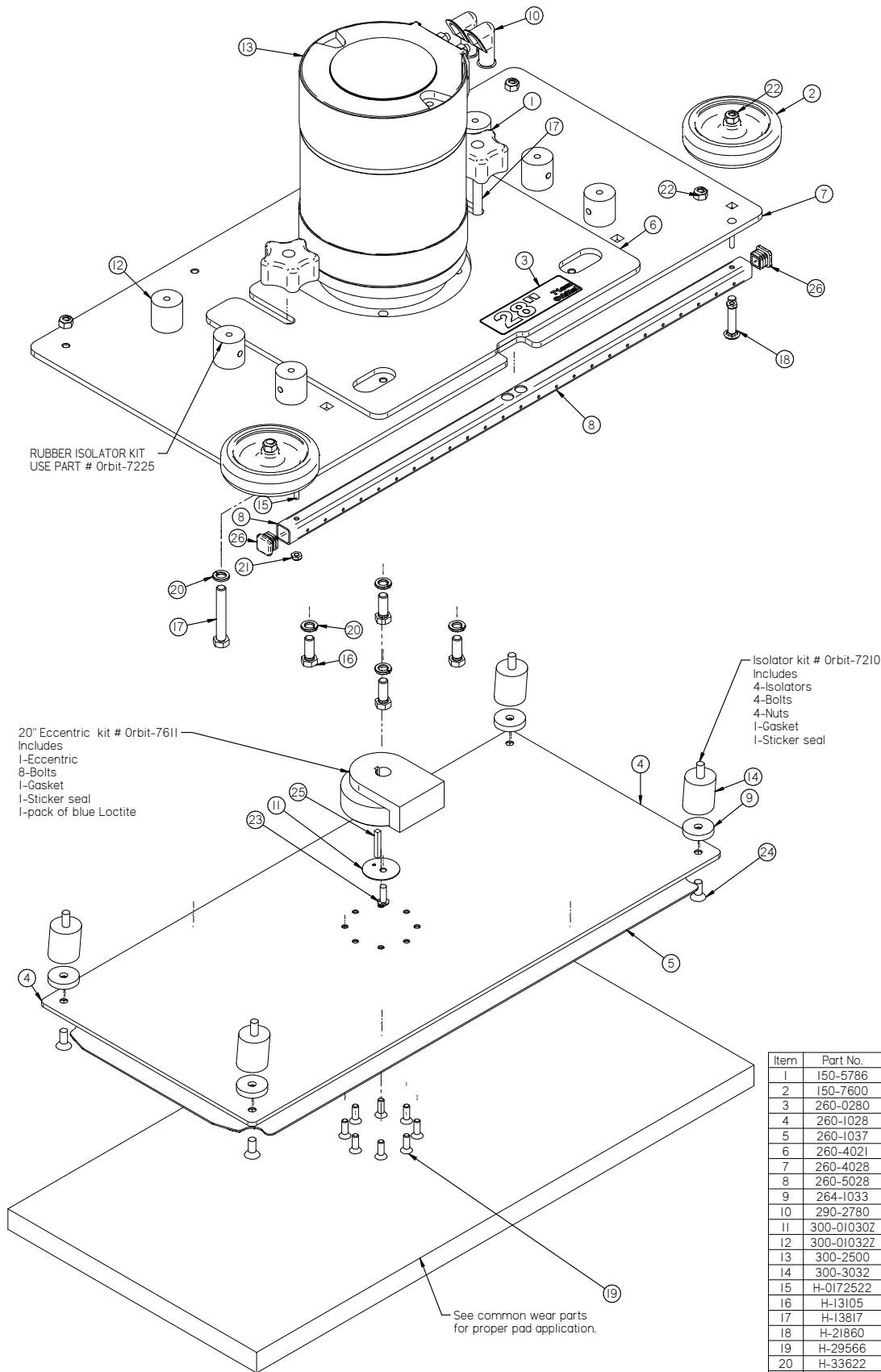


Item	Part No.	Part Description	Qty.
1	150-5786	STAR KNOB, 3/8-16 THREAD	2
2	150-7601	3" SIDE WHEEL (GREY)	2
3	260-0200	20 INCH ORBITAL STICKER	1
4	260-1020	20 INCH ALUMINUM PAD DRIVER	1
5	260-4019	20 INCH SQUARE HEAD DECK	1
6	260-4021	8.25 LBS WEIGHT (YELLOW)	1
7	260-5020	SQ. SOLUTION FEED TUBE (20')	1
8	264-1033	1/4" SPACER	4
9	290-2780	TERMINAL BOOT, BLACK	2
10	300-01030Z	CRUSH WASHER	1
11	300-01032Z	1-1/4X1-1/4X5/16-18 (50D) ISOLATOR	6
12	300-01037Z	20 INCH GRIP FACE	1
13	300-2500	24V.IHP2500 RPM	1
14	300-3032	1-1/4X1-1/2X5/16-18 (50D) ISOLATOR	4
15	H-0172522	CB #10-32 X 1-1/4" ZINK	2
16	H-13105	HCS 3/8"- 16 X 1" ZINK	4
17	H-13817	HCS 3/8"- 16 X 2-1/2" ZINK (FULLY THREADED)	2
18	H-21860	CB 5/16"- 18 X 1-3/4" ZINK	2
19	H-29566	FHP 1/4"- 20 X 3/4" ZINK	8
20	H-33622	LW 3/8" ZINK	6
21	H-37015	NYLOK #10-32 ZINK	2
22	H-37021	NYLOK 5/16" - 18 ZINK	12
23	H-73754	BHSCS 1/4 - 20 X 3/4" SS	1
24	H-94254	FHSCS 5/16"- 18 X 3/4" ZINK	4
25	H-K14320	3/16" X 1 1/4" KEY	1
26	M-9565K5	3/4 X 3/4 SQ TUBE PLUG	2



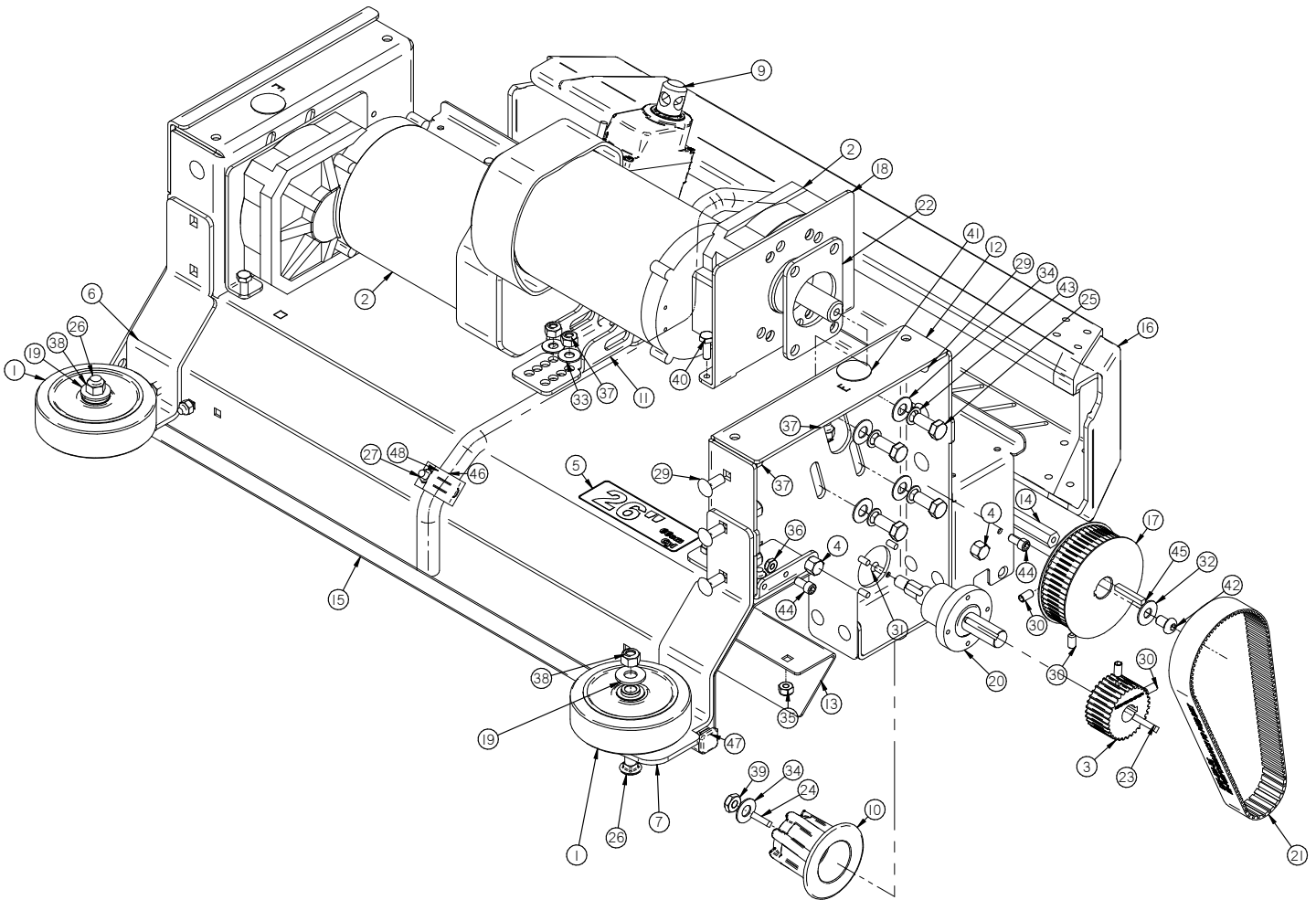
Item	Part No.	Part Description	Qty.
1	150-5786	STAR KNOB, 3/8-16 THREAD	2
2	150-7600	4" SIDE WHEEL (GREY)	2
3	260-0240	24 INCH ORBITAL STICKER	1
4	260-1024	24 INCH ALUMINUM PAD DRIVER	1
5	260-1036	24" GRIP FACE	1
6	260-4021	8.25 LBS WEIGHT (YELLOW)	1
7	260-4024	24 INCH SQUARE HEAD DECK	1
8	260-5024	SOLUTION FEED TUBE (24")	1
9	264-1033	1/4" SPACER	4
10	290-2780	TERMINAL BOOT, BLACK	2
11	300-01030Z	CRUSH WASHER	1
12	300-01032Z	1-1/4X1-1/4X5/16-18 (50DI) ISOLATOR	6
13	300-2500	24V/IHP,2500 RPM	1
14	300-3032	1-1/4X1-1/2X5/16-18 (50DI) ISOLATOR	4
15	H-0172522	CB #10-32 X 1-1/4" ZINK	2
16	H-13105	HCS 3/8" - 16 X 1" ZINK	4
17	H-13817	HCS 3/8" - 16 X 2-1/2" ZINK (FULLY THREADED)	2
18	H-21860	CB 5/16" - 18 X 1-3/4" ZINK	2
19	H-29566	FHP 1/4" - 20 X 3/4" ZINK	8
20	H-33622	LW 3/8" ZINK	6
21	H-37015	NYLOK #10-32 ZINK	2
22	H-37021	NYLOK 5/16" - 18 ZINK	12
23	H-73754	BHSCS 1/4 - 20 X 3/4" SS	1
24	H-94254	FHSCS 5/16" - 18 X 3/4" ZINK	4
25	H-K14320	3/16" X 1 1/4" KEY	1
26	M-9565K5	3/4 X 3/4 SQ TUBE PLUG	2

28 INCH ORBITAL DECK



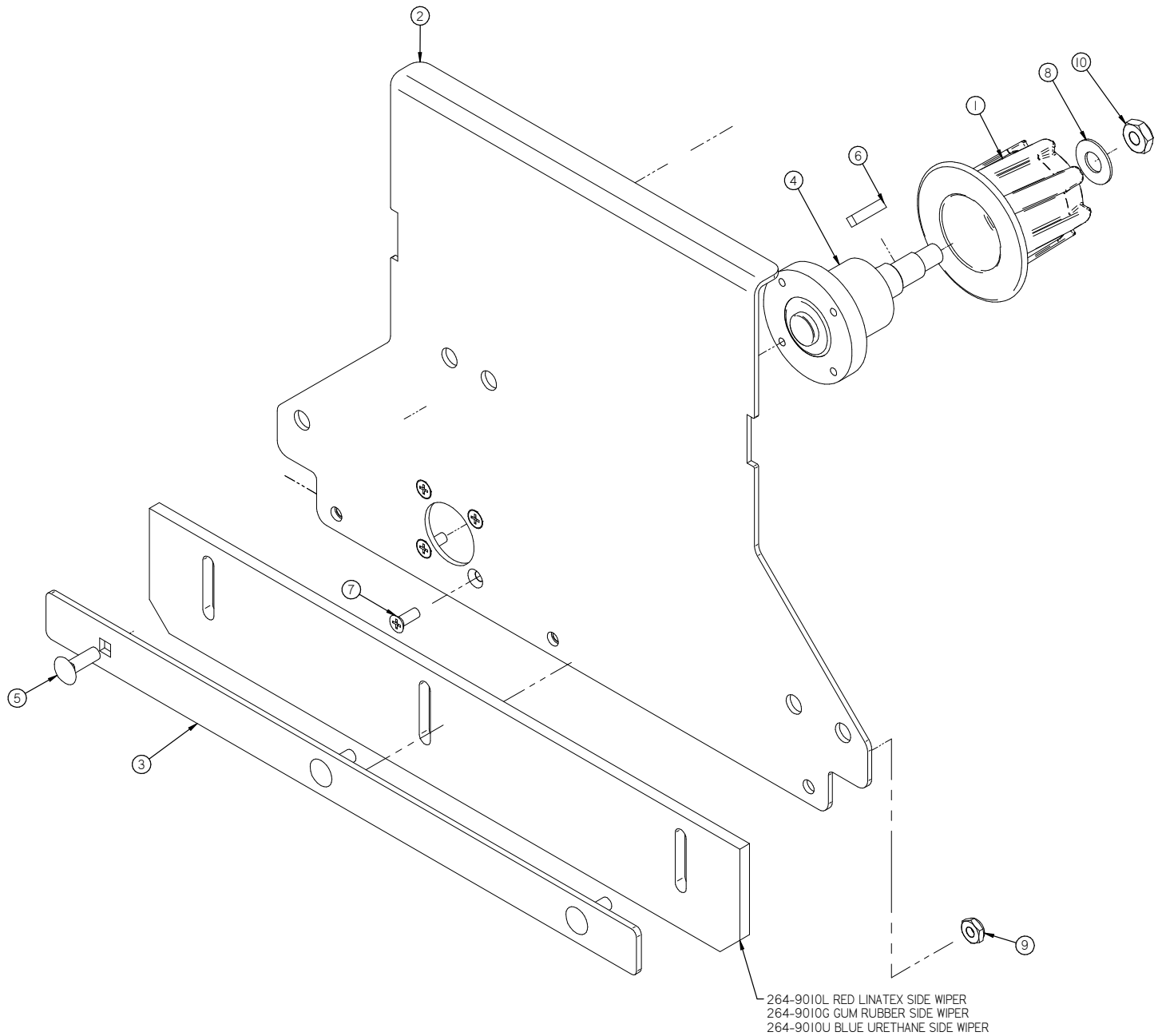
Item	Part No.	Part Description	Qty.
1	150-5786	STAR KNOB, 3/8-16 THREAD	2
2	150-7600	4" SIDE WHEEL (GREY)	2
3	260-0280	28 INCH ORBITAL STICKER	1
4	260-1028	28 INCH ALUMINUM PAD DRIVER	1
5	260-1037	28" GRIP FACE	1
6	260-4021	8.25 LBS WEIGHT (YELLOW)	1
7	260-4028	28 INCH SQUARE HEAD DECK	1
8	260-5028	SOLUTION FEED TUBE (28")	1
9	264-1033	1/4" SPACER	4
10	290-2780	TERMINAL BOOT, BLACK	2
11	300-01030Z	CRUSH WASHER	1
12	300-01032Z	1-1/4X1-1/4X5/16-18 (50DI) ISOLATOR	6
13	300-2500	24V/IHP2500 RPM	1
14	300-3032	1-1/4X1-1/2X5/16-18 (50DI) ISOLATOR	4
15	H-017252Z	CB #10-32 X 1-1/4" ZINK	2
16	H-13105	HCS 3/8"- 16 X 1" ZINK	4
17	H-13817	HCS 3/8"- 16 X 2-1/2" ZINK (FULLY THREADED)	2
18	H-21860	CB 5/16"- 18 X 1-3/4" ZINK	2
19	H-29566	FHP 1/4"- 20 X 3/4" ZINK	8
20	H-33622	LW 3/8" ZINK	6
21	H-37015	NYLOK #10-32 ZINK	2
22	H-37021	NYLOK 5/16" - 18 ZINK	12
23	H-73754	BHSCS 1/4 - 20 X 3/4" SS	1
24	H-94254	FHSCS 5/16"- 18 X 3/4" ZINK	4
25	H-K14320	3/16" X 1 1/4" KEY	1
26	M-9565K5	3/4 X 3/4 SQ TUBE PLUG	2

26 INCH CYLINDRICAL DECK



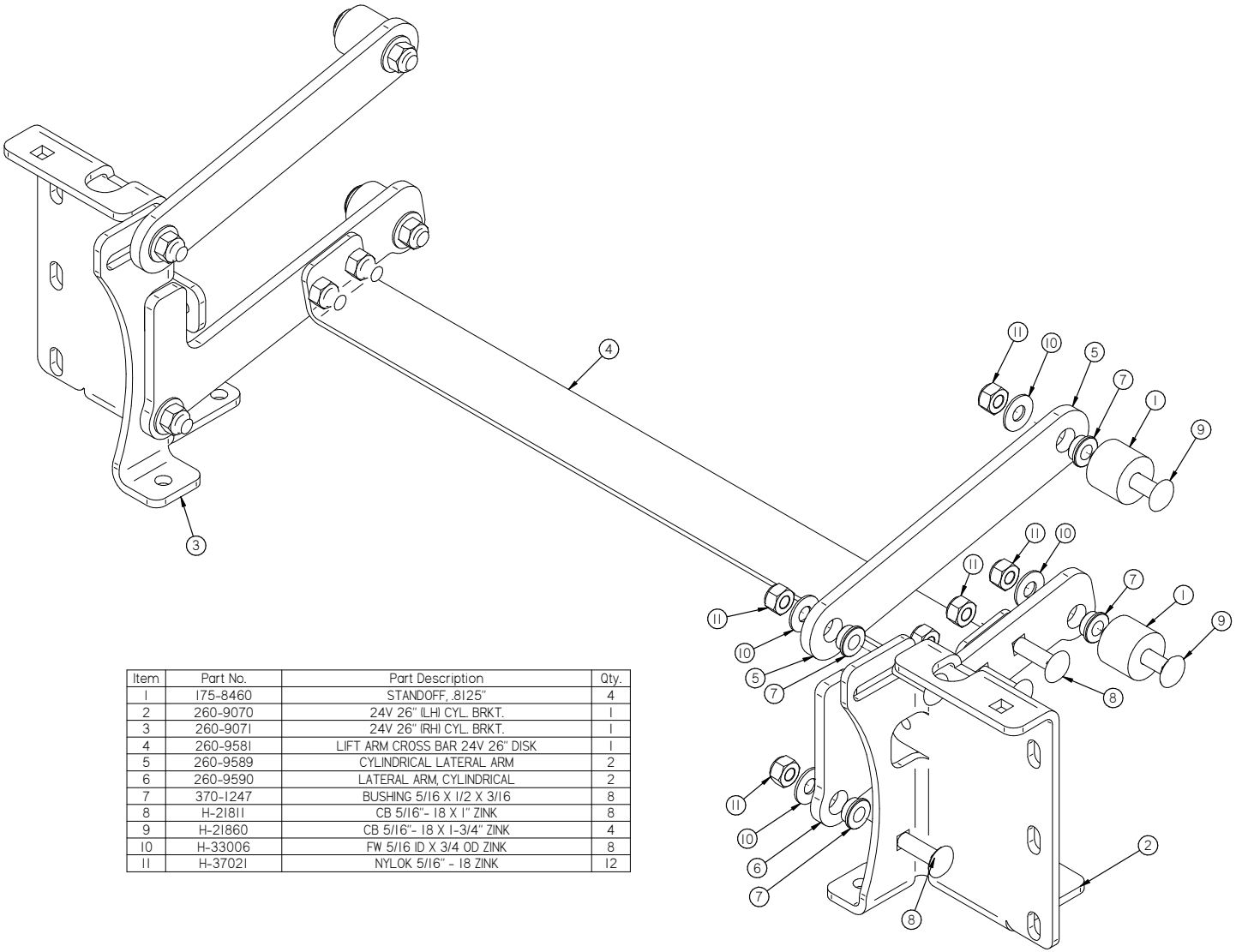
Item	Part No.	Part Description	Qty.	Item	Part No.	Part Description	Qty.
1	190-3030	4.0" WHEEL (GRAY)	2	25	H-17104	HCS 3/8"-24 X 7/8" ZINC	8
2	253-211	MOTOR, 24V, 3/4 HP, 350 RPM	2	26	H-21362	CB 3/8"- 16 X 2-1/4" ZINC	2
3	253-8215	TIMING SPROCKET 32 TOOTH	2	27	H-21795	CB 1/4"- 20 X 5" ZINC	2
4	253-9024	THUMB SCREW	4	28	H-21800	CB 1/4"- 20 X 5/8" ZINC	22
5	260-026C	26 INCH CYLINDRICAL STICKER	1	29	H-21810	CB 5/16"- 18 X 3/4" ZINC	22
6	260-1272	CYL BRACKET, 26 INCH 6" (RHI)	1	30	H-25382	SETScrew KCP, 1/4"- 20 X 1/2"	8
7	260-1273	CYL BRACKET, 26 INCH 6" (LHI)	1	31	H-29506	FHP #10-32 X 1/2" ZINC	8
8	260-2111	MOTOR, 24V, 3/4 HP, 270 RPM	1	32	H-33004	FW 5/16 ID X 7/8 OD ZINK	2
9	260-2210	2-1/2" STROKE ACTUATOR (24V 900Nm)	1	33	H-33006	FW 5/16 ID X 3/4 OD ZINC	10
10	260-8371	7-SPLINE CYL DRIVER (RED HARD COAT)	2	34	H-33008	FW 3/8 ID X 7/8 OD ZINC	10
11	260-9006	DECK LIFTING BRACKET	1	35	H-37019	NYLOK 1/4"- 20 ZINC	22
12	260-9020	SIDE SUPPORT	2	36	H-37020	JNYL 1/4" - 20 ZINC	6
13	260-9024	26" ATTENUATOR	1	37	H-37021	NYLOK 5/16" - 18 ZINC	22
14	260-9025	26" STIFFENER	1	38	H-37025	NYLOK 3/8"-16 ZINK	22
15	260-9026	26" SHELL	1	39	H-37126	JNYL 3/8- 24 ZINC	2
16	260-9050	26" HOPPER	1	40	H-70003	HCS 1/4"-20 X 3/4" SS	4
17	264-8225	TIMING SPROCKET 56 TOOTH	2	41	H-70889	HOLE PLUG 7/8"	2
18	264-9002	MOTOR ADJ BRACKET	2	42	H-73777	BHSCS 5/16-18 X 1/2"	2
19	33008	FW .375 ID X 1 OD ZINK	2	43	H-90895	WASHER, SERRATED BELLEVILLE, 3/8", ZINK	8
20	370-8240A	BEARING HOUSING/BEARING	2	44	H-93201	SHCS 1/4-20 X 1/2 ZINC	5
21	650-8230	555-5M-25 HI-PERFORMANCE PD PLUS BELT	2	45	H-K14320	3/16" X 1 1/4" KEY	2
22	650-9004	MOTOR SPACER	2	46	M-9434T22	1.0 DIA One Hole Tube Clamp	1
23	H-01125	3/16" X 1" KEY	2	47	M-9565K5	3/4 X 3/4 SQ TUBE PLUG	2
24	H-0953152	3/16" X 3/4" KEY	2	48	T-050R6000	BULK 1/2" X 5' WIRE REINFORCED SOLUTION HOSE	1

CYLINDRICAL DECK DOOR



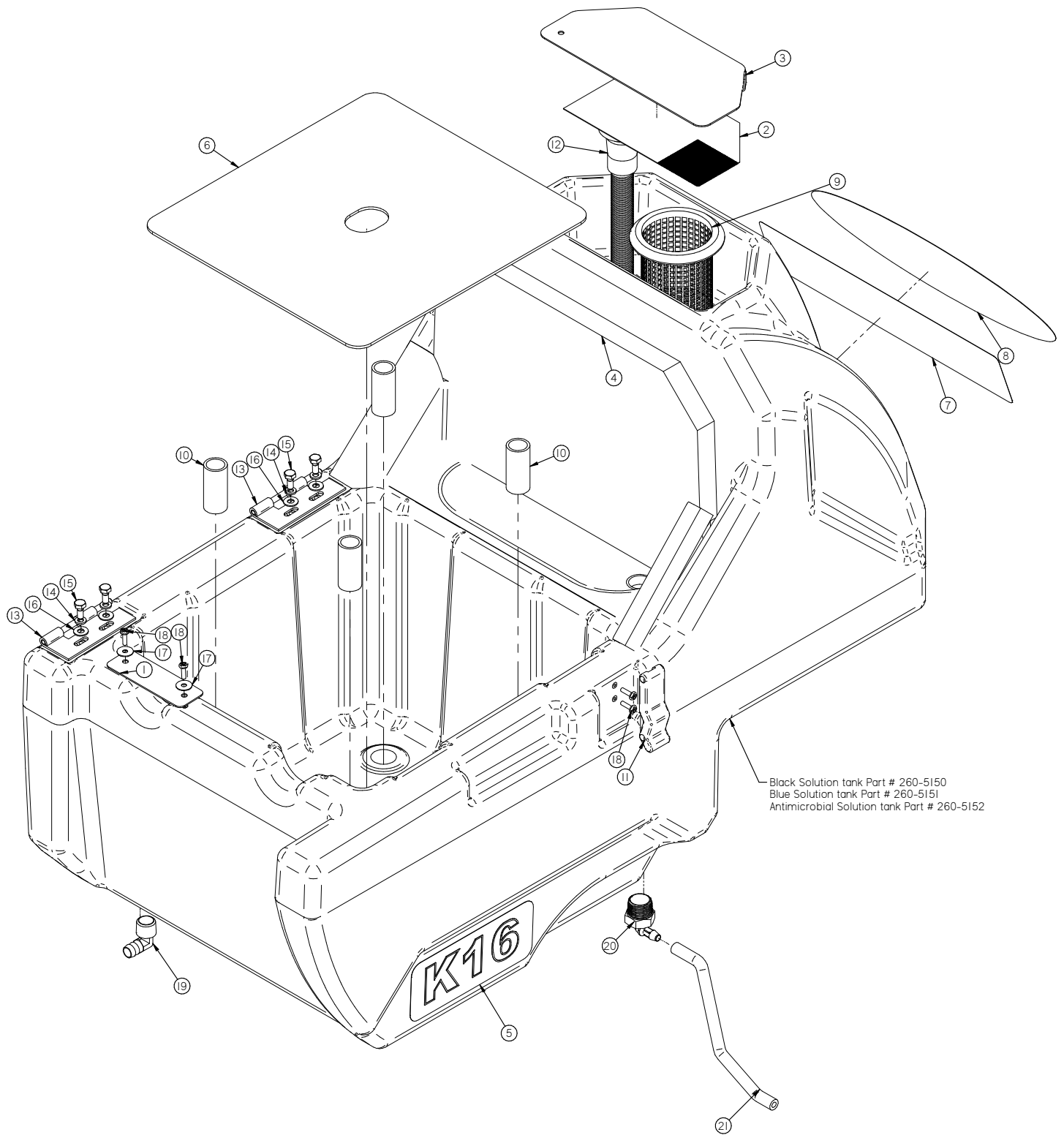
Item	Part No.	Part Description	Qty.
1	260-8373	7-SPLINE CYL IDLER (PVC)	1
2	260-9022	DRIVE COVER	1
3	264-9015	WIPER BAND	1
4	370-8241A	IDLER DRIVE BEARING	1
5	H-21153	CB 1/4" - 20 X .75" ZINK	3
6	H-0953152	3/16" X 3/4" KEY	1
7	H-29506	FHP #10-32 X 1/2" ZINK	4
8	H-33008	FW 3/8 ID X 7/8 OD ZINK	1
9	H-37020	JNYL 1/4" - 20 ZINK	3
10	H-37126	JNYL 3/8- 24 ZINK	1

CYLINDRICAL DECK ARM



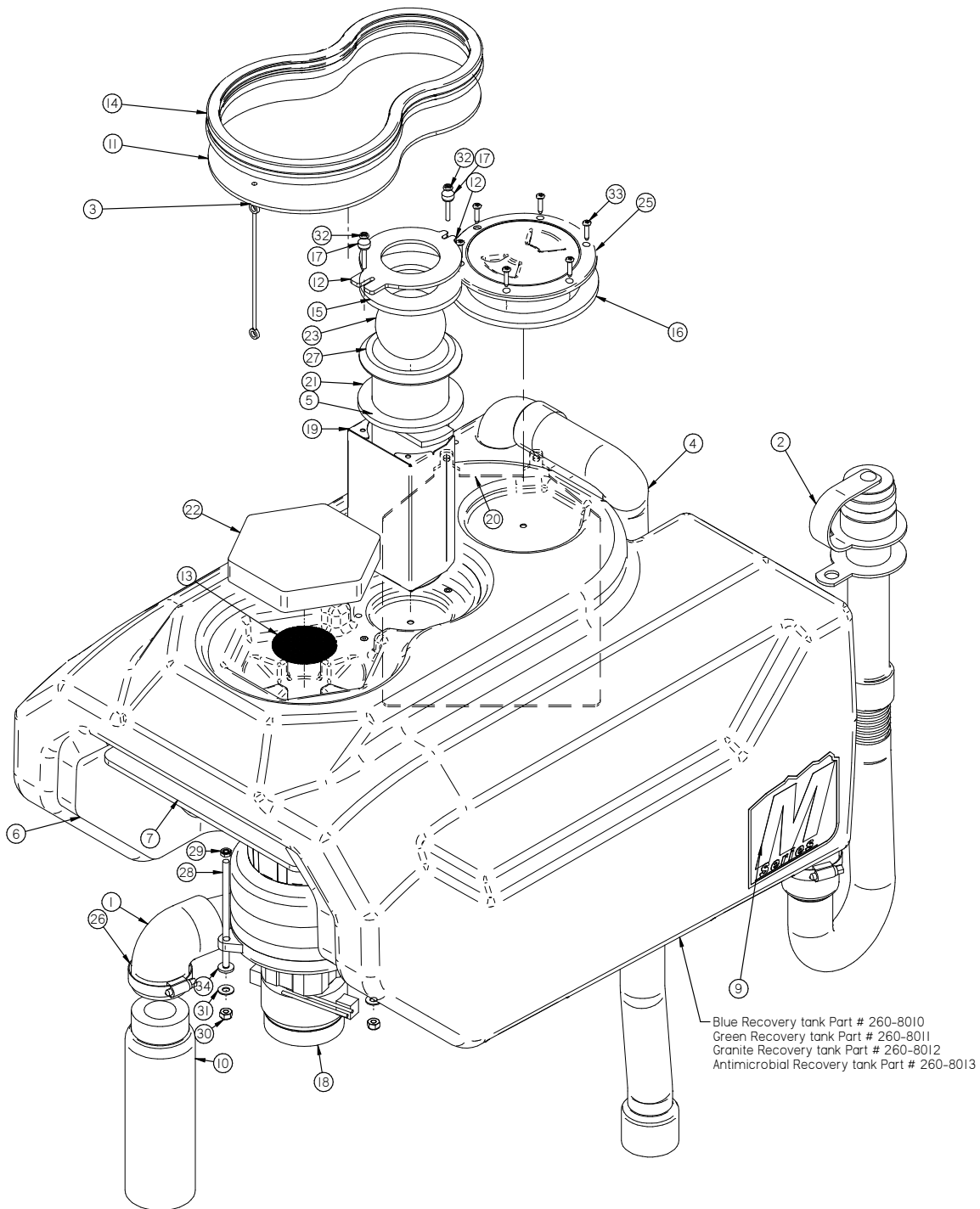
Item	Part No.	Part Description	Qty.
1	175-8460	STANDOFF, .8125"	4
2	260-9070	24V 26" LH CYL. BRKT.	1
3	260-9071	24V 26" RH CYL. BRKT.	1
4	260-9581	LIFT ARM CROSS BAR 24V 26" DISK	1
5	260-9589	CYLINDRICAL LATERAL ARM	2
6	260-9590	LATERAL ARM, CYLINDRICAL	2
7	370-1247	BUSHING 5/16 X 1/2 X 3/16	8
8	H-21811	CB 5/16"- 18 X 1" ZINK	8
9	H-21860	CB 5/16"- 18 X 1-3/4" ZINK	4
10	H-33006	FW 5/16 ID X 3/4 OD ZINK	8
11	H-37021	NYLOK 5/16" - 18 ZINK	12

SOLUTION TANK ASSEMBLY



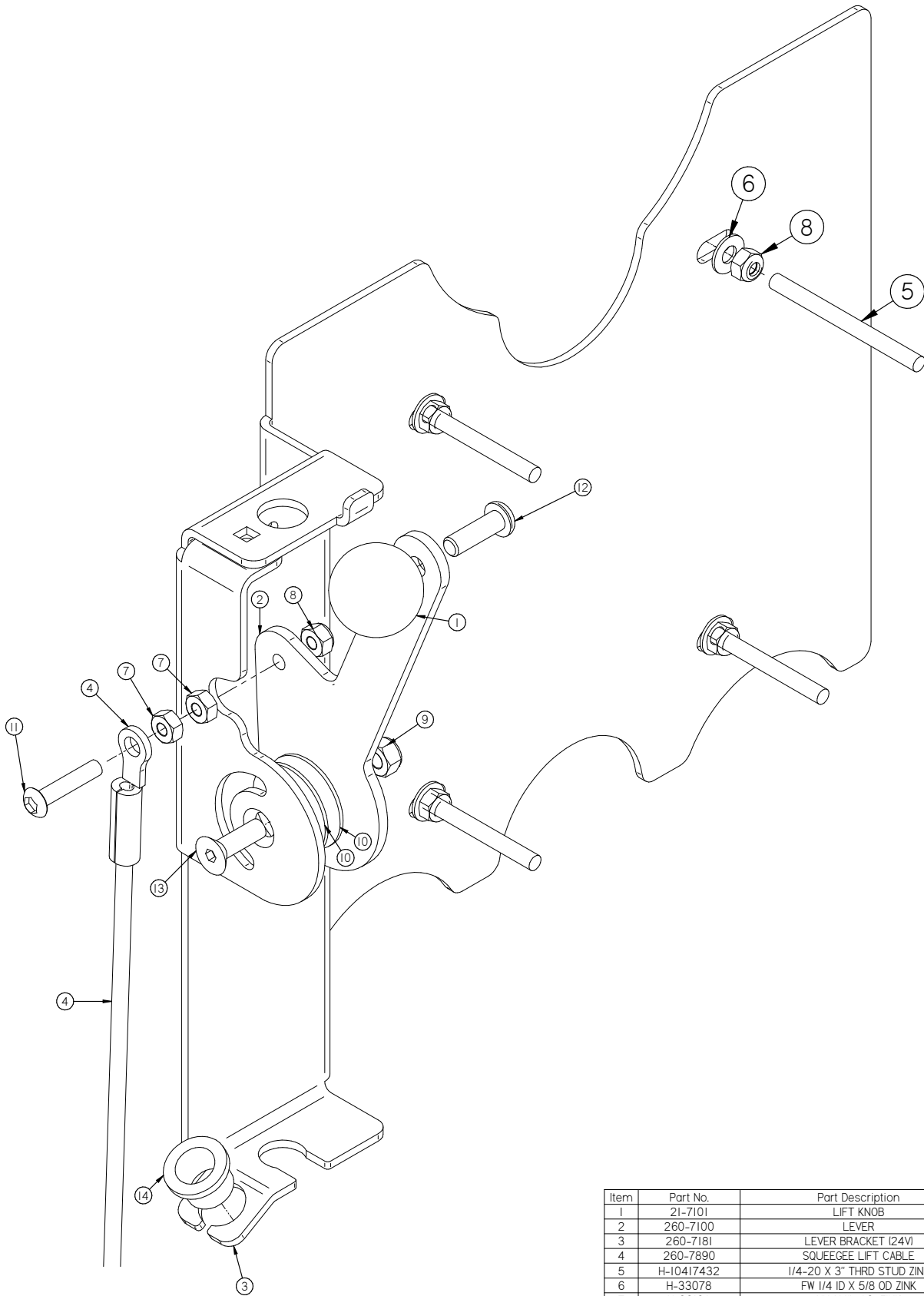
Item	Part No.	Part Description	Qty.	Item	Part No.	Part Description	Qty.
1	260-1126	BATTERY CABLE STRAP	1	12	500-1380	FILL HOSE	1
2	260-1128	SOLUTION FILL SCREEN	1	13	600-1220	4" SS HINGE	2
3	260-1129	SOLUTION FILL CURTIAN	1	14	H-0157797	LW 1/4" ZINK	4
4	260-1138	VAC MOTOR INSULATION	1	15	H-13002	HCS 1/4"-20 X 5/8" ZINK	4
5	260-1524	K16 STICKER	2	16	H-33078	FW 1/4 ID X 5/8 OD ZINK	4
6	260-3005	BATTERY PLATE	1	17	H-71010	FW #10 ID X 11/16 OD SS	2
7	260-7200	"BRAND DECAL"	1	18	H-72399	PPH #8-32 X 5/8" S/S	4
8	260-7201	"BRAND DECAL"	1	19	M-53525K58	1/2 NPT X 1/2" BARB ELBOW, BRASS	1
9	260-8910	SOLUTION FILL BASKET	1	20	M-5463K507	3/4 NPT X 3/8 BARBED X 90 DEG	1
10	260-9140	TANK SPACER	4	21	IT-025B6000	BULK 1/4" ID X 5' BLUE VAC DRAIN HOSE	1
11	4-124	LATCH	1				

RECOVERY TANK ASSEMBLY



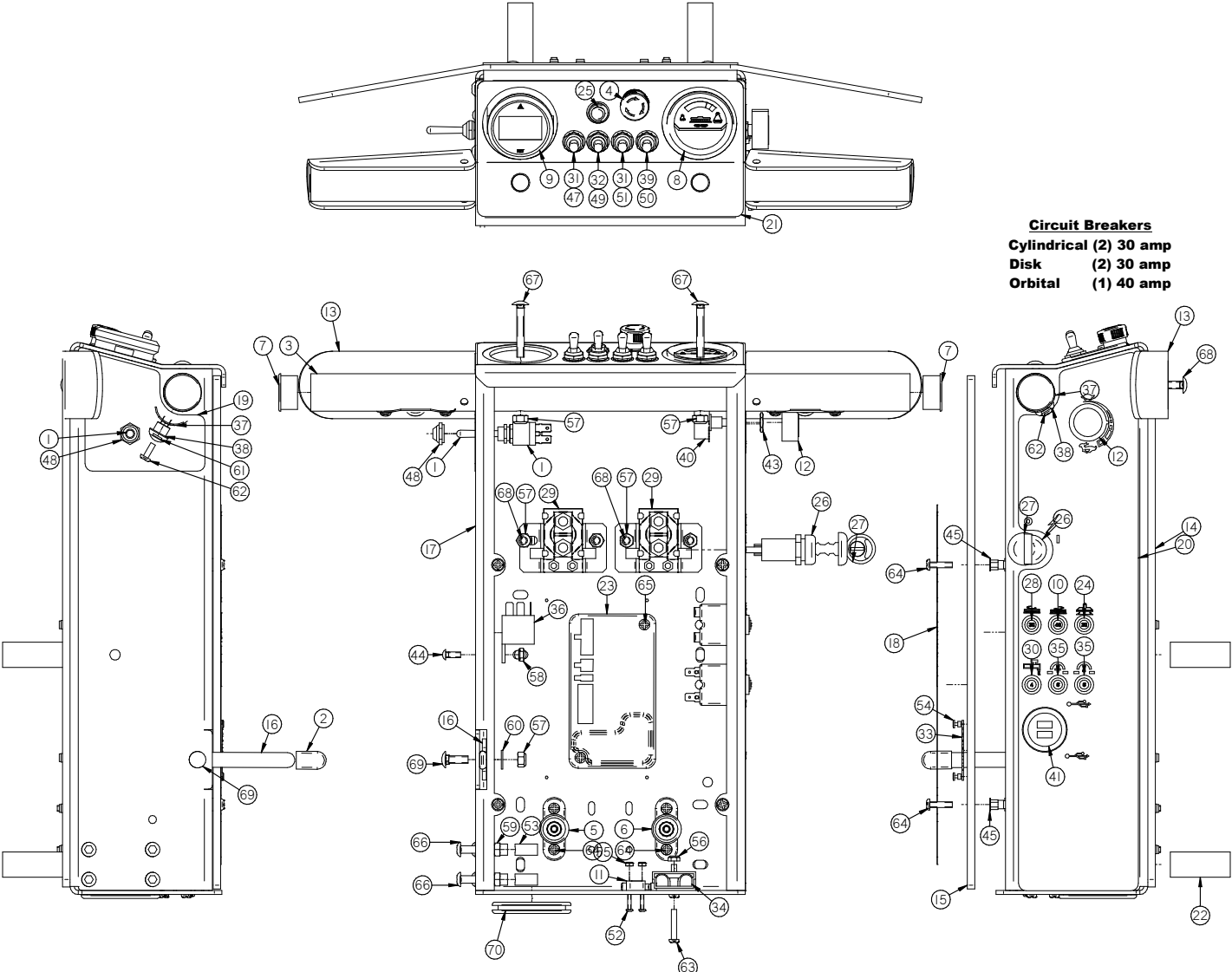
Item	Part No.	Part Description	Qty.	Item	Part No.	Part Description	Qty.
1	150-7291	EXHAUST ELBOW	1	18	260-5251D	36V VAC MOTOR, TANGENTIAL	1
2	175-7210	DRAIN HOSE	1	19	260-7000	BAFFLE	1
3	21-4060	LANYARD	1	20	260-7001	TANK CURTAIN	1
4	260-0115	SQUEEGEE HOSE	1	21	260-7380	STRAINER GASKET	1
5	260-1133	TANK GASKET	1	22	264-4086	VAC BOX FILTER	1
6	260-1137	VAC MOTOR INSULATION	1	23	38-712	OVERFILL SHUTOFF BALL	1
7	260-1139	VAC MOTOR GASKET	1	24	4-124	CLIP LATCH	1
8	260-1143	VAC MOTOR GASKET	1	25	400-4250	4" Clear Access Port	1
9	260-1521	TIMBERLINE M SERIES STICKER	1	26	5-719	CLAMP 1 9/16 - 2 1/2" SS	2
10	260-2502	VAC MUFFLER	1	27	7-711A	SCREEN STRAINER	1
11	260-4048	REC TANK VAC COVER	1	28	H-10330725	1/4-20 X 5.0" THRD STUD ZINK	3
12	260-4080	BALL FLOAT TOP	1	29	H-37408	KN #10-32 ZINK	3
13	260-4081	VAC SCREEN	1	30	H-70860	NYLOK 1/4"- 20 SS	3
14	260-4100	PUSH-ON RUBBER GASKET	1	31	H-71013	FW 1/4 ID X 5/8 OD SS	3
15	260-4103	BALL FLOAT GASKET	1	32	H-72419	PPH #8-32 X 1-1/4" S/S	2
16	260-4104	4 INCH LID GASKET	1	33	H-72916	PPH SMS #8 X 3/4" SS	6
17	260-4180	8-32 THUMB NUT	2	34	M-90130A029	.25" NEOPRENE WASHER	3

SQUEEGEE LIFT BRACKET



Item	Part No.	Part Description	Qty.
1	21-7101	LIFT KNOB	1
2	260-7100	LEVER	1
3	260-7181	LEVER BRACKET (24V)	1
4	260-7890	SQUEEGEE LIFT CABLE	1
5	H-10417432	1/4-20 X 3" THRD STUD ZINK	4
6	H-33078	FW 1/4 ID X 5/8 OD ZINK	4
7	H-36102	HN 1/4"- 20 ZINK	2
8	H-37019	NYLOK 1/4"- 20 ZINK	5
9	H-37021	NYLOK 5/16"- 18 ZINK	1
10	H-921052416	FW 390° X 1-1/2" NYLON	2
11	H-94054	BHSCS 1/4 - 20 X 1-1/2" SS	1
12	H-94071	BHSCS 5/16-18 X 1 ZINK	1
13	H-94256	FHSCS 5/16"- 18 X 1" ZINK	1
14	M-9440T26	625 ID X .75 OD X .625 LG FLANGED BEARING	1

CENTRAL COMMAND

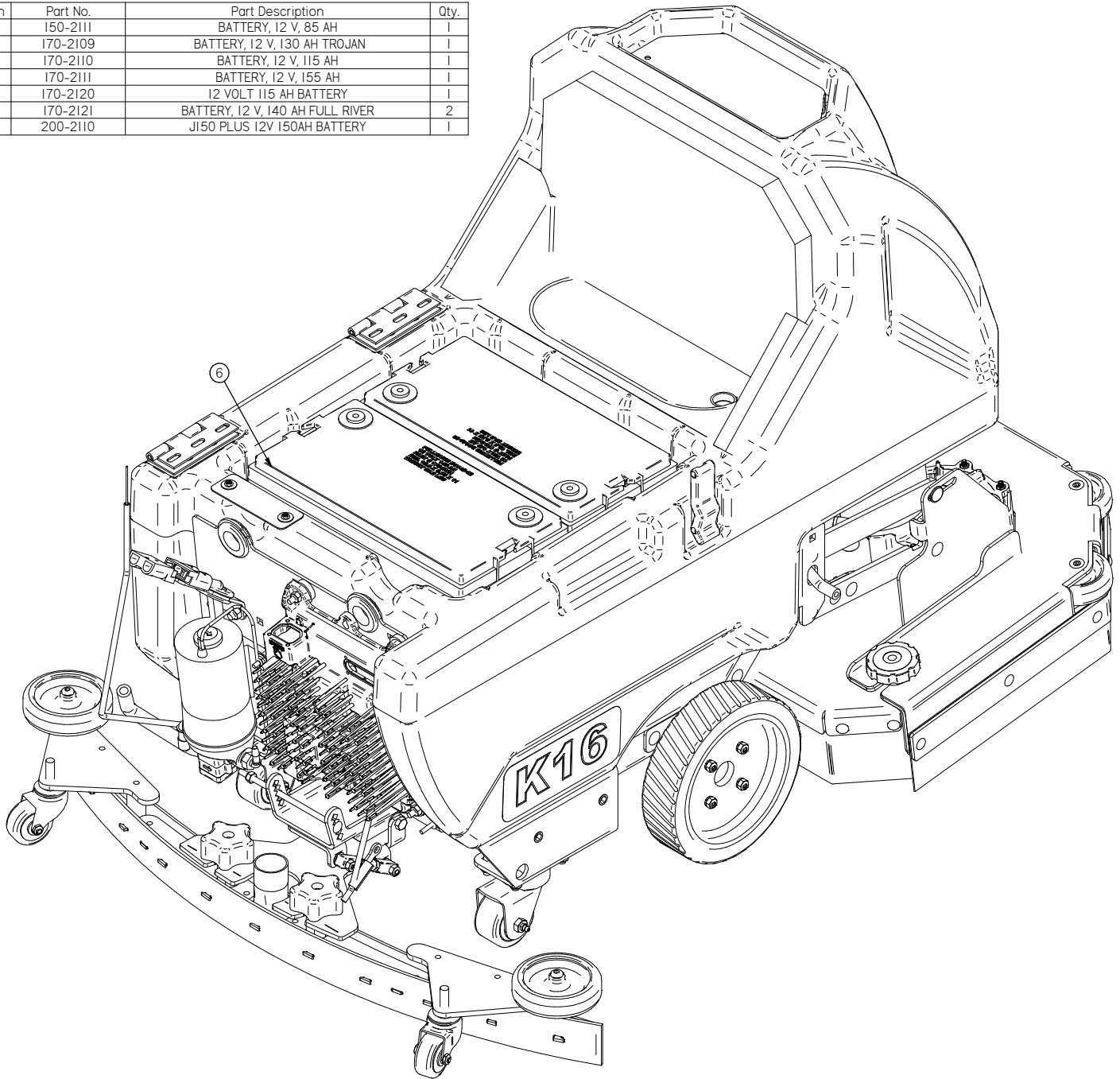


Circuit Breakers
Cylindrical (2) 30 amp
Disk (2) 30 amp
Orbital (1) 40 amp

Item	Part No.	Part Description	Qty.	Item	Part No.	Part Description	Qty.
1	150-2830	SWITCH, TOGGLE, MOM/OFF/MOM (DPDT)	1	37	7-228	SWITCH MOUNT PLATE	2
2	150-4480	HANDLE GRIP (BLUE)	1	38	7-229D	PUSH BUTTON SWITCH	2
3	170-1041	HANDLE BAR (DUAL BUTTON)	1	39	7-283	SWITCH, TOGGLE, MOM/OFF/MOM (DPDT)	1
4	175-0300	Emergency stop switch, 51 series, IC/O	1	40	7-292	5K POTENTIOMETER	1
5	175-2700	NEG INSULATOR POST (BLACK)	2	41	700-2590	DUAL USB PORTS	1
6	175-2710	POS INSULATOR POST (RED)	2	42	H-00282	FW 1/4" NYLON	2
7	190-1390	END CAP	2	43	H-0147994	3/8-32 X 1/2 PANEL NUT	1
8	190-4852	BRUSH PRESSURE GAUGE, 40 AMP	1	44	H-0172518	CB #10-32 X 1/2" SS	1
9	190-4855	24V BATTERY AND HOUR METER	1	45	H-1032HCN	HCN #10-32	10
10	190-9609	FUSE, RESETTABLE, 40 AMP	1	46	H-108	HEAT SHRINK	4
11	21-2230	MICRO SWITCH	1	47	H-11195	PROTECTIVE BOOT, TOGGLE SWITCH, (WHITE)	1
12	21-4520	SPEED CONTROL KNOB, RED	1	48	H-11196	PROTECTIVE BOOT, TOGGLE SWITCH, (RED)	1
13	260-1293	HAND GUARD	1	49	H-11199	PROTECTIVE BOOT, TOGGLE SWITCH, (BLUE)	1
14	260-2000	CONTROL PANEL WEIGHT	1	50	H-11200	PROTECTIVE BOOT, TOGGLE SWITCH, (BLACK)	1
15	260-2001	CONTROL PANEL COVER	1	51	H-11201	PROTECTIVE BOOT, TOGGLE SWITCH, (GRAY)	1
16	260-2003	VALVE LEVER (24V CC)	1	52	H-28667	PHP MS 4-40 X 3/4"	2
17	260-2011	CENTRAL COMMAND	1	53	H-33372	SHAFT COLLAR, 3/8" ID	4
18	260-2021	CENTRAL COMMAND STICKER (FRONT)	1	54	H-41007	AB4-3A BLIND RIVET	4
19	260-2021	CENTRAL COMMAND STICKER (LH SIDE)	1	55	H-70854	NYLOK #4-40 SS	2
20	260-2021	CENTRAL COMMAND STICKER (RH SIDE)	2	56	H-70856	NYLOK #8-32 SS	2
21	260-2021	CENTRAL COMMAND STICKER (TOP)	1	57	H-70860	NYLOK 1/4" - 20 SS	9
22	260-2701	CENTRAL COMMAND SPACER	4	58	H-70923	KN #10-32 SS	3
23	260-2898	IDRIVE 24V/36V, 70 AMP CONTROLLER	1	59	H-70925	KN 1/4-20 S/S	4
24	260-8270	FUSE RESETTABLE, 20 AMP	1	60	H-71013	FW 1/4 ID X 5/8 OD SS	1
25	290-2310	FULL RECOVERY (RED)	2	61	H-71057	LW #8, SS	4
26	290-234	KEY SWITCH (WITH KEY)	1	62	H-72398	PPH #8-32 X 1/2" S/S	4
27	290-234A	KEY SET (REPLACE)	1	63	H-72418	PPH #8-32 X 1" S/S	2
28	290-9609	FUSE, RESETTABLE, 30 AMP	2	64	H-72534	PPH #10-32 X 3/4" S/S	8
29	349-2331	RELAY, 24V, SMALL, W/FLAT MTG PLATE	2	65	H-72536	PPH #10-32 X 1" S/S	2
30	349-9604	FUSE, RESETTABLE, 4 AMP, 50V DC MAX	1	66	H-73752	BHSCS 1/4 - 20 X 1/2" SS	4
31	370-8210	SWITCH, TOGGLE, ON/ON (DPDT)	2	67	H-74396	CB 1/4" - 20 X 1-3/4" SS	2
32	370-8920	TOGGLE, ON-OFF SPST	1	68	H-74418	CB 1/4" - 20 X 5/8" S/S	6
33	4-101	SERIAL NUMBER PLATE	1	69	H-74419	CB 1/4" - 20 X .75" SS	1
34	4-259	CONNECTOR, RED 50, HOUSING ONLY	1	70	H-9307K99	GROMMET, 2" ID X 2-5/8" OD	1
35	4-284	FUSE, RESETTABLE, 6 AMP, 50V DC MAX	2				
36	5-293	15 AMP RELAY	2				

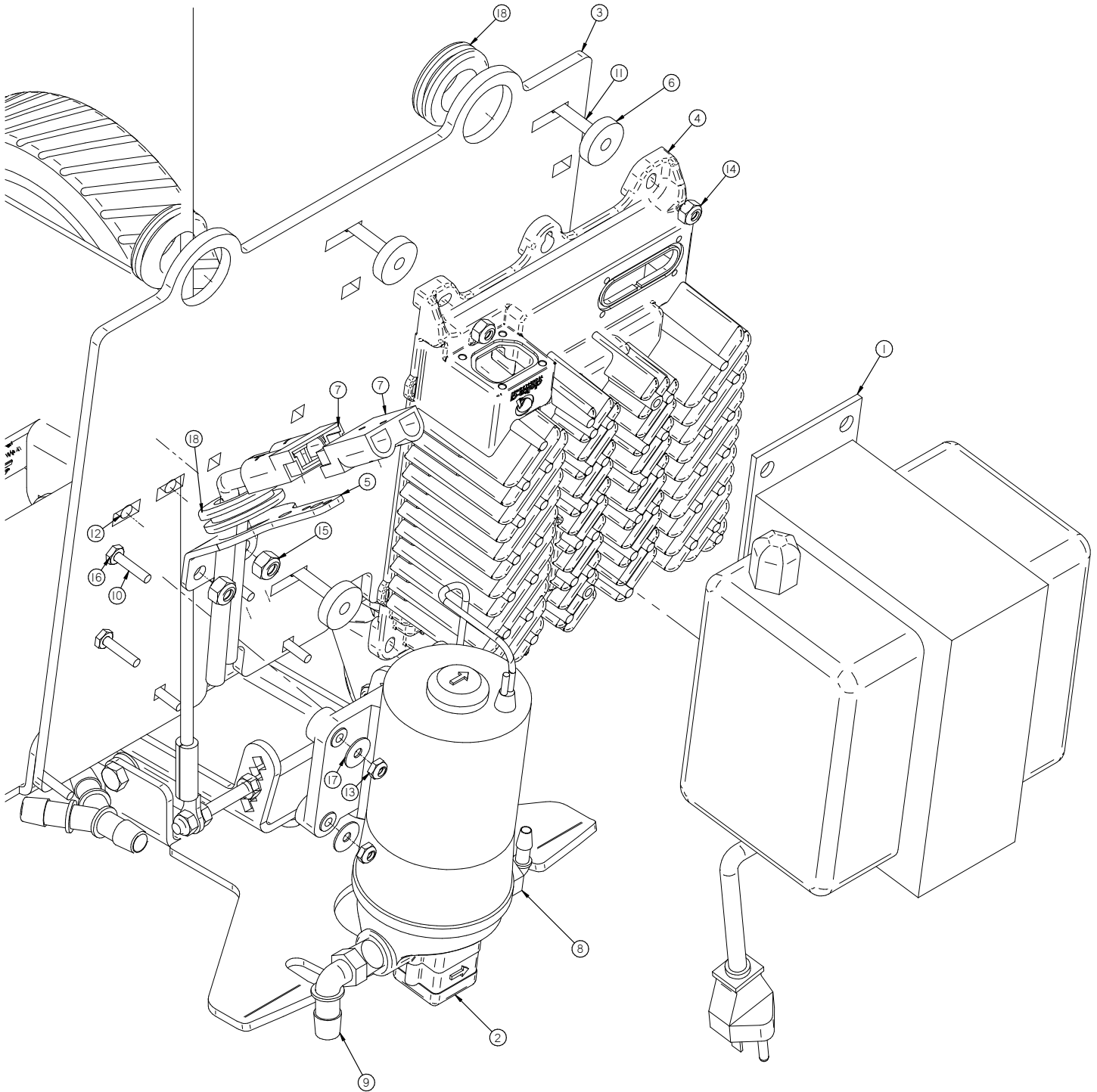
BATTERY PACK AND CHARGERS

Item	Part No.	Part Description	Qty.
1	150-2111	BATTERY, 12 V, 85 AH	1
2	170-2109	BATTERY, 12 V, 130 AH TROJAN	1
3	170-2110	BATTERY, 12 V, 115 AH	1
4	170-2111	BATTERY, 12 V, 155 AH	1
5	170-2120	12 VOLT 115 AH BATTERY	1
6	170-2121	BATTERY, 12 V, 140 AH FULL RIVER	2
7	200-2110	J150 PLUS 12V 150AH BATTERY	1



See charger operator manuals for proper programming

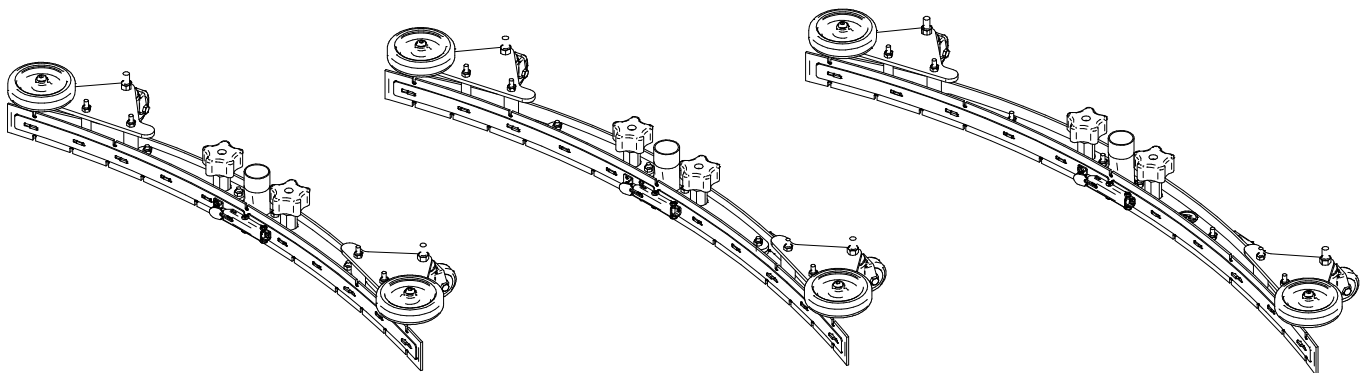
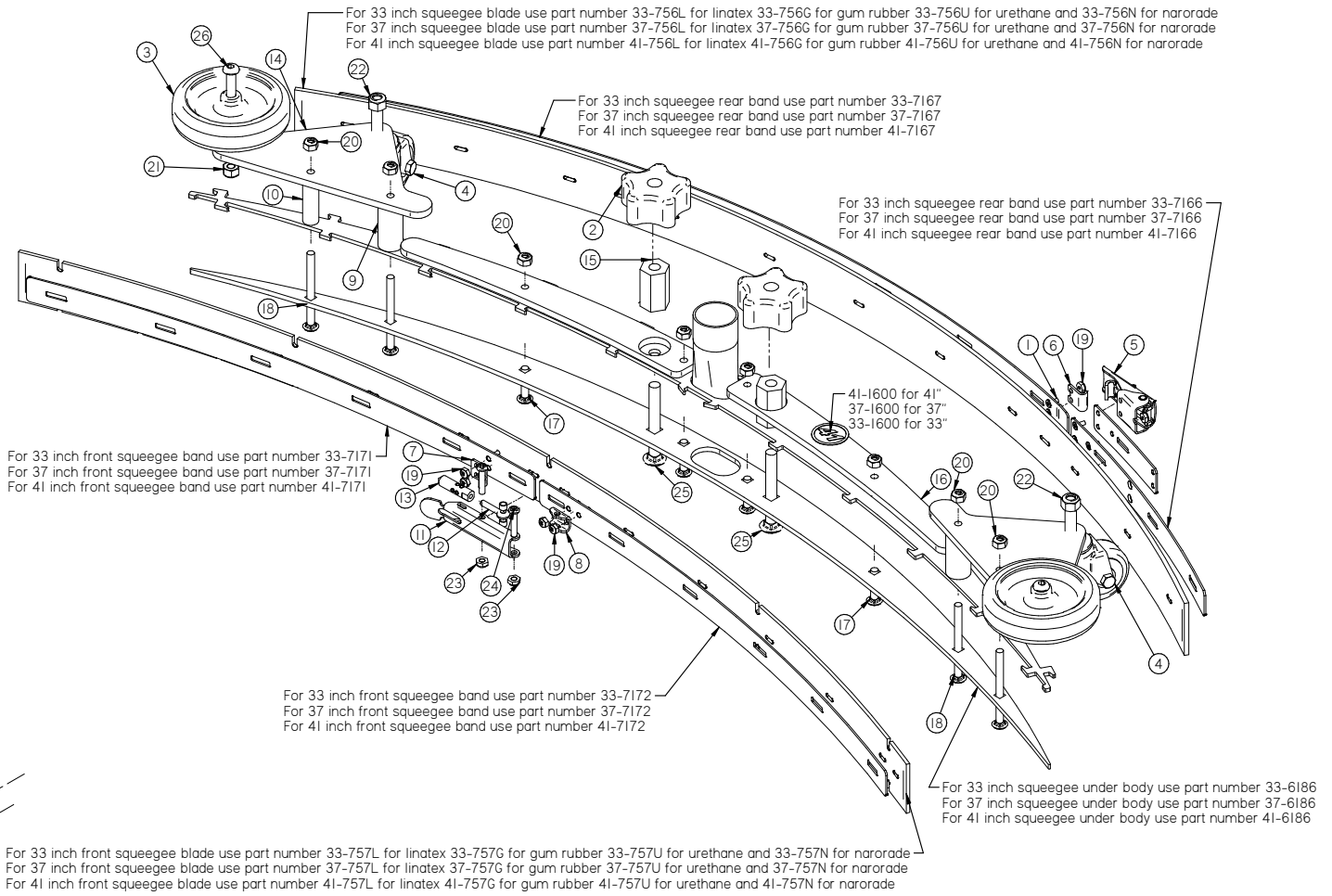
WHICH BATTERY CHARGER TO USE WITH BATTERY SELECTION			
Battery Part Number & Description	Off-Board Charger	On-Board Charger	Optional On-Board Charger
170-2120 115AH Full River	170-2440	170-2451	175-2460
170-2121 140AH Full River	170-2440	170-2451	264-2460



Item	Part No.	Part Description	Qty.
1	250-2441	36 VOLT 25 AMP BATTERY CHARGER	1
2	253-8910	PUMP, WATER JET	1
3	260-1010	UTILITIES PLATE	1
4	264-2440	ONBOARD CHARGER	1
5	264-9516	CHARGER CONECTOR BRACKET	1
6	300-01033Z	20 & 28" SPACER	4
7	4-259	CONNECTOR, RED 50, HOUSING ONLY	2
8	400-1225	.375 NPT X .25 BARB X 90 DEG	1
9	H-04763	ELBOW, 90 DEG X 3/8" MNPT X 1/2" BARB, NYLON	1
10	H-21057	CB #10-.24 X 1-1/4" ZINK	4
11	H-21157	CB 1/4"- 20 X 1.25" ZINK	4
12	H-21810	CB 5/16"- 18 X 3/4" ZINK	2
13	H-37015	NYLOK #10-32 ZINK	4
14	H-37019	NYLOK 1/4"- 20 ZINK	2
15	H-37021	NYLOK 5/16" - 18 ZINK	2
16	H-37408	KN #10-32 ZINK	4
17	H-71010	FW #10 ID X 11/16 OD SS	4
18	H-9307K74	GROMMET, 1" ID X 1-3/4" OD BUNA-N	3

SQUEEGEES

Item	Part No.	Part Description	Qty.	Item	Part No.	Part Description	Qty.
1		FHSCS #6-32 X 3/8" S/S	9	14	35-7183	SQUEEGE CASTER BRACKET	2
2	150-5786	STAR KNOB, 3/8-16 THREAD	2	15	35-8460	STANDOFF, 1.5"	2
3	150-7600	4" SIDE WHEEL (GREY)	2	16	45-6187	SQUEEGE WEIGHT	2
4	253-7570	CASTER	2	17	H-21157	CB 1/4"- 20 X 1.25" ZINK	4
5	29-7164	LATCH	1	18	H-21165	CB 1/4"- 20 X 3.0" ZINK	4
6	29-7168	BAND CLIP	1	19	H-37010	NYLOK #6-32 SS	9
7	29-7170	FRONT BAND CLIP	1	20	H-37019	NYLOK 1/4"- 20 ZINK	8
8	29-7173	FRONT BAND CLIP	1	21	H-37021	NYLOK 5/16" - 18 ZINK	2
9	35-0007	SQUEEGEE ROLLER SPACER	2	22	H-37025	NYLOK 3/8"-16 ZINK	2
10	35-0008	SQUEEGEE ROLLER SPACER	2	23	H-70858	NYLOK #10-32 SS	2
11	35-0125-01	LATCH BODY	1	24	H-72536	PPH #10-32 X 1" S/S	2
12	35-0125-03	1/4-20 X 3.00 LG EYE BOLT, FULL THREAD	1	25	H-74441	CB 3/8"- 16 X 3.0" S/S	2
13	35-0126	RAM TIP	1	26	H-94074	BHSCS 5/16-18 X 1.75 ZINK	2



33 INCH SQUEEGEE ASSEMBLY 233-7180

37 INCH SQUEEGEE ASSEMBLY 237-7180

41 INCH SQUEEGEE ASSEMBLY 241-7180

EDGE PADS AND SCREENS:

DESCRIPTION	20"×14" SCRUBDECK	24"×14" SCRUBDECK	28"×14" SCRUBDECK
White Pad	EDGE-4005	N/A	EDGE-4054
Red Pad	EDGE-4004	EDGE-2404	EDGE-4053
Blue Pad	EDGE-4003	EDGE-2403	EDGE-4052
Green Pad	EDGE-4002	EDGE-2402	EDGE-4051
Black Pad	EDGE-4001	EDGE-2401	EDGE-4050
White Driver Pad	EDGE-4025	N/A	EDGE-4058
60 Grit Sand Screen	N/A	N/A	EDGE-4059
80 Grit Sand Screen	N/A	N/A	EDGE-4060
100 Grit Sand Screen	N/A	N/A	EDGE-4061
120 Grit Sand Screen	N/A	N/A	EDGE-4062
150 Grit Sand Screen	N/A	N/A	EDGE-4063
400 Grit HD Non Woven Polishing Pad	N/A	N/A	300-2014400
800 Grit HD Non Woven Polishing Pad	N/A	N/A	300-2014800
1500 Grit HD Non Woven Polishing Pad	N/A	N/A	300-20141500
3000 Grit HD Non Woven Polishing Pad	N/A	N/A	300-20143000
6000 Grit Diamond Poly Pad	N/A	N/A	EDGE-4070
Tile/Grout Renovator Pad	EDGE-4069	N/A	EDGE-4048
Dominator HD Strip Pad	EDGE-4006	N/A	EDGE-4055
Maroon ECO Prep Pad	EDGE-4007	EDGE-2407	EDGE-4056
Microfiber Pad	EDGE-4036	EDGE-2436	EDGE-6036

COMMON WEAR PARTS

ROUND DISK BRUSHES:

NOTICE

The ## in Disk Column Denotes Desk Pad Size: 13", 14" or 20"

BRUSHES	DISK	LEVEL
Midi Grit	706-##C	Medium
Light Grit	706-##PS	Moderate
Nylon	706-##N	Light
Pad Driver	706-##D	
Pad Driver Pad Retainer	#40-433	
Pad Driver Spring Clip	#40-423	

ROUND DISK PADS:

NOTICE

The ## in Disk Column Denotes Desk Pad Size: 13", 14" or 20"

DISK PADS	DISK	LEVEL	COLOR
Super Black	##-422BB	Very High	Black
Black	##-422B	High	Black
Brown	##-422BR	High	Brown
Green	##-422G	Medium	Green
Blue	##-422BL	Moderate	Blue
Red	##-422R	Moderate	Red
White	##-422W	Light	White

CYLINDRICAL BRUSHES:

BRUSHES	MODEL 26" CYLINDRICAL	LEVEL
Midi Grit	75-246C	Medium
Light Grit	75-246PS	Moderate
Nylon	75-246N	Light

SQUEEGEE BLADE KITS & COMPLETE SQUEEGEE ASSEMBLIES:

SQUEEGEE SIZE	20" DECK	24" DECK	26" DECK	28" DECK
33" Squeegee	Standard	Optional	Optional	Optional
37" Squeegee	Optional	Standard	Standard	Standard

SQUEEGEE SIZE	LINATEX BLADE KIT	GUM RUBBER BLADE KIT	URETHANE BLADE KIT	NANORADE BLADE KIT	COMPLETE SQUEEGEE ASSEMBLIES
33" Squeegee	233-770L	233-770G	233-770U	233-756N	233-7180
37" Squeegee	237-770L	237-770G	237-770U	237-756N	237-7180

SQUEEGEE MATERIAL:	USED FOR:
LINATEX	Provides best wear and tear resistance. Not designed for use with harsh chemicals.
URETHANE	Provides best resistance when dealing with harsh chemicals, oils, fuels, etc.
GUM	Provides best drying performance on rough/grouted floor types by sealing over irregularities. Short life.
NANORADE	Increased durability, optimal water pick up and reduced friction.

NOTICE


Squeegee blade kits include (1) Rear Blade, (1) Front Blade, and (2) Caster Wheels with hardware.

NOTICE

Squeegee Assemblies (complete) listed above all come with Linatex blades.

NOTICE

Size is denoted by label on top squeegee.



The diagram shows a top-down view of a squeegee assembly. It consists of a central yellow blade mounted on a black frame. The frame has two wheels at the ends. A callout box points to the top of the blade, showing a label with the number '37' and '00' above it, and '94cm' below it.

