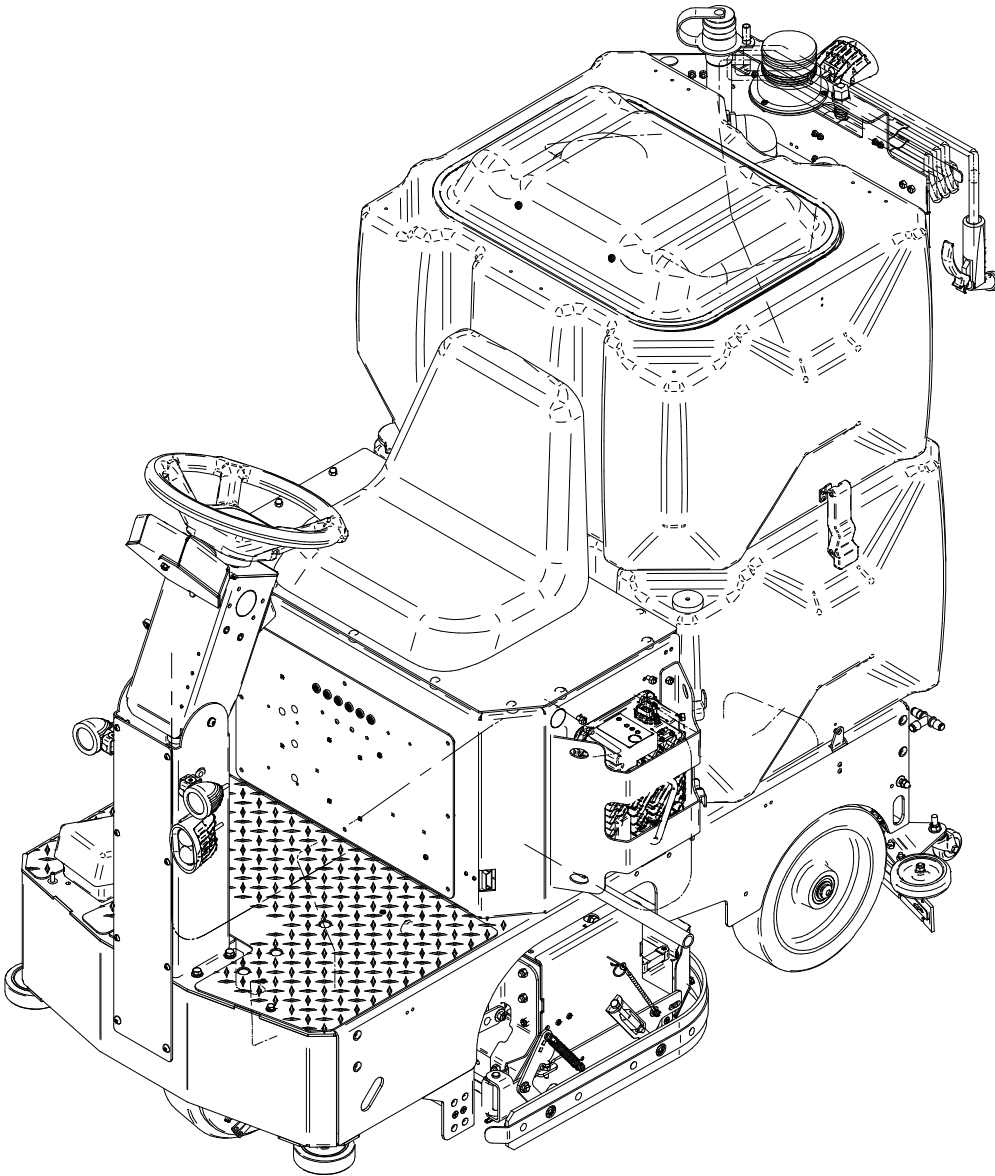




Parts Manual (EN)

Models:

28", 30" 32" Disk
26" & 30" Cylindrical



Read the Operators Manual
before using the machine.



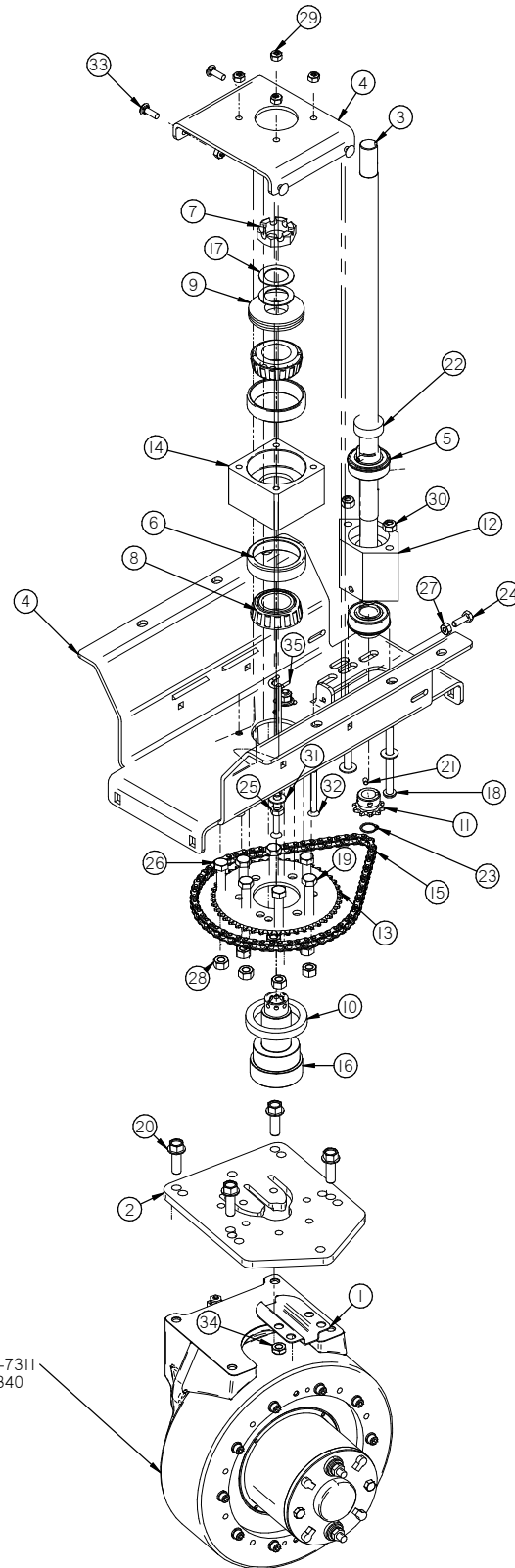
Read the Safety Messages
before servicing machine.

CONTENTS

Front wheel drive3
Front wheel drive assembly4
Steering upright5
Top steering upright.6
Dash board7
Touch screen dash8
Steering shaft assembly9
28", 30" & 32" disk deck	10
Disk deck shrouds	11
26" & 30" cylindrical deck	12
26" & 30" cylindrical deck	13
26" & 30" cylindrical deck door	14
Seatbox & central command	15
Central command pannel	16
Touch screen central command	17
Recovery Tank Assembly.	18
Solution tank assembly	19
Ball float	20
Tank utility handle	21
Vac box	22
Vac box assembly	23
Squeegee linkage	24
Rear axle & linkage assembly	25
Squeegees	26
Battery and charger options	27

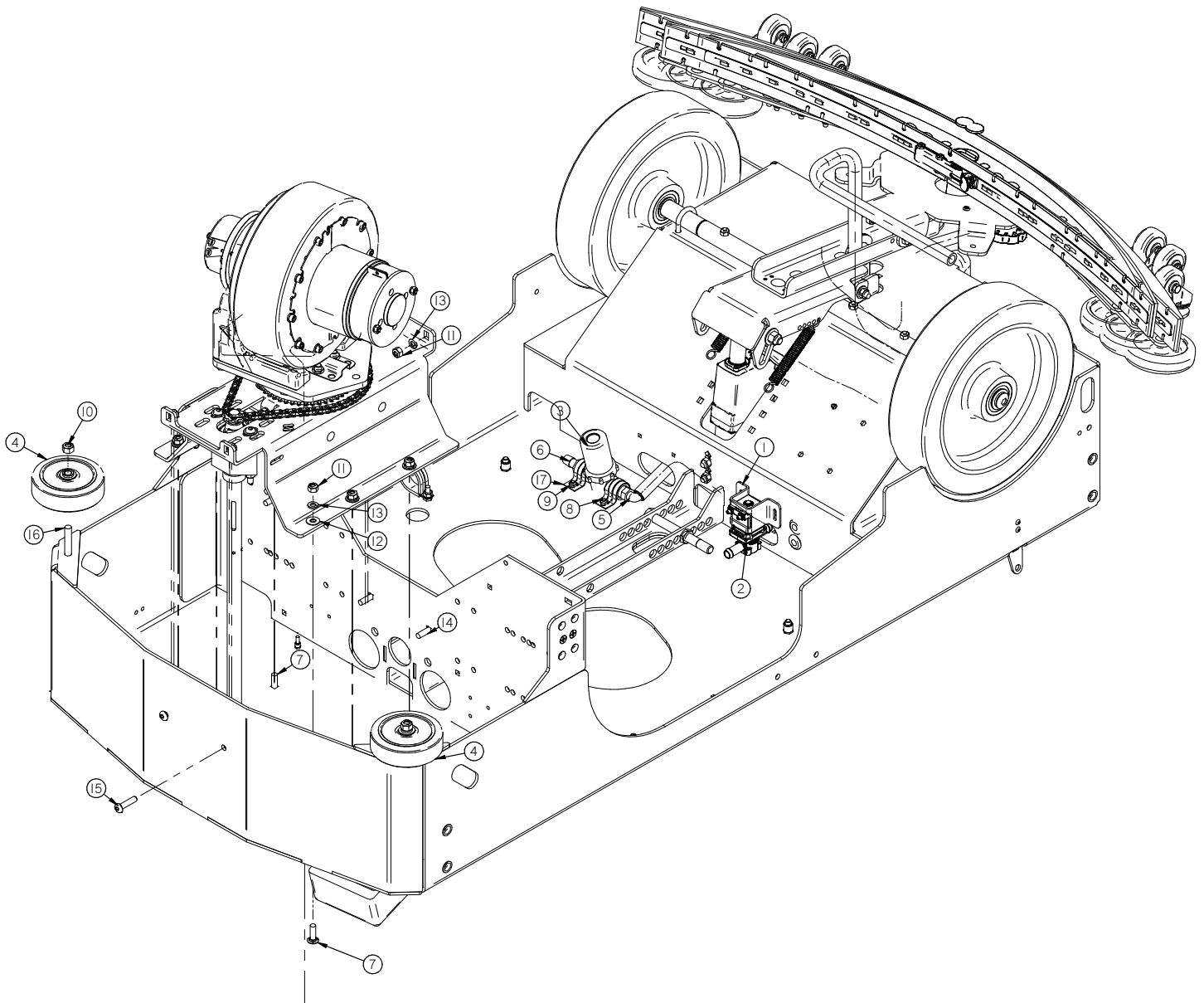
FRONT WHEEL DRIVE

Item	Part No.	Part Description	Qty.
1	250-7328	WIRE GUIDE	1
2	261-7326	PIVOT PLATE (CHIAPHUA)	1
3	290-7121	STEERING SHAFT, LOWER	1
4	290-7333	FRONT DRIVE DROP PLATE	1
5	349-7231	BEARING W/SET SCREW	2
6	37-7318	TAPERED BEARING CUP	2
7	37-7321	SLOTTED NUT, 2.0 - 12	1
8	370-7317	TAPERED ROLLER BEARING	2
9	370-7321	PRE LOAD SLEEVE	1
10	370-8374	BEARING SEAL	1
11	5-826	10 TOOTH SPROCKET 5/8 SHAFT	1
12	500-7231-01	BEARING BLOCK	1
13	500-7314	48 Tooth Sprocket	1
14	600-7230	BEARING BLOCK	1
15	600-7327	48 TOOTH STEERING CHAIN	1
16	600-7332	STEERING SPINDLE	1
17	8-713	1 1/2" THRUST WASHER	2
18	H-0171294	BHSCS 5/16-18 X 3.5	2
19	H-0172948	HCS 3/8"- 24 X 1-3/4" SS FULL THREADED	2
20	H-11115680	FB CASHD M10-1.5 X 30mm	4
21	H-25306	SSS CP #10-32 X 1/4"	3
22	H-33376	SHAFT COLLAR, 3/4" ID X 9/16 LG	1
23	H-68013	SNAPRING	1
24	H-70003	HCS 1/4"-20 X 3/4" SS	1
25	H-70053	HCS 5/16"- 18 X 3/4" SS	2
26	H-70143	HCS 3/8"- 24 X 1-1/4" SS FULL THREADED	5
27	H-70710	HN 1/4"- 20 SS	1
28	H-70732	HN 3/8"- 24 SS	6
29	H-70860	NYLOK 1/4"- 20 SS	5
30	H-70861	NYLOK 5/16"- 18 SS	4
31	H-71015	FW 5/16 ID X 3/4 OD SS	5
32	H-72720	FHP 1/4"- 20 X 2-1/4"	4
33	H-74419	CB 1/4"- 20 X .75" SS	4
34	H-NJ06C	JNYL 3/8-16 SS	1
35	M-938IT24	S-HOOK	1



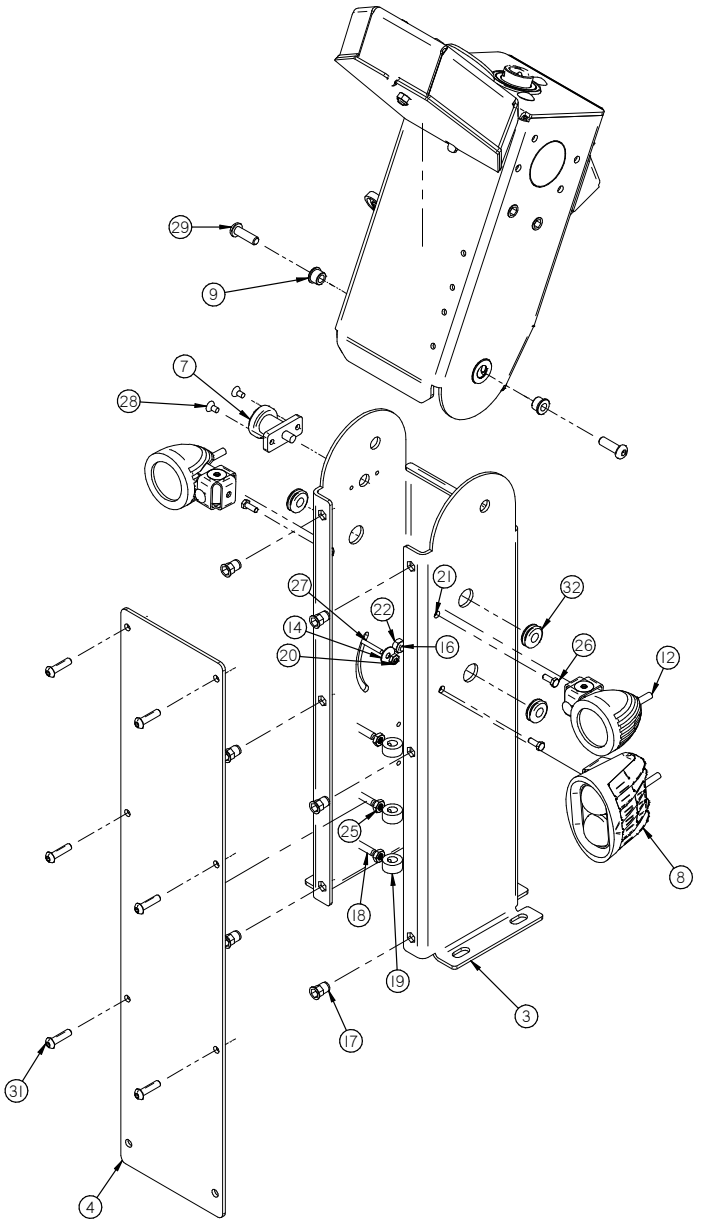
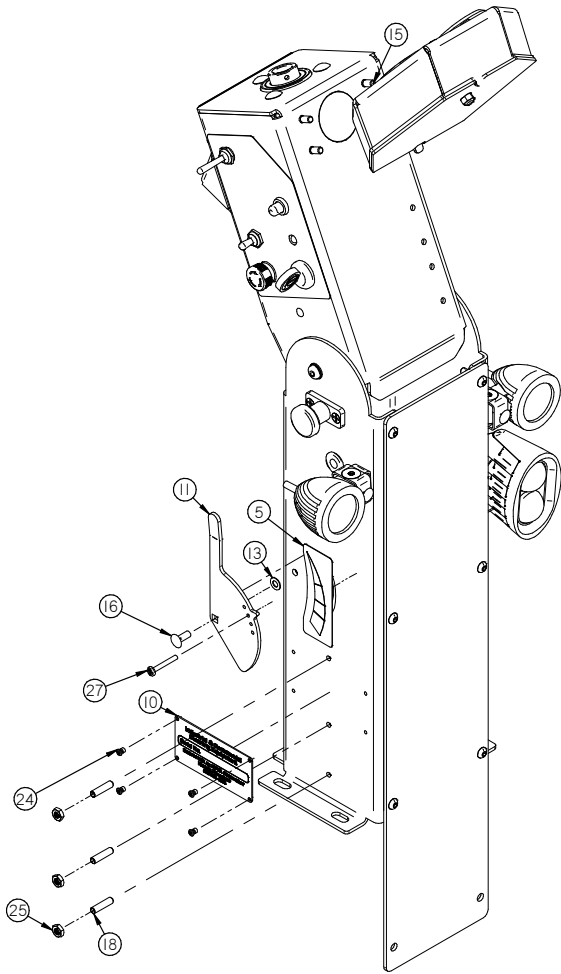
TIMBERLINE - GRAY TIRE - PART# 261-7311
 KODIAK - BLACK TIRE - PART# 349-7340

FRONT WHEEL DRIVE ASSEMBLY



Item	Part No.	Part Description	Qty.
1	150-5280	VALVE BRACKET	1
2	175-4500	DELTR0 VALVE	1
3	175-9130	INLINE FILTER W/BBLUE 50 MESH SCREEN	1
4	190-3030	4.0" WHEEL (GRAY)	2
5	H-04764	ELBOW, 90 DEG X 3/8" MNPT X 1/2" BARB, NYLON	1
6	H-04788	.50 NPT X .50 BARB	1
7	H-21811	CB 5/16"- 18 X 1" ZINK	2
8	H-29506	FHP #10-32 X 1/2" ZINK	1
9	H-37015	NYLOK #10-32 ZINK	1
10	H-37025	NYLOK 3/8"-16 ZINK	2
11	H-70861	NYLOK 5/16" - 18 SS	9
12	H-71015	FW 5/16 ID X 3/4 OD SS	4
13	H-71065	LW 5/16" SS	8
14	H-74430	CB 5/16"- 18 X 1" SS	1
15	H-94054	BHSCS 5/16-18 X 1-1/4" ZINK	2
16	H-94096	BHSCS 3/8"- 16 X 2" ZINK	2
17	M-9434T22	1.0 DIA One Hole Tube Clamp	2

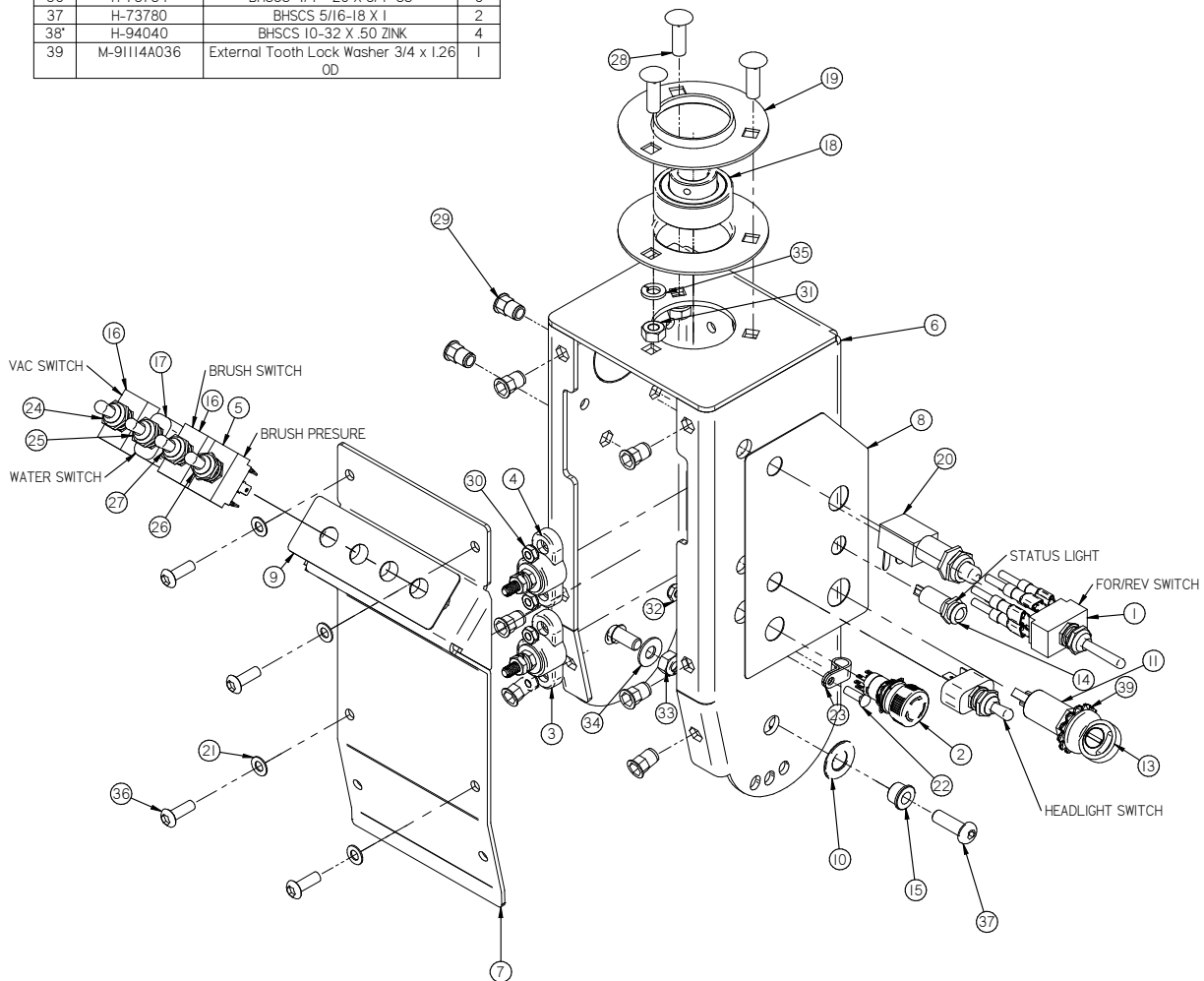
STEERING UPRIGHT



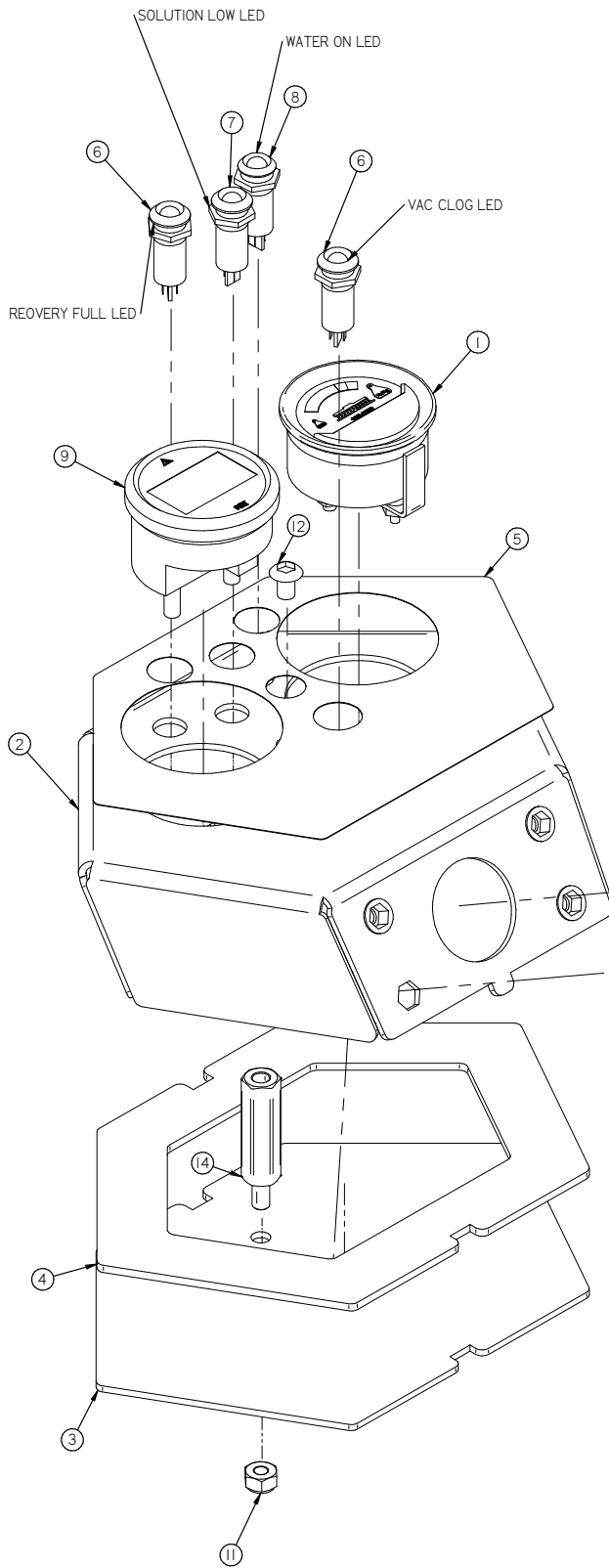
Item	Part No.	Part Description	Qty.
1*	I75-2700	NEG INSULATOR POST (BLACK)	1
2*	I75-2710	POS INSULATOR POST (RED)	1
3	261-1502	STEERING TOWER	1
4	261-1509	STEERING TOWER FRONT PANNEL	1
5	261-2020	Water Level Decal	1
6*	261-4023	Front Switch Pannel Gasket	1
7	290-7050	INDEX PLUNGER	1
8	349-2910	BLUE WARNING LIGHT	1
9	370-1245	BUSHING	2
10	4-101	SERIAL NUMBER PLATE	1
11	500-2003	VALVE LEVER	1
12	500-2910	HEAD LIGHT	2
13	H-00282	FW 1/4" NYLON	3
14	H-0172785	FNW 1/4 ID X 11/16 OD SS	1
15	H-13002	HCS 1/4"-20 X 5/8" ZINK	4
16	H-21800	CB 1/4"- 20 X 5/8" ZINC	1
17	H-250HCN	HCN 1/4"-20	6
18	H-25386	SSS, KNL, 1/4-20 X 1"	3
19	H-33372	SHAFT COLLAR, 3/8" ID	3
20	H-37012	NYLOK #8-32	1
21	H-37015	NYLOK #10-32 ZINC	3
22	H-37019	NYLOK 1/4"- 20 ZINC	1
23*	H-37408	KN #10-32 ZINK	4
24	H-41007	AB4-3A BLIND RIVET ALUMINUM	4
25	H-70810	1/4-20 JAM NUT	6
26	H-71671	HXMS #10-32 X 1/2" SS	3
27	H-72419	PPH #8-32 X 1-1/4" S/S	1
28	H-72681	FHP #10-32 X 3/8" SS	2
29	H-73780	BHSCS 5/16-18 X 1	2
30*	H-94040	BHSCS 10-32 X .50 ZINK	4
31	H-94053	BHSCS .25-20 X 1.00 ZINK	6
32	M-9307K23	GROMMET, 3/8 ID X 7/8 OD X 1/8 TH.	3

TOP STEERING UPRIGHT

Item	Part No.	Part Description	Qty.
1	150-2830	SWITCH, TOGGLE, MOM/OFF/MOM (DPDT) With Wire Clips	1
2	175-0300	Emergency stop switch, 51 series, I/C/O	1
3	175-2700	NEG INSULATOR POST (BLACK)	1
4	175-2710	POS INSULATOR POST (RED)	1
5	260-2831	SWITCH, TOGGLE, MOM/OFF/MOM (DPDT)	1
6	261-1501	UPPER STEERING TOWER	1
7	261-1506	COVER WITH SWITCHES	1
8	261-2020	TOWER DECAL	1
9	261-2020	Switch Decal	1
10	290-1247	BRONZE THRUST BEARING, .50" ID X 1.0" OD X 1/16" TH	2
11	290-234	KEY SWITCH	1
12	290-234	KEY SWITCH	1
13	290-234A	KEY SET (REPLACE)	1
14	290-2350	YELLOW LIGHT	1
15	370-1245	BUSHING	2
16	370-8210	SWITCH, TOGGLE, ON/ON (DPDT)	2
17	370-8920	TOGGLE, ON-OFF SPST	2
18	4-352	BEARING	1
19	4-364A	FLANGE, 1.75" ID	2
20	8-294B	PUSH BUTTON SWITCH, SILVER	1
21	H-00282	FW 1/4" NYLON	6
22	H-0172519	CB #10-32 X 5/8" SS	1
23	H-02239	3/8" NYLON LOOP CLAMP	1
24	H-11195	PROTECTIVE BOOT, TOGGLE SWITCH, (WHITE)	1
25	H-11199	PROTECTIVE BOOT, TOGGLE SWITCH, (BLUE)	1
26	H-11200	PROTECTIVE BOOT, TOGGLE SWITCH, (BLACK)	2
27	H-11201	PROTECTIVE BOOT, TOGGLE SWITCH, (GRAY)	1
28	H-21811	CB 5/16" - 18 X 1" ZINK	3
29	H-250HCN	HCN 1/4" - 20	8
30	H-37408	KN #10-32 ZINK	4
31	H-70711	HN 5/16" - 18 SS	3
32	H-70858	NYLOK #10-32 SS	1
33	H-70861	NYLOK 5/16" - 18 SS	2
34	H-71015	FW 5/16 ID X 3/4 OD SS	2
35	H-71065	LW 5/16" SS	4
36	H-73754	BHSCS 1/4 - 20 X 3/4" SS	6
37	H-73780	BHSCS 5/16-18 X 1	2
38	H-94040	BHSCS 10-32 X .50 ZINK	4
39	M-9114A036	External Tooth Lock Washer 3/4 x 1.26 OD	1

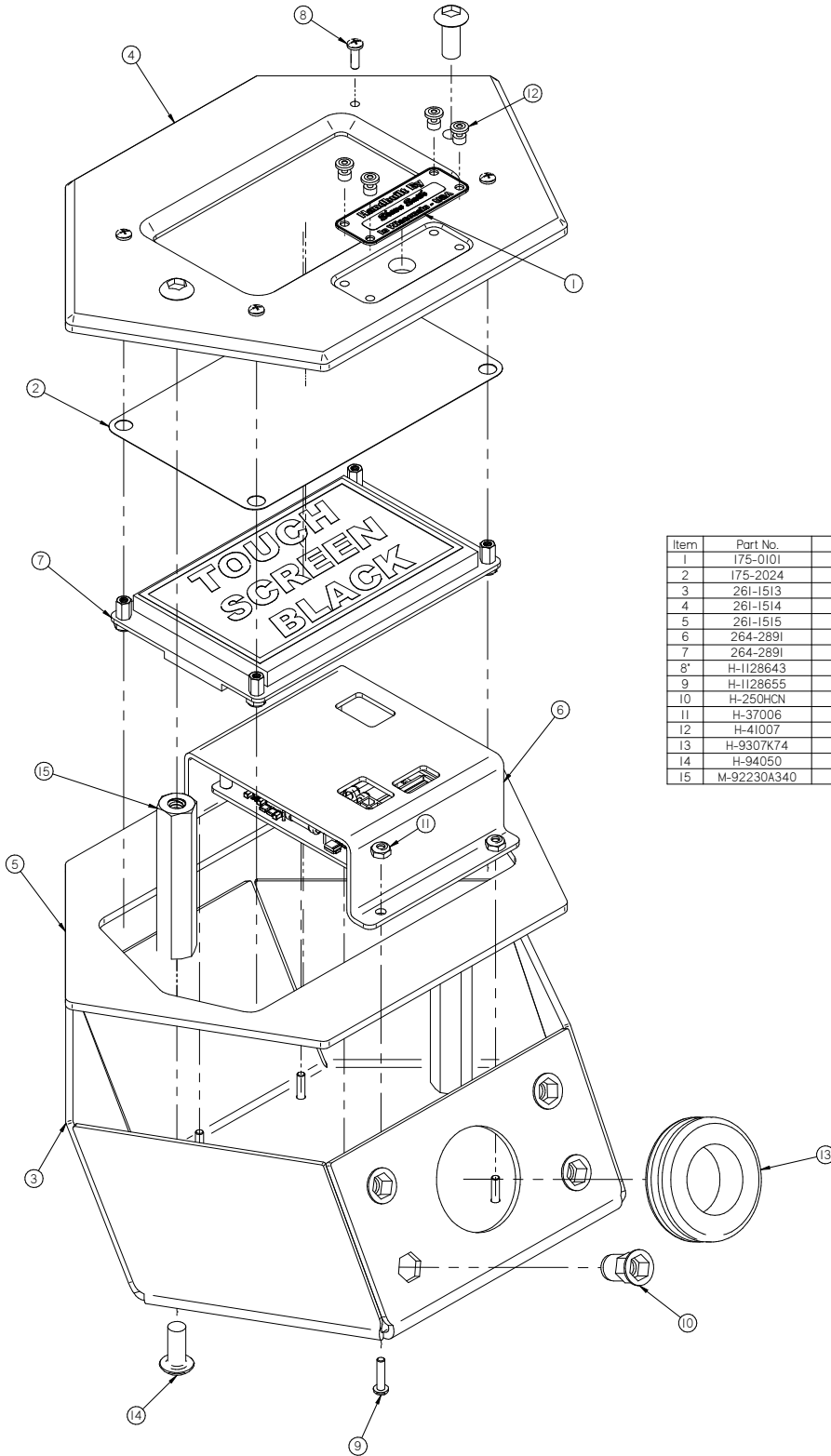


DASH BOARD



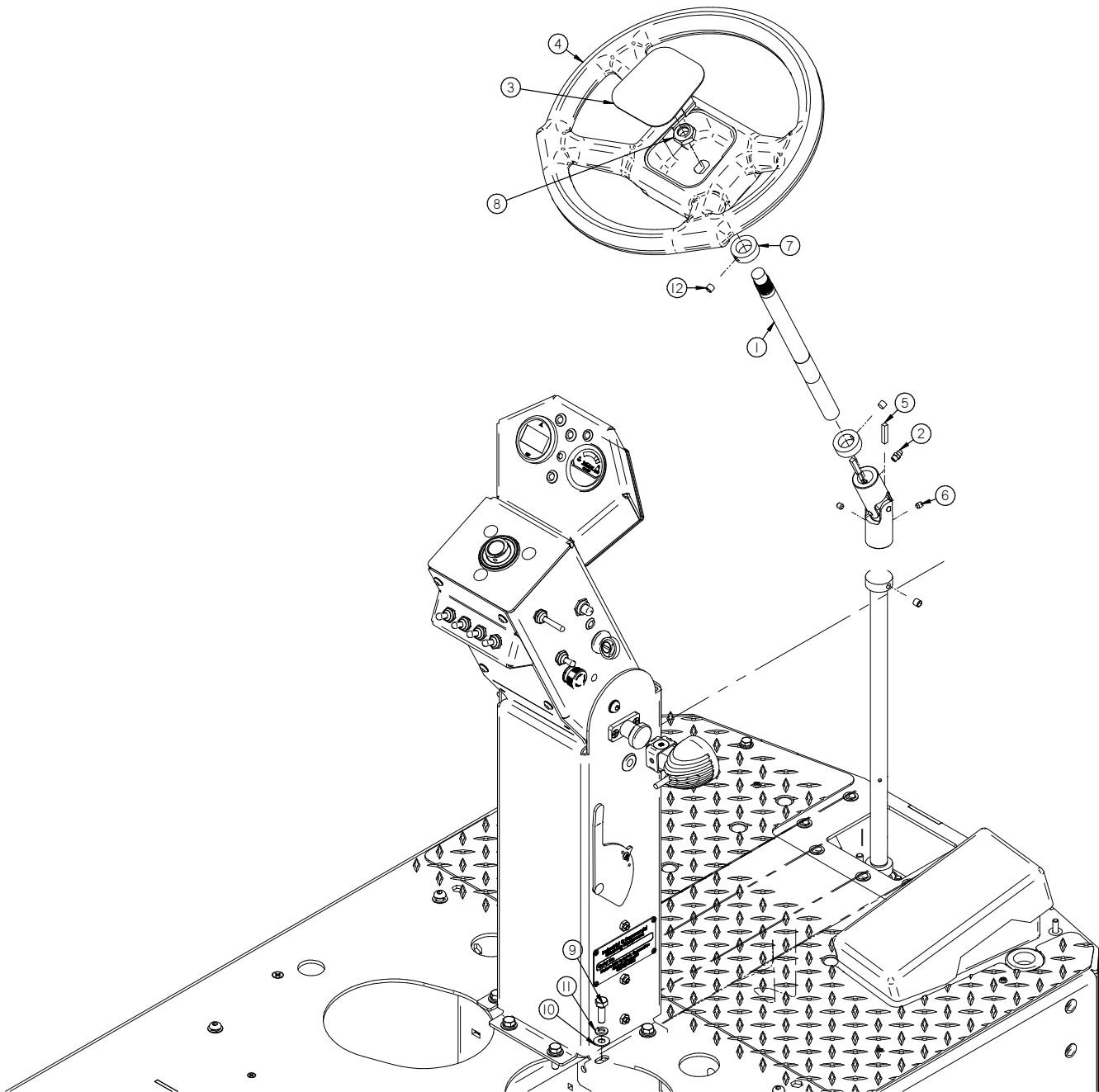
Item	Part No.	Part Description	Qty.
1	190-4852	BRUSH PRESSURE GAUGE, 40 AMP	1
2	261-1504	FRONT DASH	1
3	261-1505	FRONT DASH BOTTOM COVER	1
4	261-1507	FRONT DASH GASKET	1
5	261-2020	DASH DECAL	1
6	290-2330	RED LIGHT	2
7	290-2340	GREEN LIGHT	1
8	290-2350	YELLOW LIGHT	1
9	349-4855	Gauge, Battery, iGauge	1
10	H-250HCN	HCN 1/4"-20	4
11	H-37019	NYLOK 1/4"- 20 ZINC	1
12	H-73751	BHSCS 1/4 - 20 X 3/8" SS	1
13	H-9307K74	GROMMET, 1" ID X 1-3/4" OD BUNA-N	1
14	M-91075A943	1/4-20 Male to 1/4-20 Female standoff 1.75in Long	1

TOUCH SCREEN DASH



Item	Part No.	Part Description	Qty.
1	175-0101	BUILT BY PLATE	1
2	175-2024	TOUCH SCREEN PROTECTOR	1
3	261-1513	TOUCH SCREEN TUGS DASH BASE	1
4	261-1514	FRONT TOUCH SCREEN DASH	1
5	261-1515	BEST TUGS FRONT DASH GASKET	1
6	264-2891	TOUCH SCREEN CONTROLER	1
7	264-2891	4 INCH TOUCH SCREEN (BLACK)	1
8*	H-1128643	PPH #4-40 X .375 ZINK	4
9	H-1128655	PPH #4-40 X 1/2" ZINK	4
10	H-250HCN	HCN 1/4"-20	4
11	H-37006	NYLOK #4-40 ZINK	4
12	H-41007	AB4-3A BLIND RIVET ALUMINUM	4
13	H-9307K74	GROMMET, 1" ID X 1-3/4" OD BUNA-N	1
14	H-94050	BHSCS 1/4 - 20 X 5/8" ZINK	4
15	M-92230A340	1/4-20 x 2.5in - Female Standoff ZINK	2

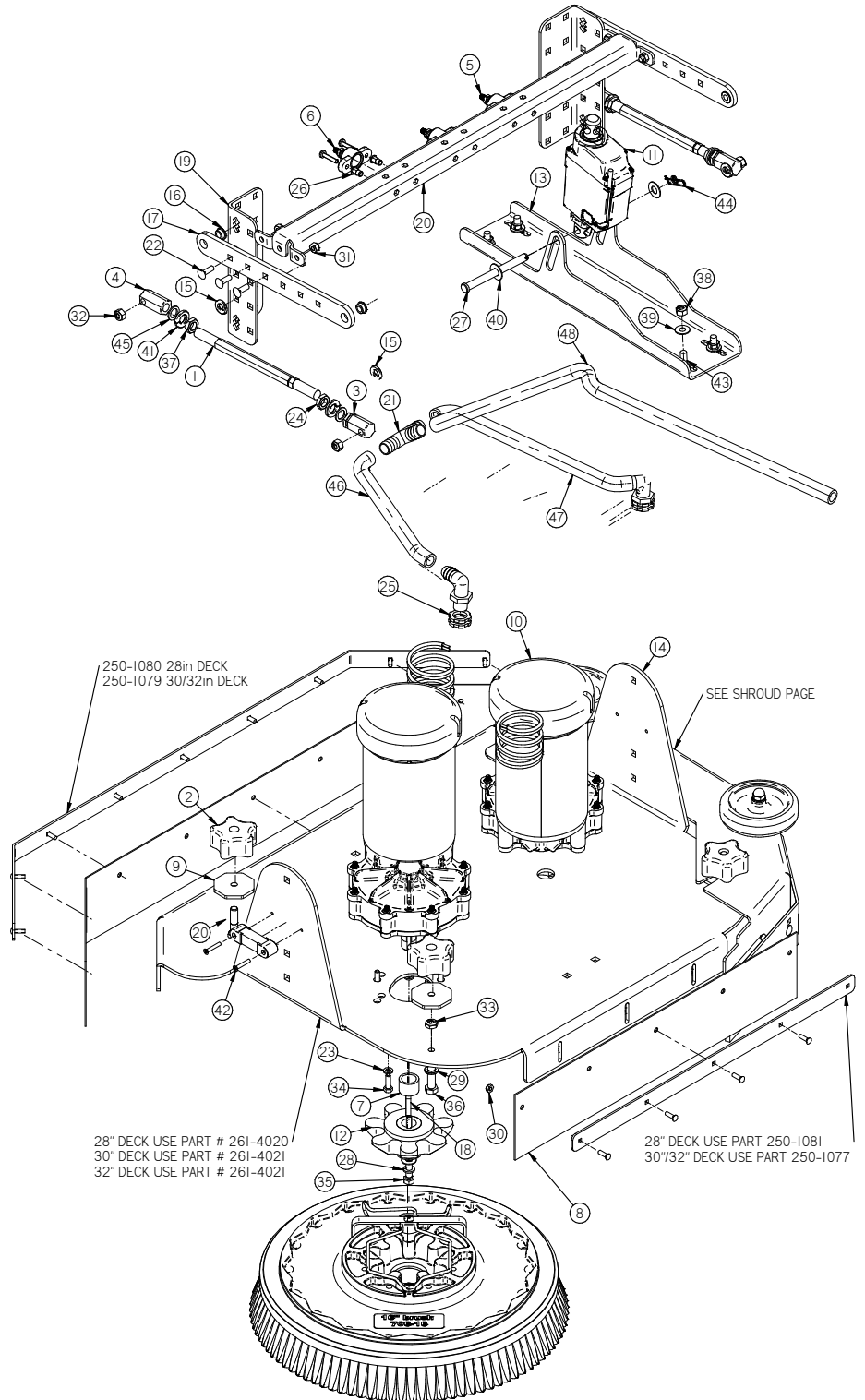
STEERING SHAFT ASSEMBLY



Item	Part No.	Part Description	Qty.
1	290-7090	STEERING SHAFT, UPPER	1
2	290-7111	1/4"-28 ZERK FITTING	1
3	8-701A	STEERING COVER	1
4	8-703	STEERING WHEEL	1
5	H-01125	3/16" X 1" KEY	1
6	H-25379	SETScrew, KCP, 1/4"-20 X 1/4"	1
7	H-33376	SHAFT COLLAR, 3/4" ID X 9/16 LG	1
8	H-37038	JNYL 5/8"- 11	1
9	H-70055	HCS 5/16"- 18 X 1" SS	6
10	H-71015	FW 5/16 ID X 3/4 OD SS	6
11	H-71065	LW 5/16" SS	6
12	H-81983	5/16" X 1/4" KURL SET SCREW	1

28", 30" & 32" DISK DECK

Item	Part No.	Part Description	Qty.
1	10-00	10" ADJUSTABLE LATERAL ARM BODY	2
2	150-5786	STAR KNOB, 3/8-16 THREAD	3
3	150-9583	ADJUSTABLE ROD END (LH THREAD)	2
4	150-9584	ADJUSTABLE ROD END (RH TREAD)	2
5	175-2700	NEG INSULATOR POST (BLACK)	1
6	175-2710	POS INSULATOR POST (RED)	1
7	175-5005	DRIVER SPACER	1
8	250-1078	25/29/33 REAR DECK CURTAIN	1
9	250-1084	SHROUD ADJUSTMENT KNOB	3
10	260-2111	MOTOR, 24V, 3/4 HP, 270 RPM	2
11	260-2210	2-1/2" STROKE ACTUATOR (24V 900Nm)	1
12	260-5000	BRUSH DRIVER RED HARD COAT (L7-LOBE.)	1
13	261-1103	DISK SCRUB DECK BRACKET	1
14	261-4021&261-4121	32"/30" SCRUB DECK	1
15	290-1237	FW BRONZE .75 OD X .375 IDX .125 THK	4
16	370-1247	BUSHING 5/16 X 1/2 X 3/16	4
17	5-124	LATERAL ARM	2
18	5-431	1/4" X 1" KEY	1
19	650-1265	SCRUB ARM BRACKET	2
20	650-9587	LIFT ARM CROSS BAR	1
21	7-247	5/8" PLASTIC BARB TEE	1
22	H-21153	CB 1/4"- 20 X .75" ZINC	5
23	H-0157797	LW 1/4" ZINK	3
24	H-0175075	LH HX JAM .50-20 SS	2
25	H-07005	1/2" NPT LOCKNUT	1
26	H-1032HCN	HCN #10-32	2
27	H-11121256	3/8" X 4" CLEVIS PIN	1
28	H-33620	LW 5/16" ZINK	1
29	H-33622	LW 3/8" ZINK	1
30	H-37015	NYLOK #10-32 ZINC	4
31	H-37019	NYLOK 1/4"- 20 ZINC	5
32	H-37021	NYLOK 5/16"- 18 ZINC	4
33	H-37126	JNYL 3/8"- 24 ZINC	1
34	H-38564	M6 METRIC BOLT	1
35	H-70055	HCS 5/16"- 18 X 1" SS	1
36	H-70111	HCS 3/8"- 16 X 2" SS	2
37	H-70834	HX JAM .50-20 SS	2
38	H-70861	NYLOK 5/16"- 18 SS	4
39	H-71015	FW 5/16 ID X 3/4 OD SS	4
40	H-71017	FW 3/8 ID X 7/8 OD SS	1
41	H-71071	LW 1/2" SS	4
42	H-72645	FHP #8-32 X 1.0"	1
43	H-74430	CB 5/16"- 18 X 1" SS	4
44	H-RUE14	3/8" RUE RING COTTER	1
45	M-98126A739	SHIM, 1/2" ID X 3/4" OD X 1/16" THICK, S/S	4
46	T-050C1100	1/2 ID C-Hose 11 Length	1
47	T-050C1200	1/2 ID C-Hose 12 Length	1
48	T-050C1400	1/2 ID C-Hose 14 Length	1

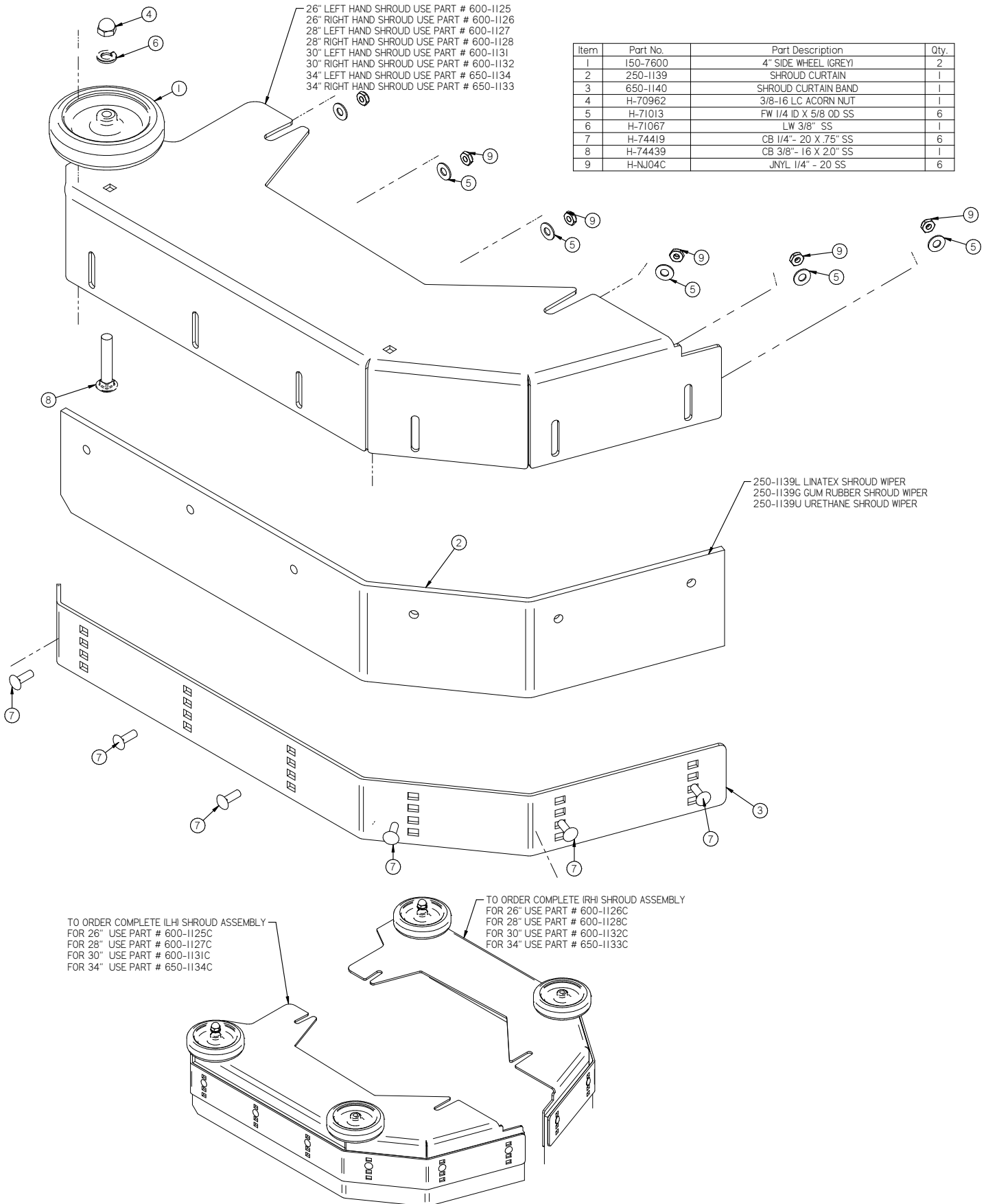


DISK DECK SHROUDS

Item	Part No.	Part Description	Qty.
1	150-7600	4" SIDE WHEEL (GREY)	2
2	250-1139	SHROUD CURTAIN BAND	1
3	650-1140	SHROUD CURTAIN BAND	1
4	H-70962	3/8-16 LC ACORN NUT	1
5	H-71013	FW 1/4 ID X 5/8 OD SS	6
6	H-71067	LW 3/8" SS	1
7	H-74419	CB 1/4" - 20 X .75" SS	6
8	H-74439	CB 3/8" - 16 X 2.0" SS	1
9	H-NJ04C	JNYL 1/4" - 20 SS	6

26" LEFT HAND SHROUD USE PART # 600-1125
 26" RIGHT HAND SHROUD USE PART # 600-1126
 28" LEFT HAND SHROUD USE PART # 600-1127
 28" RIGHT HAND SHROUD USE PART # 600-1128
 30" LEFT HAND SHROUD USE PART # 600-1131
 30" RIGHT HAND SHROUD USE PART # 600-1132
 34" LEFT HAND SHROUD USE PART # 650-1134
 34" RIGHT HAND SHROUD USE PART # 650-1133

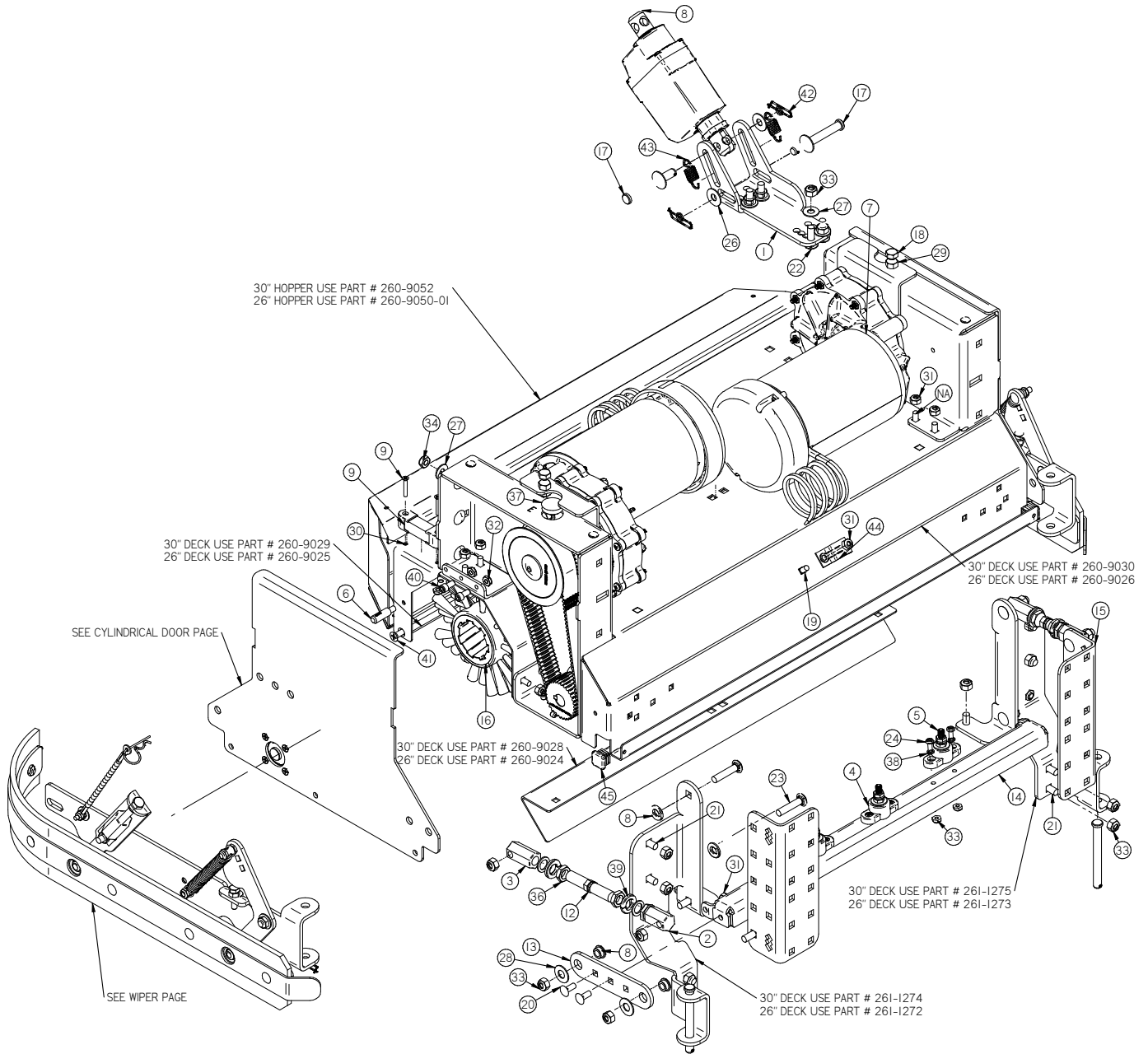
250-1139L LINATEX SHROUD WIPER
 250-1139G GUM RUBBER SHROUD WIPER
 250-1139U URETHANE SHROUD WIPER



TO ORDER COMPLETE ILHI SHROUD ASSEMBLY
 FOR 26" USE PART # 600-1125C
 FOR 28" USE PART # 600-1127C
 FOR 30" USE PART # 600-1131C
 FOR 34" USE PART # 650-1134C

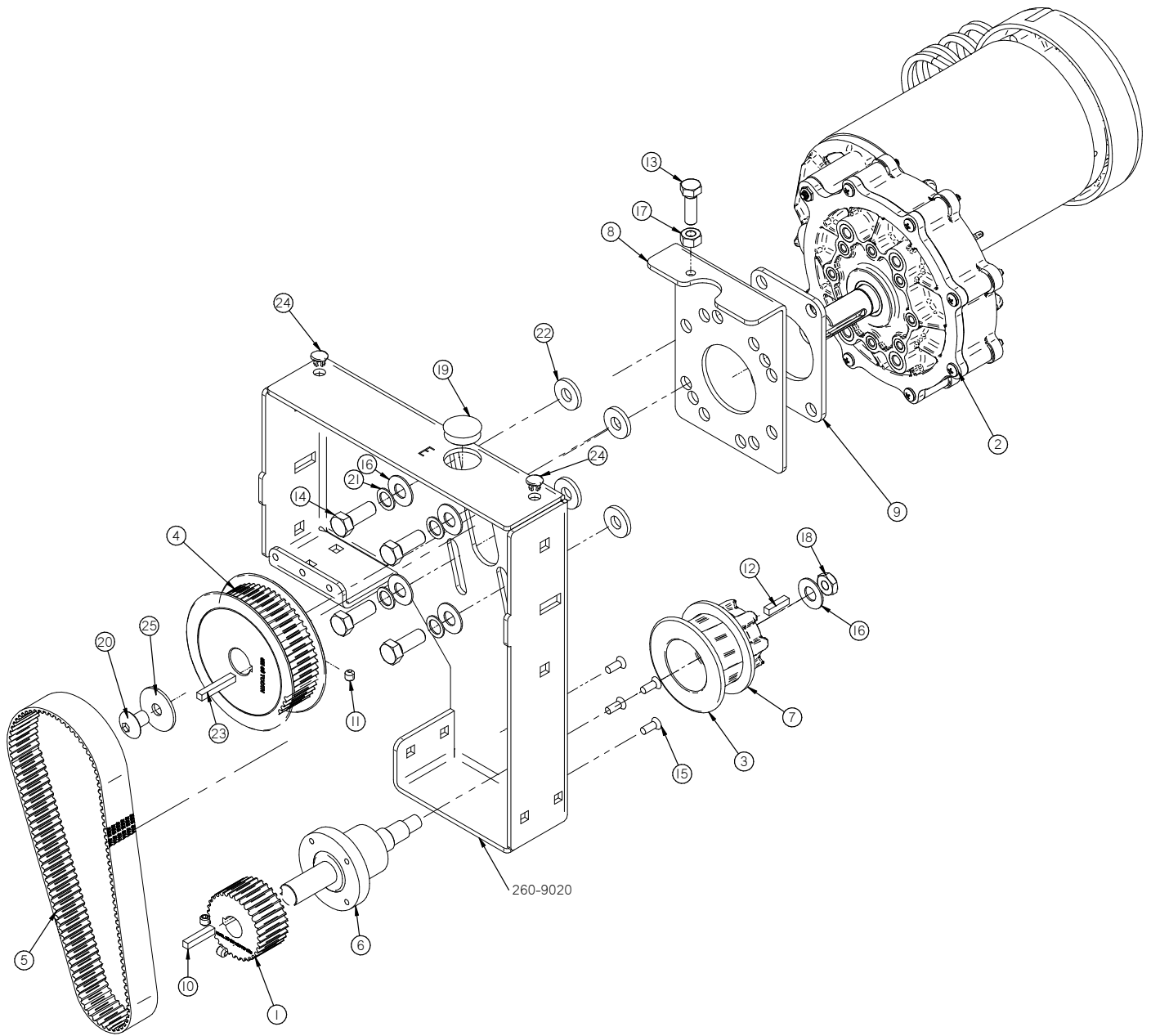
TO ORDER COMPLETE IRHI SHROUD ASSEMBLY
 FOR 26" USE PART # 600-1126C
 FOR 28" USE PART # 600-1128C
 FOR 30" USE PART # 600-1132C
 FOR 34" USE PART # 650-1133C

26" & 30" CYLINDRICAL DECK



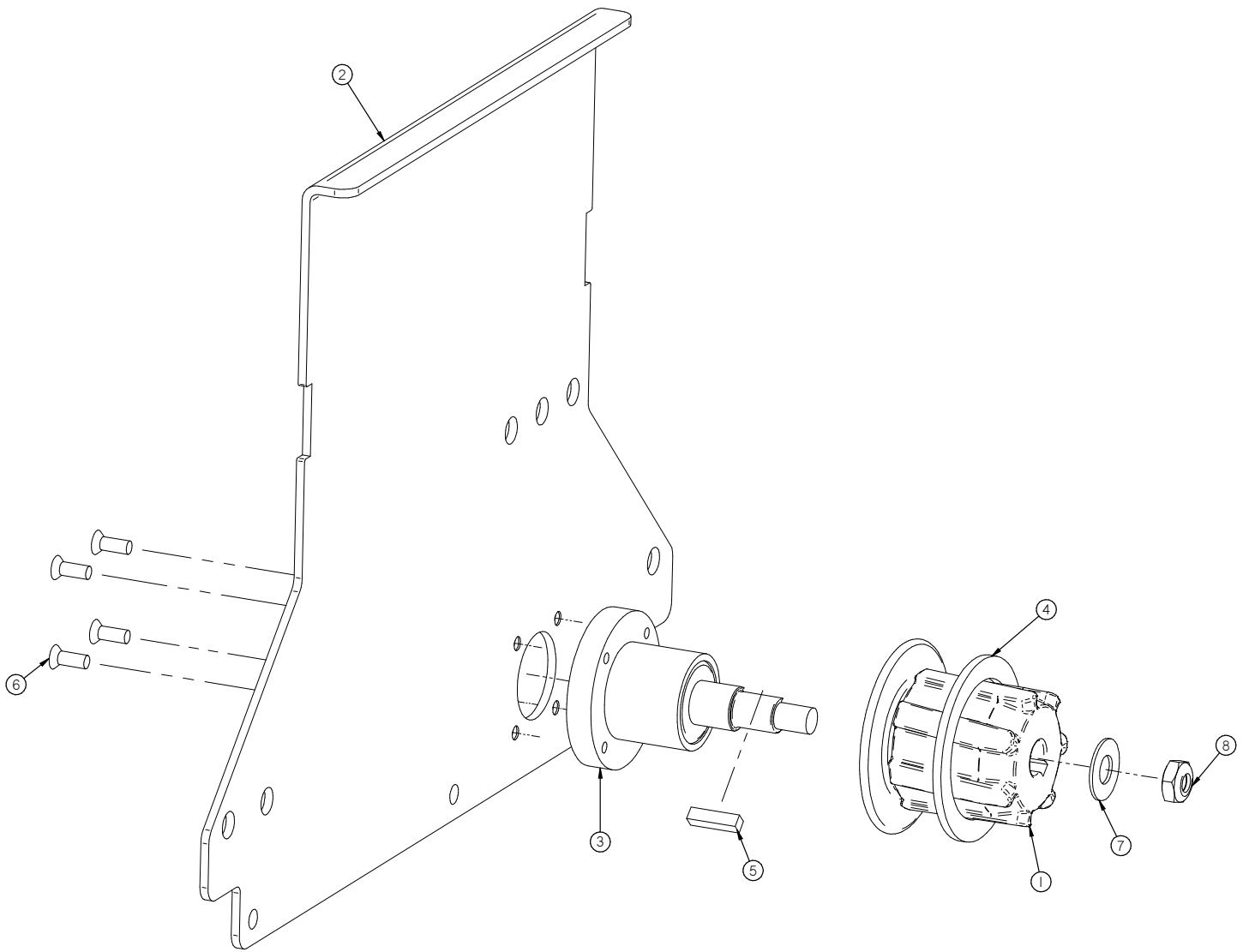
Item	Part No.	Part Description	Qty.	Item	Part No.	Part Description	Qty.
1	150-9006	DECK LIFTING BRACKET	1	27	H-33006	FW 5/16 ID X 3/4 OD ZINC	5
2	150-9583	ADJUSTABLE ROD END (LH THREAD)	2	28	H-33008	FW 3/8 ID X 7/8 OD ZINC	3
3	150-9584	ADJUSTABLE ROD END (RH THREAD)	2	29	H-36104	HN 5/16"- 18 ZINC	2
4	175-2700	NEG INSULATOR POST (BLACK)	1	30	H-37015	NYLOK #10-32 ZINC	3
5	175-2710	POS INSULATOR POST (RED)	2	31	H-37019	NYLOK 1/4"- 20 ZINC	6
6	250-0001	RETAINER PIN	2	32	H-37020	JNYL 1/4"- 20 ZINC	1
7	260-2111	MOTOR, 24V, 3/4 HP, 270 RPM	2	33	H-37021	NYLOK 5/16"- 18 ZINC	16
8	290-1237	FW BRONZE .75 OD X .375 ID X .125 THK	2	34	H-37023	JNYL 5/16"- 18 ZINC	1
9	300-4030	LEVEL	1	35	H-37176	JNYL #10-32 ZINC	2
10	33214	FW .375 ID X 1.25 OD ZINC	1	36	H-70834	HX JAM .50-20 SS	2
11	370-1247	BUSHING 5/16 X 1/2 X 3/16	2	37	H-70889	HOLE PLUG 7/8"	1
12	4-25-01	6.25" ADJUSTABLE LATERAL ARM BODY	2	38	H-71059	LW #10, SS	1
13	600-9585	CYL LATERAL ARM	1	39	H-71071	LW 1/2" SS	4
14	600-9687	LIFT ARM CROSS BAR (CYL)	1	40	H-93201	SHCS 1/4"-20 X 1/2 ZINC	2
15	650-1265	SCRUB ARM BRACKET	2	41	H-94223	FHP 1/4"- 20 X 5/8" ZINC	1
16	75-246	24" CYLINDRICAL BRUSH	1	42	H-RUE14	3/8" RUE RING COTTER	2
17	H-0156756	CLEVIS PIN 3/8" x 3.00"	2	43	M-9432K75	Spring 1.375 LG X .5 OD X .063 Wire	1
18	H-13055	HCS 5/16"- 18 X 1" ZINC	2	44	M-9434T27	.75 DIA One Hole Tube Clamp	1
19	H-21795	CB 1/4"- 20 X 5" ZINC	1	45	M-9565K5	3/4 X 3/4 SQ TUBE PLUG	2
20	H-21800	CB 1/4"- 20 X 5/8" ZINC	4				
21	H-21810	CB 5/16"- 18 X 3/4" ZINC	11				
22	H-21811	CB 5/16"- 18 X 1" ZINC	4				
23	H-21813	CB 5/16"- 18 X 1-1/2" ZINC	4				
24	H-29055	PPH #10-32 X 5/8" ZINC	3				
25	H-29073	PPH #10-32 X 1" ZINC	2				
26	H-33004	FW 5/16 ID X 7/8 OD ZINC	4				

26" & 30" CYLINDRICAL DECK

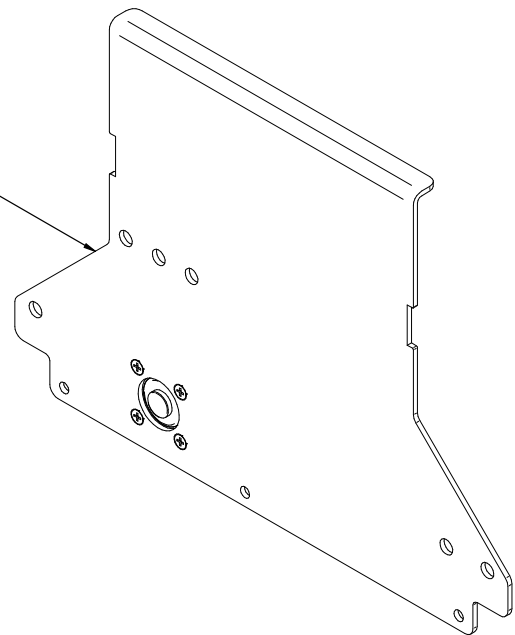


Item	Part No.	Part Description	Qty.
1	253-8215	TIMING SPROCKET 32 TOOTH	1
2	260-2111	MOTOR, 24V, 3/4 HP, 270 RPM	1
3	260-8371	7-SPLINE CYL DRIVER (RED HARD COAT)	1
4	264-8225-01	TIMING SPROCKET 56 TOOTH	1
5	264-8230	HI-PERFORMANCE PD PLUS BELT HTD 555-5M	1
6	370-8240A	BEARING HOUSING/BEARING	1
7	370-8373	CYLINDRICAL DRIVER SEAL	1
8	650-9002	MOTOR ADJ BRACKET	1
9	650-9004	MOTOR SPACER	1
10	H-01125	3/16" X 1" KEY	1
11	H-0135119	SS .25-20 x .25 ZINK	1
12	H-0953152	3/16" X 3/4" KEY	1
13	H-13055	HCS 5/16"- 18 X 1" ZINK	1
14	H-13105	HCS 3/8"- 16 X 1" ZINK	4
15	H-29506	FHP #10-32 X 1/2" ZINK	4
16	H-33008	FW 3/8 ID X 7/8 OD ZINK	5
17	H-36104	HN 5/16"- 18 ZINK	1
18	H-37126	JNYL 3/8- 24 ZINK	1
19	H-70889	HOLE PLUG 7/8"	1
20	H-73811	BHSCS 3/8"- 16 X 1/2" SS	1
21	H-90895	WASHER, SERRATED BELLEVILLE, 3/8", ZINK	4
22	H-98025	FW 3/8" GRADE 8	4
23	H-K14320	3/16" X 1 1/4" KEY	1
24	M-9688K123	Plug Hole 5/16"	2

26" & 30" CYLINDRICAL DECK DOOR



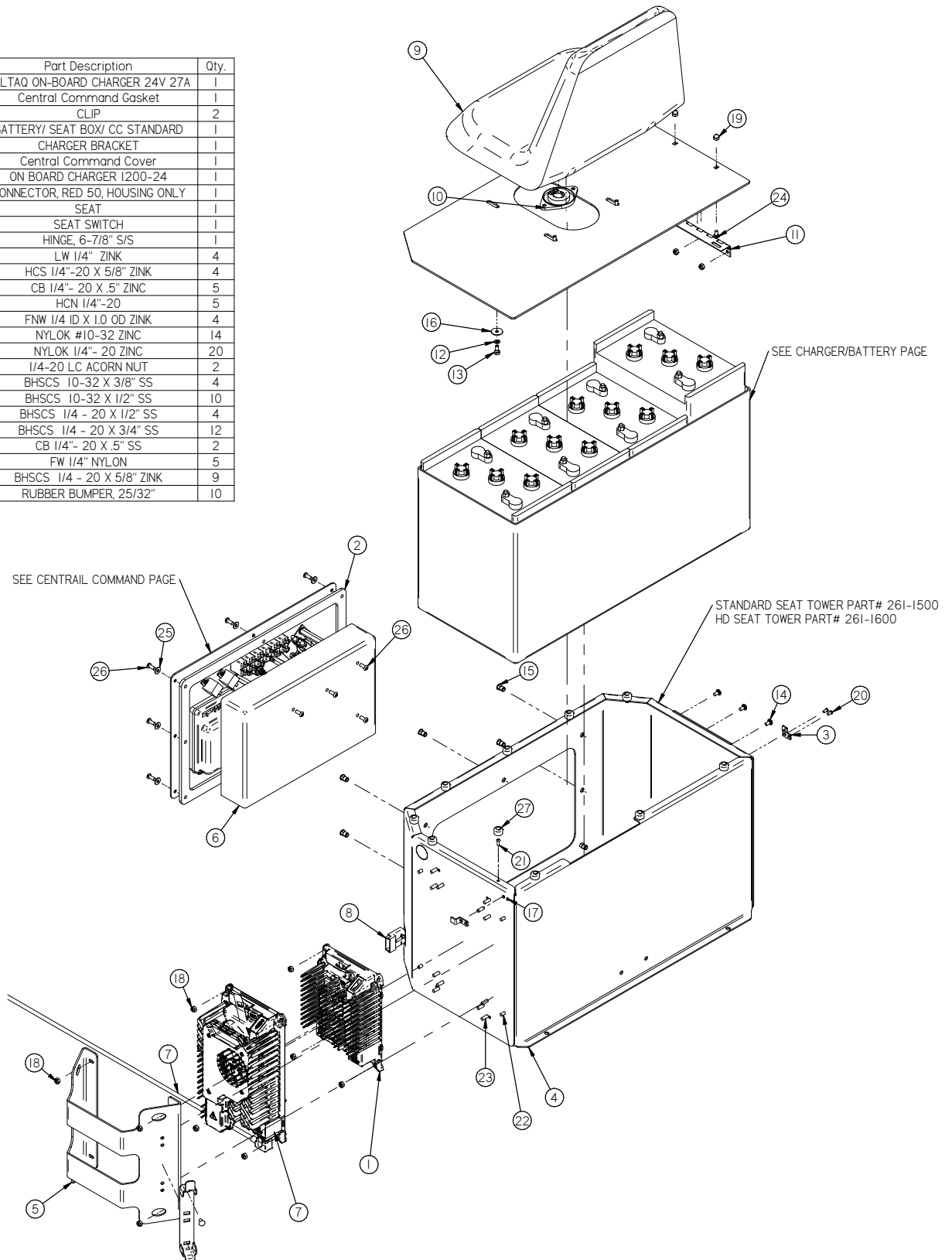
TO ORDER WHOLE DOOR ASSEMBLY USE PART #260-9022



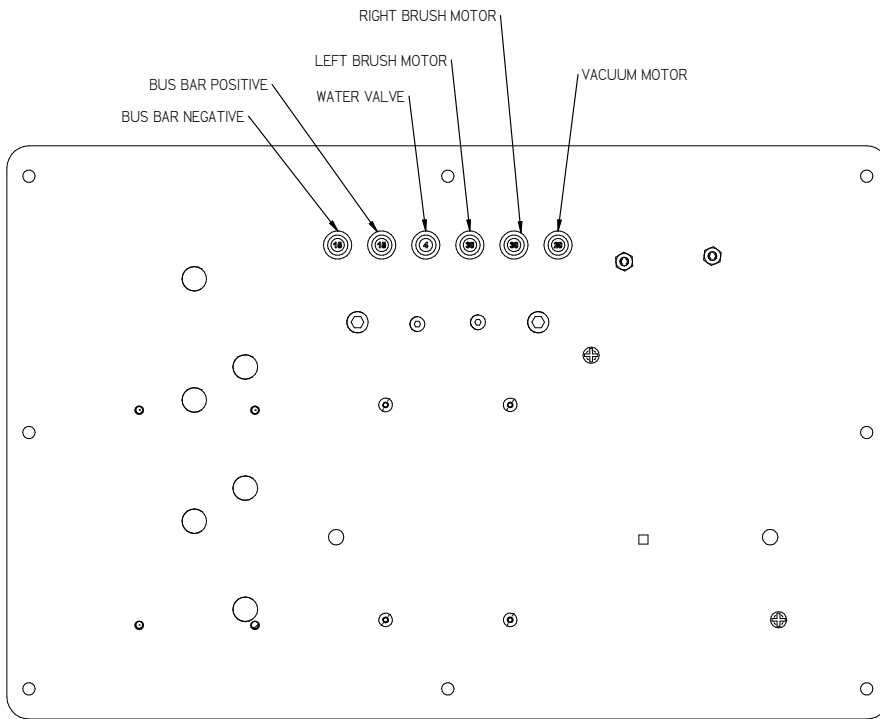
Item	Part No.	Part Description	Qty.
1	260-8373	7-SPLINE CYL IDLER LPVC.)	1
2	260-9022	DRIVE COVER	1
3	370-8241A	IDLER DRIVE BEARING	1
4	370-8373	CYLINDRICAL DRIVER SEAL	1
5	H-0953152	3/16" X 3/4" KEY	1
6	H-29506	FHP #10-32 X 1/2" ZINC	4
7	H-33008	FW 3/8 ID X 7/8 OD ZINC	1
8	H-37126	JNYL 3/8- 24 ZINC	1

SEATBOX & CENTRAL COMMAND

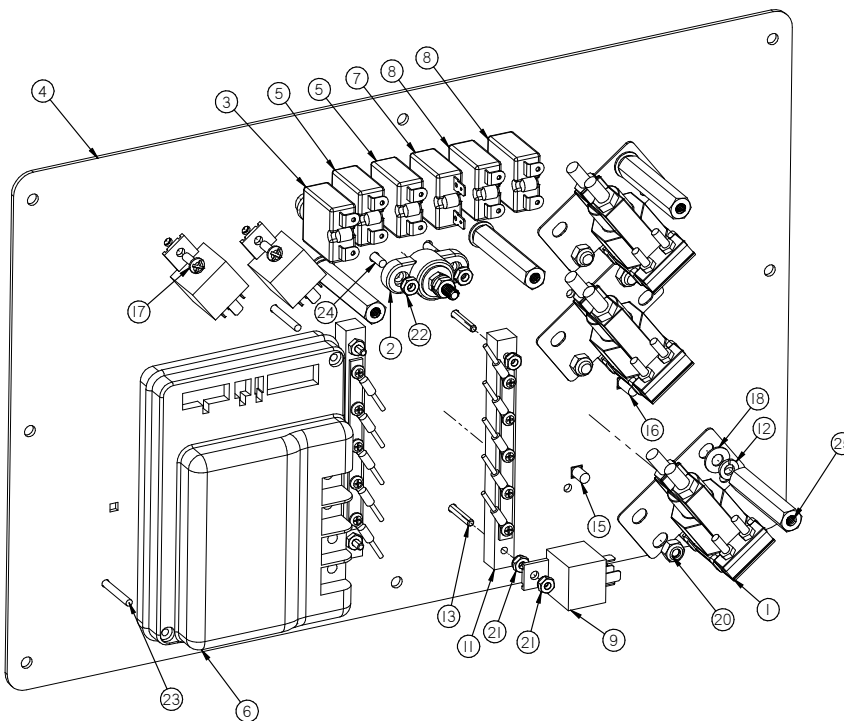
Item	Part No.	Part Description	Qty.
1	175-2460	DELTA ON-BOARD CHARGER 24V 27A	1
2	211-7419	Central Command Gasket	1
3	250-1240	CLIP	2
4	261-1500	BATTERY/ SEAT BOX/ CC STANDARD	1
5	261-7180	CHARGER BRACKET	1
6	261-7313	Central Command Cover	1
7	264-2460	ON BOARD CHARGER I200-24	1
8	4-259	CONNECTOR, RED 50, HOUSING ONLY	1
9	500-1390	SEAT	1
10	500-1431	SEAT SWITCH	1
11	8-180	HINGE, 6-7/8" S/S	1
12	H-0157797	LW 1/4" ZINK	4
13	H-13002	HCS 1/4"-20 X 5/8" ZINK	4
14	H-21795	CB 1/4"- 20 X .5" ZINC	5
15	H-250HCN	HCN 1/4"-20	5
16	H-33207	FNW 1/4" ID X 1.0 OD ZINK	4
17	H-37015	NYLOK #10-32 ZINC	14
18	H-37019	NYLOK 1/4"- 20 ZINC	20
19	H-37708	1/4-20 LC ACORN NUT	2
20	H-73742	BHSCS 10-32 X 3/8" SS	4
21	H-73743	BHSCS 10-32 X 1/2" SS	10
22	H-73752	BHSCS 1/4 - 20 X 1/2" SS	4
23	H-73754	BHSCS 1/4 - 20 X 3/4" SS	12
24	H-74417	CB 1/4"- 20 X .5" SS	2
25	H-76061	FW 1/4" NYLON	5
26	H-94050	BHSCS 1/4 - 20 X 5/8" ZINK	9
27	H-9540	RUBBER BUMPER, 25/32"	10



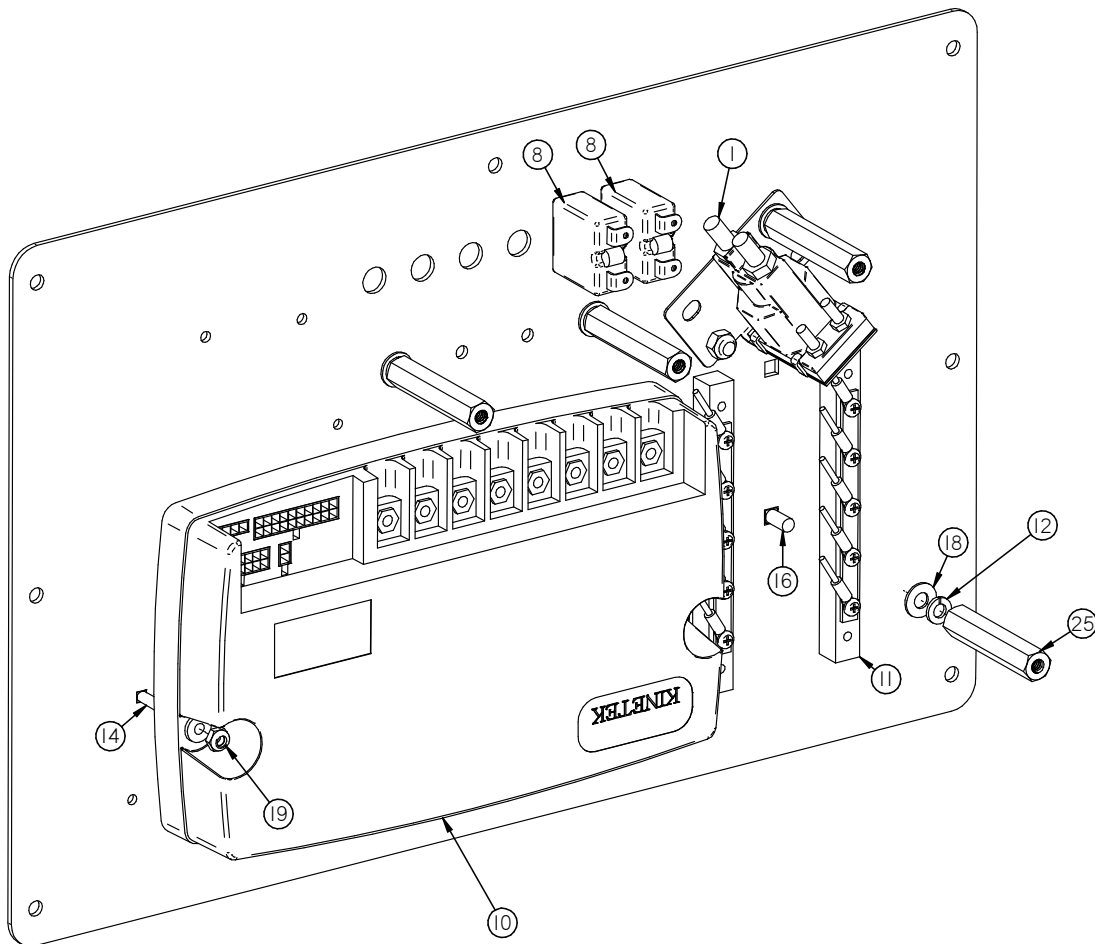
CENTRAL COMMAND PANNEL



Item	Part No.	Part Description	Qty.
1	150-2331	RELAY, 24V, SMALL, W/FLAT MTG PLATE	2
2	175-2700	NEG INSULATOR POST (BLACK)	1
3	260-8270	FUSE, RESETTABLE, 20 AMP	1
4	261-1410	CENTRAL COMMAND PANNEL	1
5	290-9609	FUSE, RESETTABLE, 30 AMP	2
6	349-2900	IDRIVE 24V 180 AMP CONTROLLER	1
7	349-9604	FUSE, RESETTABLE, 4 AMP, 50V DC MAX	1
8	390-9615	FUSE, RESETTABLE, 15 AMP, 50V DC MAX	2
9	5-293	24V 15 AMP RELAY	1
10	650-2890	KINETECK TOUCH SCREEN CONTROLLER	1
11	7-287	BUSS BAR UHMW	3
12	H-0157797	LW 1/4" ZINK	4
13	H-0171277	BHSCS 8-32 X 1.5 SS	1
14	H-0172522	CB #10-32 X 1-1/4" ZINK	2
15	H-21795	CB 1/4"- 20 X .5" ZINC	1
16	H-21800	CB 1/4"- 20 X 5/8" ZINC	2
17	H-29049	PPH #10-32 X 1/2" ZINK	1
18	H-33078	FW 1/4 ID X 5/8 OD ZINK	4
19	H-37015	NYLOK #10-32 ZINC	2
20	H-37019	NYLOK 1/4"- 20 ZINC	1
21	H-37406	KN #8-32	2
22	H-37408	KN #10-32 ZINK	1
23	H-72419	PPH #8-32 X 1-1/4" S/S	1
24	H-73743	BHSCS 10-32 X 1/2" SS	1
25	M-92230A340	1/4-20 x 2.5in - Female Standoff ZINK	4

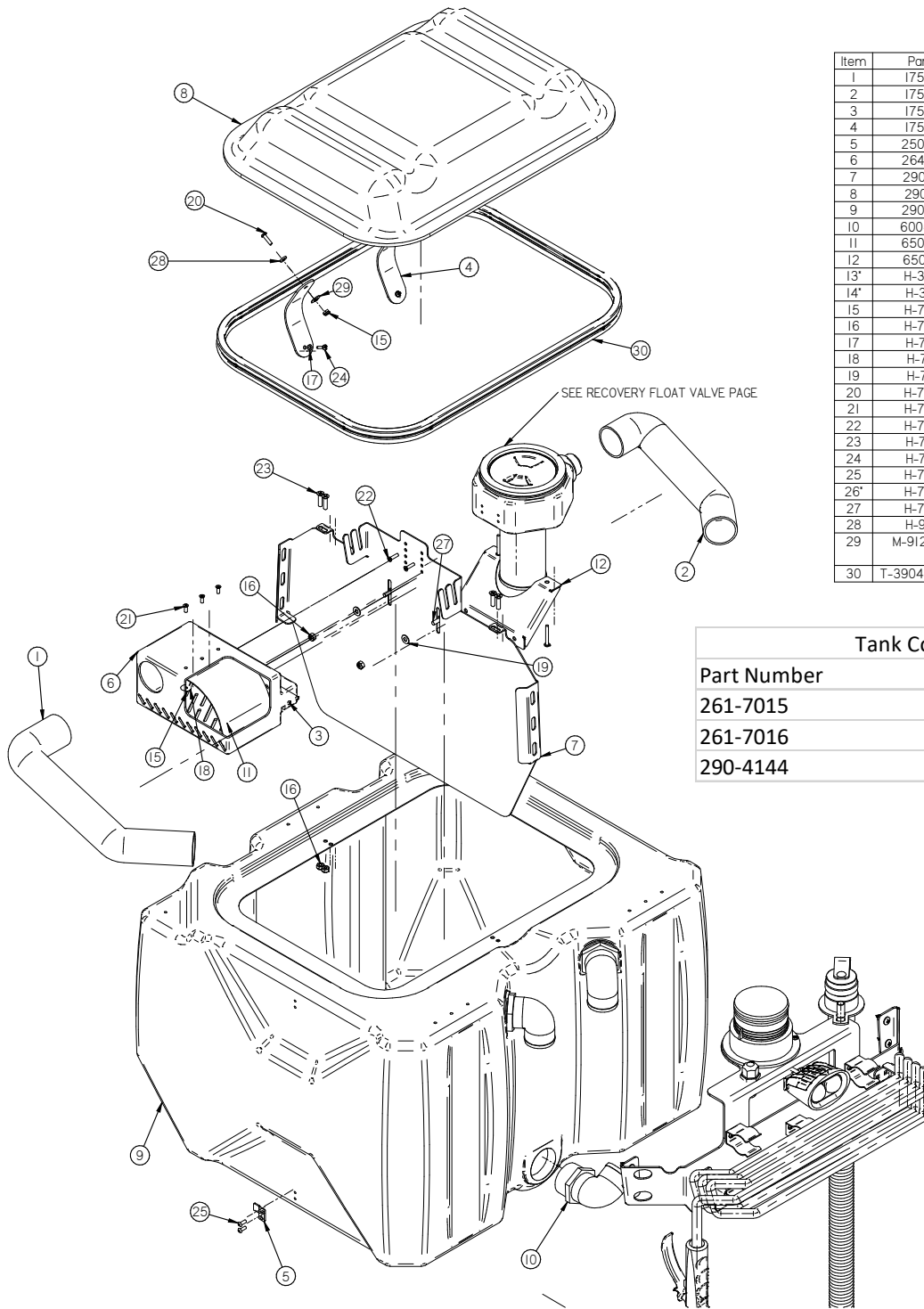


TOUCH SCREEN CENTRAL COMMAND



Item	Part No.	Part Description	Qty.
1	150-2331	RELAY, 24V, SMALL W/FLAT MTG PLATE	2
2	175-2700	NEG INSULATOR POST (BLACK)	1
3	260-8270	FUSE RESETTABLE 20 AMP	1
4	261-1410	CENTRAL COMMAND PANNEL	1
5	290-9609	FUSE, RESETTABLE, 30 AMP	2
6	349-2900	IDRIVE 24V 180 AMP CONTROLLER	1
7	349-9604	FUSE, RESETTABLE, 4 AMP, 50V DC MAX	1
8	390-9615	FUSE, RESETTABLE, 15 AMP, 50V DC MAX	2
9	5-293	24V 15 AMP RELAY	1
10	650-2890	KINETEK TOUCH SCREEN CONTROLER	1
11	7-287	BUSS BAR UHMW	3
12	H-0157797	LW 1/4" ZINK	4
13	H-0171277	BHSCS 8-32 X 1.5 SS	1
14	H-0172522	CB #10-32 X 1-1/4" ZINK	2
15	H-21795	CB 1/4"- 20 X .5" ZINC	1
16	H-21800	CB 1/4"- 20 X 5/8" ZINC	2
17	H-29049	PPH #10-32 X 1/2" ZINK	1
18	H-33078	FW 1/4 ID X 5/8 OD ZINK	4
19	H-37015	NYLOK #10-32 ZINC	2
20	H-37019	NYLOK 1/4"- 20 ZINC	1
21	H-37406	KN #8-32	2
22	H-37408	KN #10-32 ZINK	1
23	H-72419	PPH #8-32 X 1-1/4" S/S	1
24	H-73743	BHSCS 10-32 X 1/2" SS	1
25	M-92230A340	1/4-20 x 2.5in - Female Standoff ZINK	4

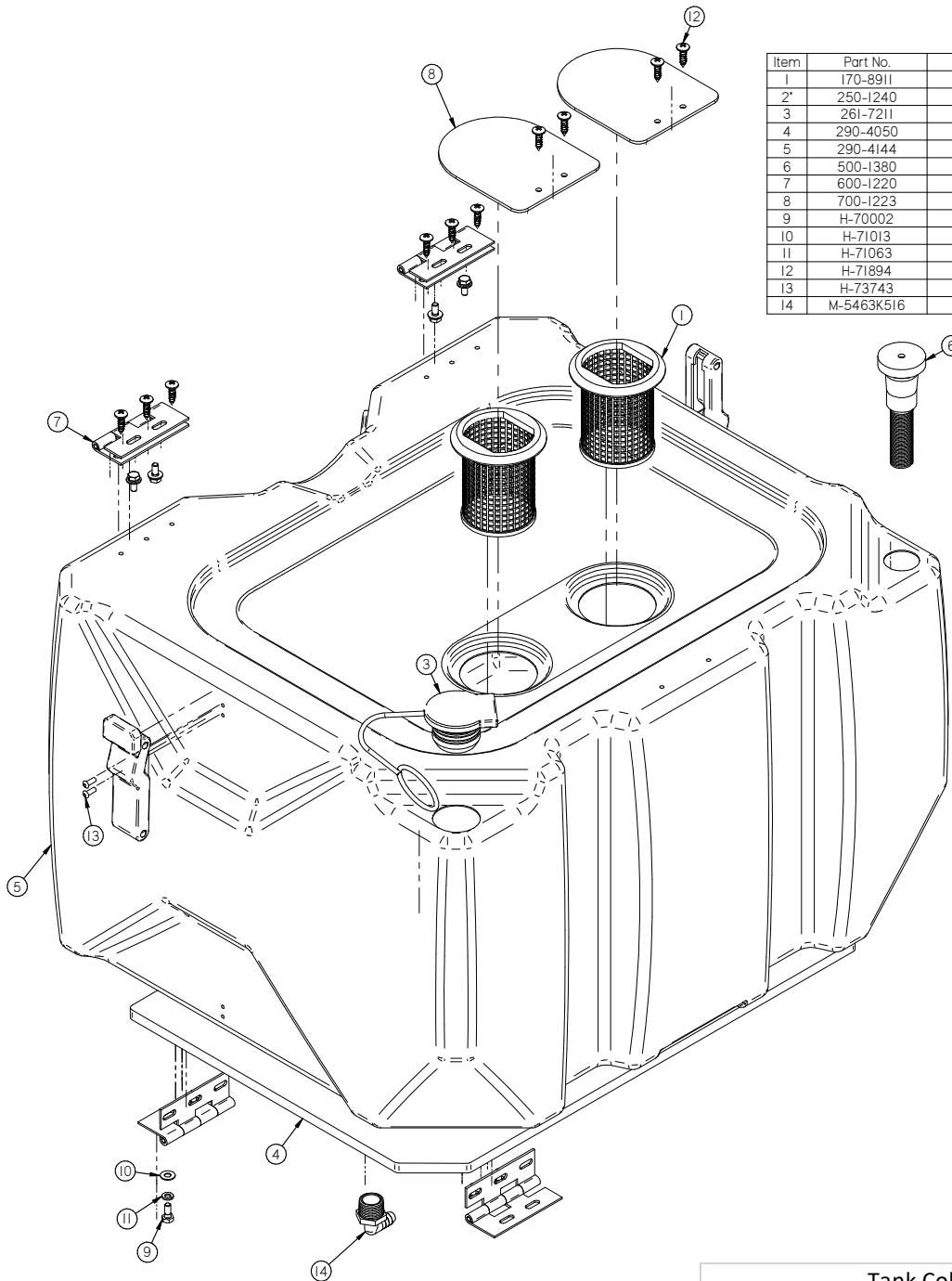
RECOVERY TANK ASSEMBLY



Item	Part No.	Part Description	Qty.
1	175-0121	HOSE, INNER TANK	1
2	175-0121	HOSE, INNER TANK	1
3	175-1135	DRAIN SAVER BASKET ROD	2
4	175-1412	TANK LID STRAP	2
5	250-1240	CLIP	2
6	264-8912	DRAIN SAVER BASKET	1
7	290-1136	290 BAFFLE	1
8	290-1411	TINTED RECOVERY LID	1
9	290-7014	RECOVERY TANK	1
10	600-7040	2" NPT X 2" BARB STREET ELBOW, BLACK	3
11	650-1030	TANK BACK SPLASH	1
12	650-1136	BAFFLE BALL FLOAT BRACE	1
13	H-33207	FNW 1/4 ID X 1.0 OD ZINK	2
14	H-37019	NYLOK 1/4" - 20 ZINC	2
15	H-70858	NYLOK #10-32 SS	7
16	H-70860	NYLOK 1/4" - 20 SS	6
17	H-71007	FW #8 SS	2
18	H-71010	FW #10 ID X 11/16 OD SS	3
19	H-71013	FW 1/4 ID X 5/8 OD SS	2
20	H-72534	PPH #10-32 X 3/4" S/S	2
21	H-72682	FHP #10-32 X 1/2" SS	3
22	H-72684	FHP 10-32 X 3/4" SS	2
23	H-72710	FHP 1/4" - 20 X 1" SS	4
24	H-72916	PPH SMS #8 X 3/4" SS	2
25	H-73743	BHSCS 10-32 X 1/2" SS	4
26	H-73752	BHSCS 1/4 - 20 X 1/2" SS	2
27	H-73753	BHSCS 1/4 - 20 X 5/8" SS	2
28	H-90133	.17 ID X .5 OD X .093 NEOPRENE WASHER	2
29	M-91235A112	Belleville Spring Lock Washer, 1/4 stainless	2
30	T-390410157700	BULK PUSH-ON RUBBER GASKET	1

Tank Color Part numbers	
Part Number	Tank
261-7015	Recovery, Kodiak Green
261-7016	Recovery, Timberline Blue
290-4144	Solution, Black

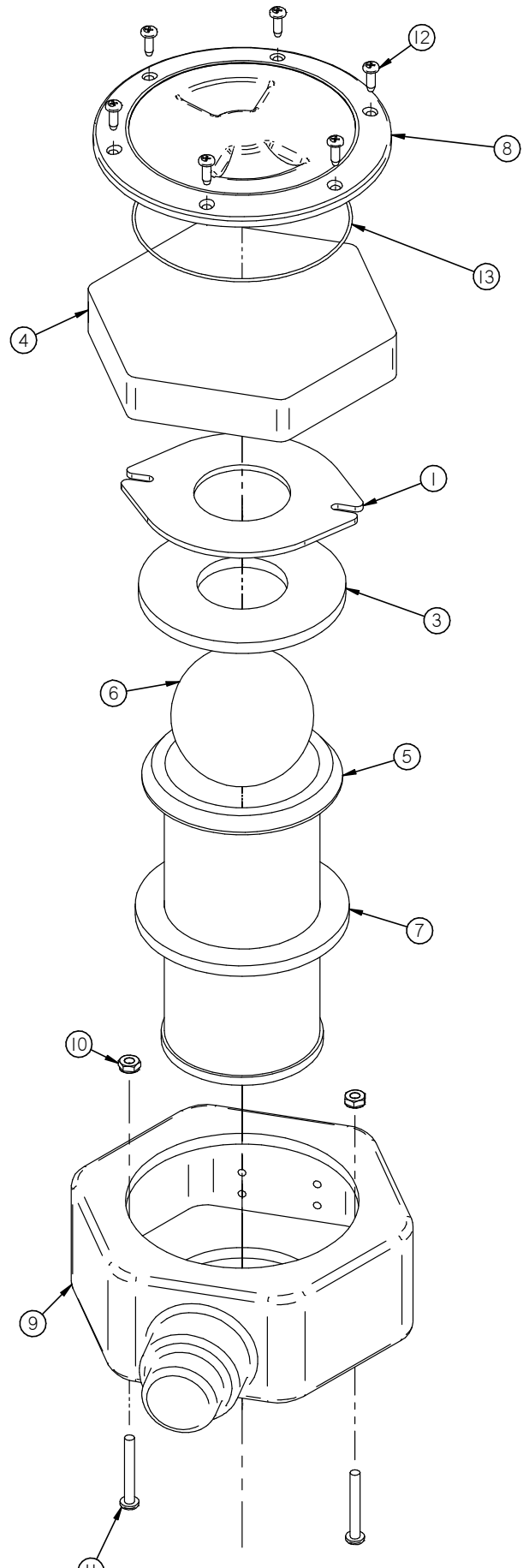
SOLUTION TANK ASSEMBLY



Item	Part No.	Part Description	Qty.
1	170-8911	SCREEN STRAINER, 4-1/4" LG	2
2	250-1240	LATCH	2
3	261-7211	2 INCH HOSE CAP	1
4	290-4050	RECOVERY TANK GASKET	1
5	290-4144	SOLUTION TANK	1
6	500-1380	FILL HOSE	1
7	600-1220	4" SS HINGE	4
8	700-1223	SOLUTION FILL CURTAIN	2
9	H-70002	HCS 1/4"-20 X 5/8" SS	8
10	H-71013	FW 1/4 ID X 5/8 OD SS	8
11	H-71063	LW 1/4" SS	8
12	H-71894	#14 X 1" SELF TAPPING SCREW SS	10
13	H-73743	BHSCS 10-32 X 1/2" SS	4
14	M-5463K516	ELBOW, NYLON, 3/4" MALE NPT X 1/2" BARB	1

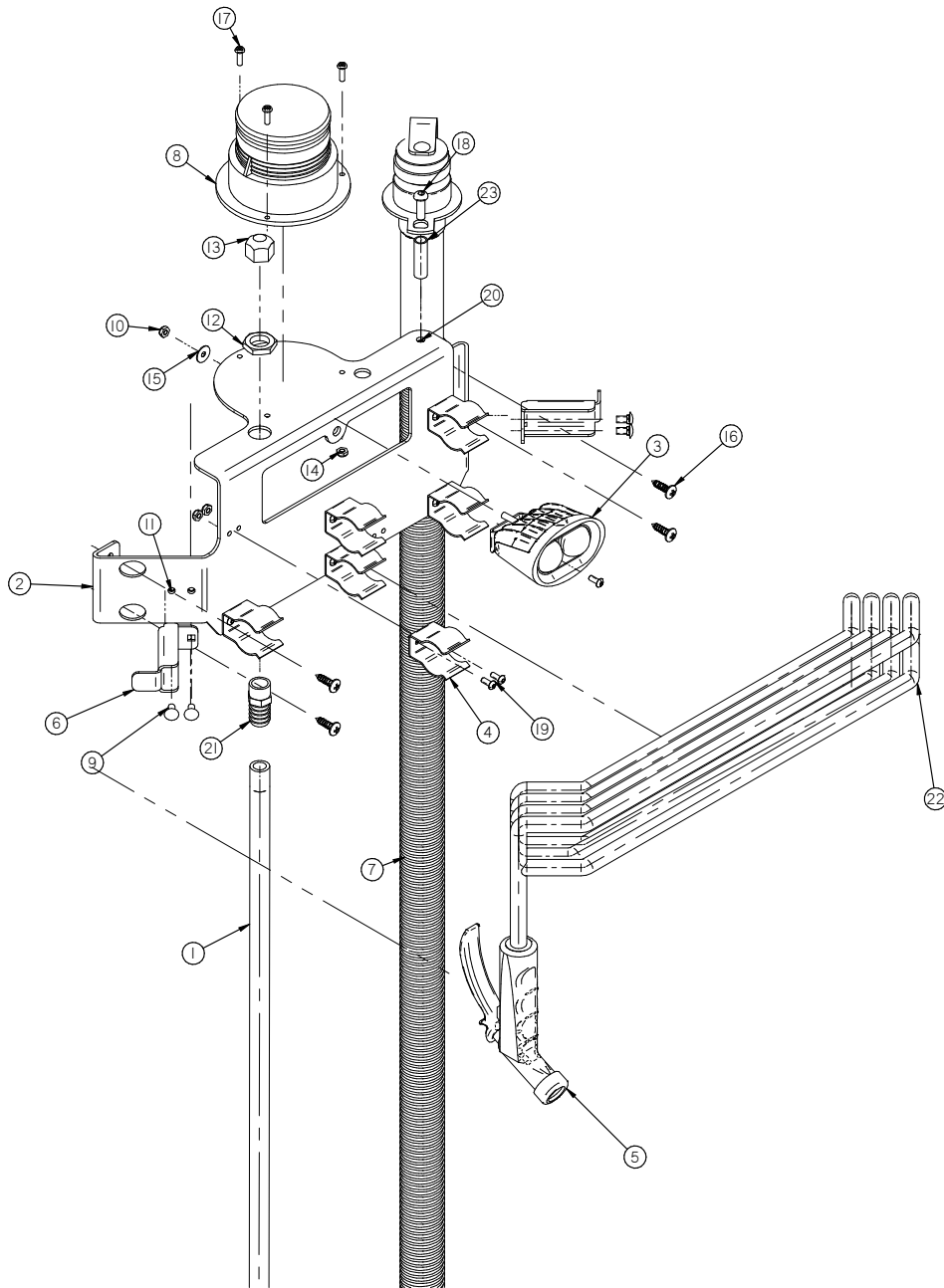
Tank Color Part numbers	
Part Number	Tank
261-7015	Recovery, Kodiak Green
261-7016	Recovery, Timberline Blue
290-4144	Solution, Black

BALL FLOAT



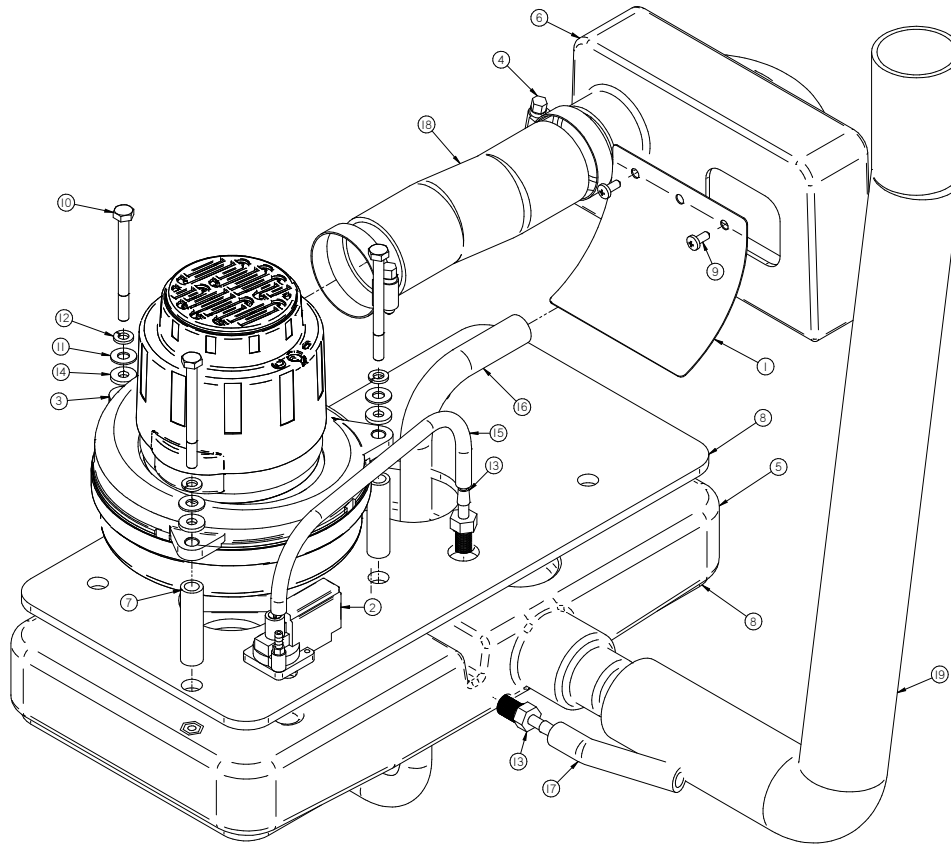
Item	Part No.	Part Description	Qty.
1	175-4080	STRAINER TOP	1
2	175-4102	GASKET, BAFFLE TOP	1
3	175-4103	BALL FLOAT GASKET	1
4	264-4086	VAC BOX FILTER	1
5	264-9111	SCREEN STRAINER	1
6	38-712	OVERFILL SHUTOFF BALL	1
7	38-738	STRAINER GASKET	1
8	400-4250	4" Clear Access Port	1
9	650-0033	INNER VAC BOX	1
10	H-70923	KN #10-32 SS	2
11	H-72554	PPH #10-32 X 1-1/2"	2
12	H-72914	PPH SMS #8 X 1/2"	6
13	M-9452K132	.0625 X 3.50 043 O-RING	1

TANK UTILITY HANDLE



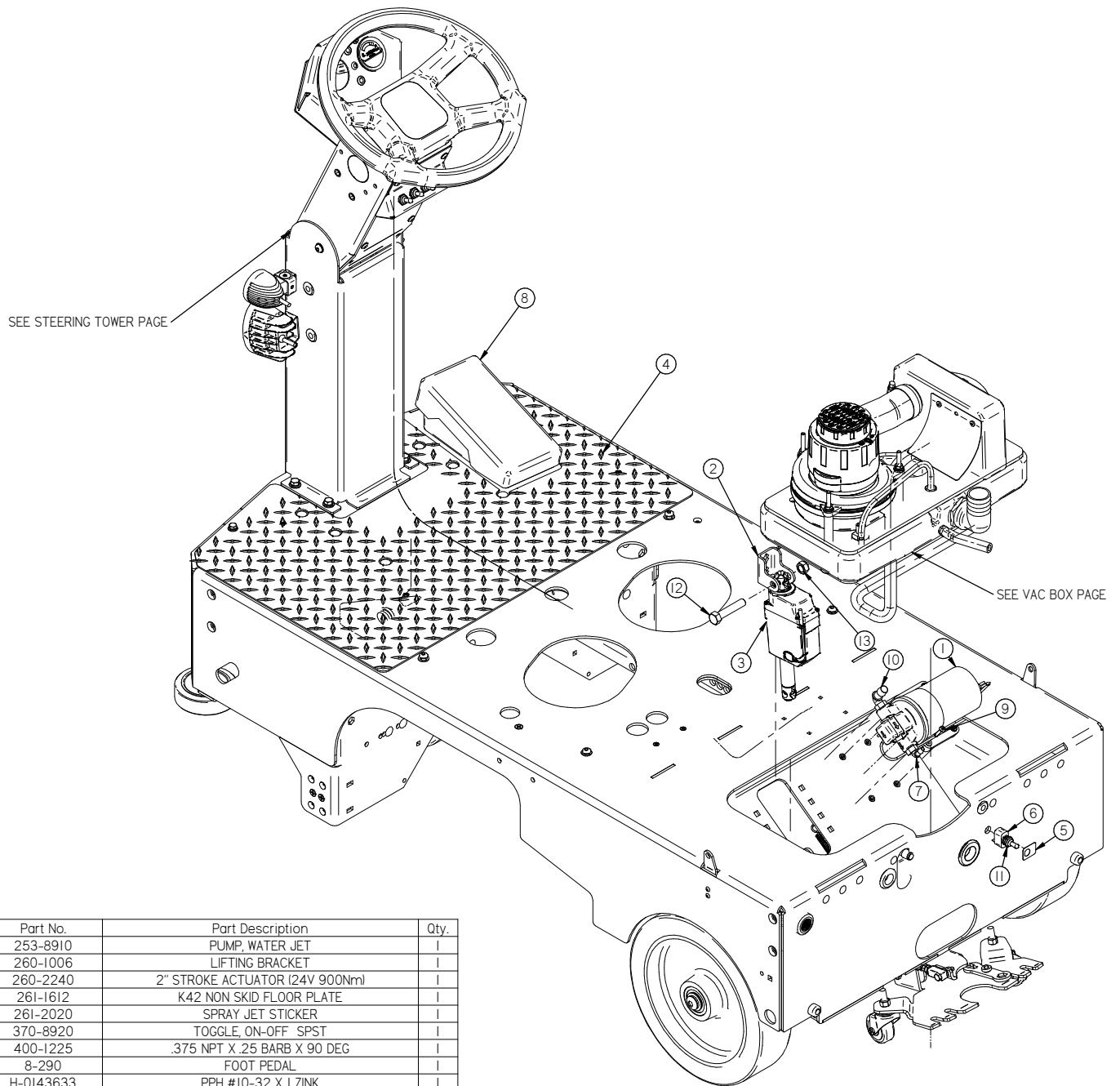
Item	Part No.	Part Description	Qty.
1	261-1370	SIGHT TUBE	1
2	261-7181	TANK UTILITY HANDLE	1
3	349-2910	BLUE WARNING LIGHT	1
4	5-886	WAND CLIP	6
5	5-895	SPRAY NOZZLE	1
6	650-4043	HOSE WRAP	2
7	650-7210	RECOVERY DRAIN HOSE	1
8	8-293	STROBE LIGHT	1
9	H-21795	CB 1/4"- 20 X .5" ZINC	4
10	H-37015	NYLOK #10-32 ZINC	13
11	H-37019	NYLOK 1/4"- 20 ZINC	4
12	H-68600	1/2" NPT BRASS NUT	1
13	H-69843	.50 NPT CAP	1
14	H-70858	NYLOK #10-32 SS	3
15	H-71010	FW #10 ID X 1 1/16 OD SS	1
16	H-71894	#14 X 1" SELF TAPPING SCREW SS	4
17	H-72517	PPH #10-32 X 5/8" SS	3
18	H-73780	BHSCS 5/16-18 X 1	1
19	H-94040	BHSCS 10-32 X .50 ZINC	13
20	H-NJ05C	JNYL 5/16"- 18 SS	1
21	M-5346K68	.50 NPT X .75 BARB	1
22	Spray Hose	Spray Hose	1
23	T-0375B6000	THREAD COVER BLACK TUBING	1

VAC BOX



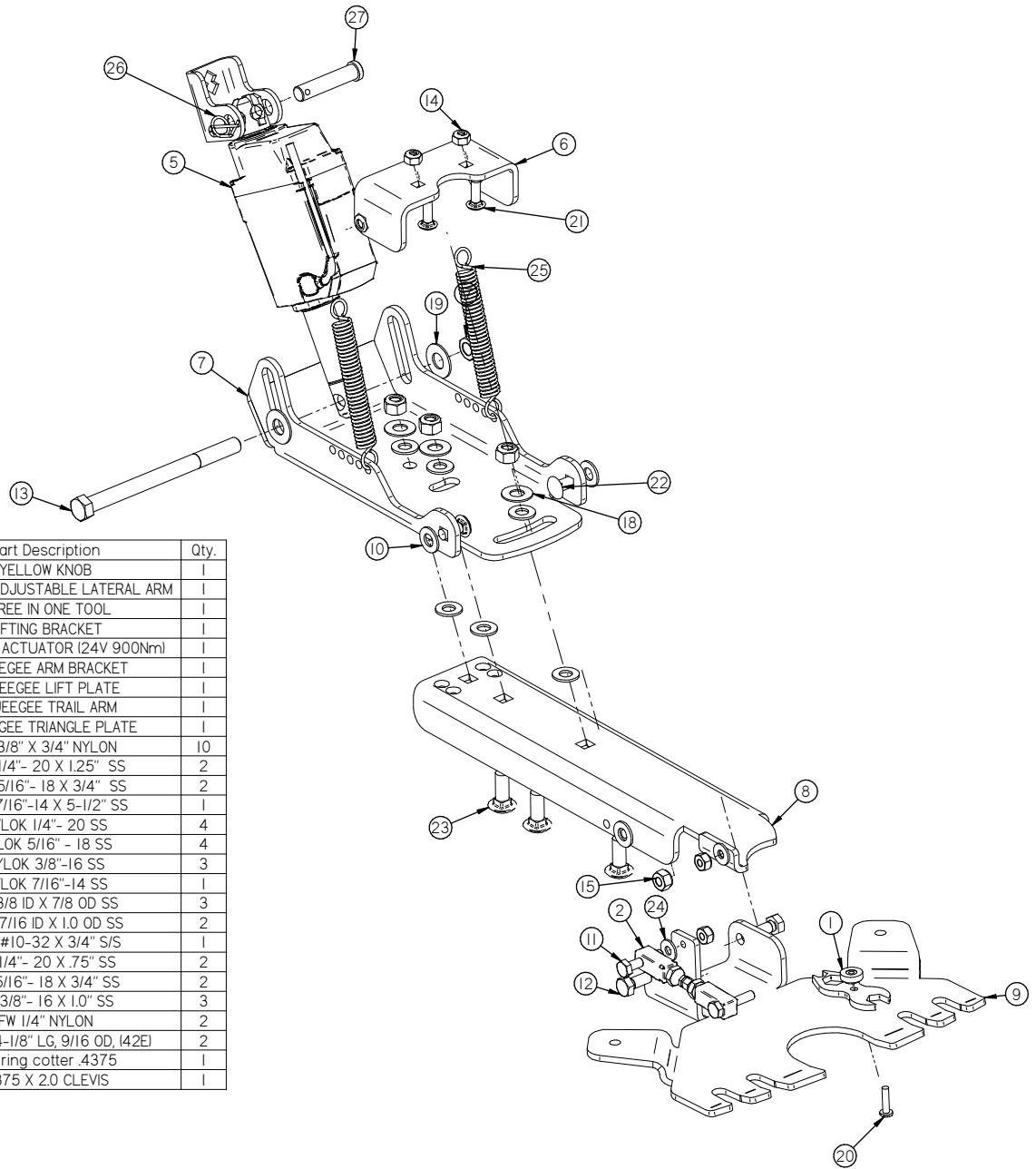
Item	Part No.	Part Description	Qty.
1	175-1029	TANK BACK SPLASH	1
2	175-2328	SWITCH VACUUM SHUTOFF	1
3	261-5250	24V VAC MOTOR	1
4	5-719	CLAMP 1 9/16 - 2 1/2" SS	2
5	500-1146	PILOT VAC BOX	1
6	650-1148	GTR VAC MUFFLER WALL	1
7	650-2600	SPACER, 2-1/8" LG	3
8	650-3001	VAC MOTOR GASKET	2
9	H-175216	PPH SMS #10 X 1/2" SBO	2
10	H-70015	HCS 1/4" - 20 X 3.0" SS	3
11	H-71013	FW 1/4 ID X 5/8 OD SS	3
12	H-71063	LW 1/4" SS	3
13	M-5463K439	.25 NPT X 1.25 BARB	2
14	M-90130A029	.26" NEOPRENE WASHER	3
15	T-025R6000	VAC SWITCH HOSE	1
16	T-050R6000	VAC BOX DRAIN	1
17	T-050R6000	DUCK BILL VALVE HOSE	1
18	T-200R6000	2" HOSE	1
19	T-200R6000	CLEANAIR INTAKE	1

VAC BOX ASSEMBLY



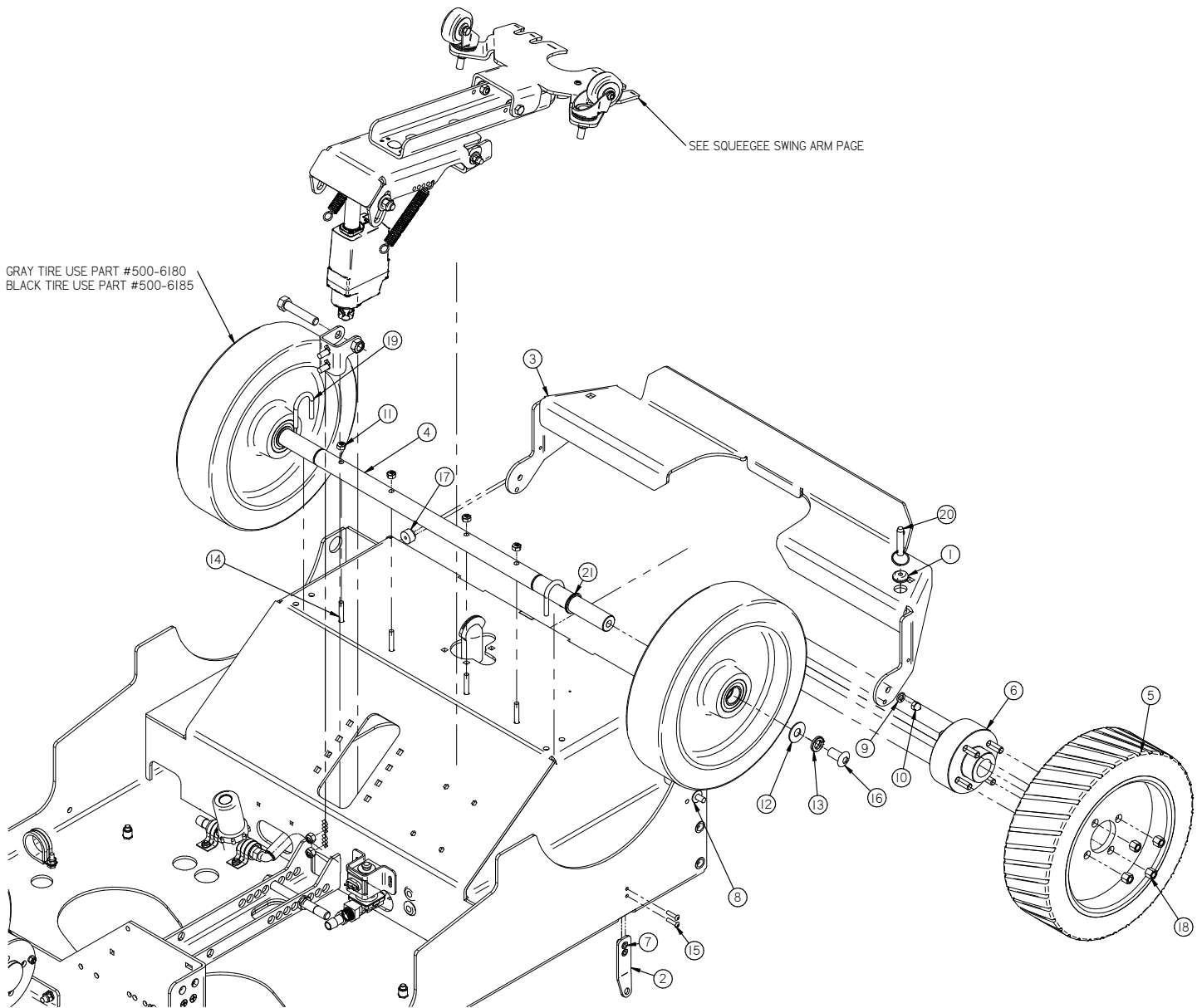
Item	Part No.	Part Description	Qty.
1	253-8910	PUMP, WATER JET	1
2	260-1006	LIFTING BRACKET	1
3	260-2240	2" STROKE ACTUATOR (24V 900Nm)	1
4	261-1612	K42 NON SKID FLOOR PLATE	1
5	261-2020	SPRAY JET STICKER	1
6	370-8920	TOGGLE, ON-OFF SPST	1
7	400-1225	.375 NPT X .25 BARB X 90 DEG	1
8	8-290	FOOT PEDAL	1
9	H-0143633	PPH #10-32 X 1 ZINK	1
10	H-04763	ELBOW, 90 DEG X 3/8" MNPT X 1/2" BARB, NYLON	1
11	H-11199	PROTECTIVE BOOT, TOGGLE SWITCH, (BLUE)	1
12	H-38712	HCS M12-1.75 X 60MM ZINK	1
13	H-40171	NYLOK M12-1.75 ZINK	1

SQUEEGEE LINKAGE



Item	Part No.	Part Description	Qty.
1	175-4180	YELLOW KNOB	1
2	175-8441	SQUEEGEE ADJUSTABLE LATERAL ARM	1
3*	260-0001	THREE IN ONE TOOL	1
4*	260-1006	LIFTING BRACKET	1
5	260-2240	2" STROKE ACTUATOR (24V 900Nm)	1
6	500-1264	SQUEEGEE ARM BRACKET	1
7	500-7145	SQUEEGEE LIFT PLATE	1
8	500-7151	SQUEEGEE TRAIL ARM	1
9	650-7611	SQUEEGEE TRIANGLE PLATE	1
10	H-4440024	FW 3/8" X 3/4" NYLON	10
11	H-70007	HCS 1/4"- 20 X 1.25" SS	2
12	H-70053	HCS 5/16"- 18 X 3/4" SS	2
13	H-70174	HCS 7/16"-14 X 5-1/2" SS	1
14	H-70860	NYLOK 1/4"- 20 SS	4
15	H-70861	NYLOK 5/16" - 18 SS	4
16*	H-70862	NYLOK 3/8"-16 SS	3
17	H-70863	NYLOK 7/16"-14 SS	1
18	H-71017	FW 3/8 ID X 7/8 OD SS	3
19	H-71219	FNW 7/16 ID X 1.0 OD SS	2
20	H-72534	PPH #10-32 X 3/4" S/S	1
21	H-74419	CB 1/4"- 20 X .75" SS	2
22	H-74429	CB 5/16"- 18 X 3/4" SS	2
23	H-74436	CB 3/8"- 16 X 1.0" SS	3
24	H-76061	FW 1/4" NYLON	2
25	H-96544	SPRING, 4-1/8" LG, 9/16 OD, (42E)	2
26	H-RUE706	rue ring cotter .4375	1
27	M-92390A320	.4375 X 2.0 CLEVIS	1

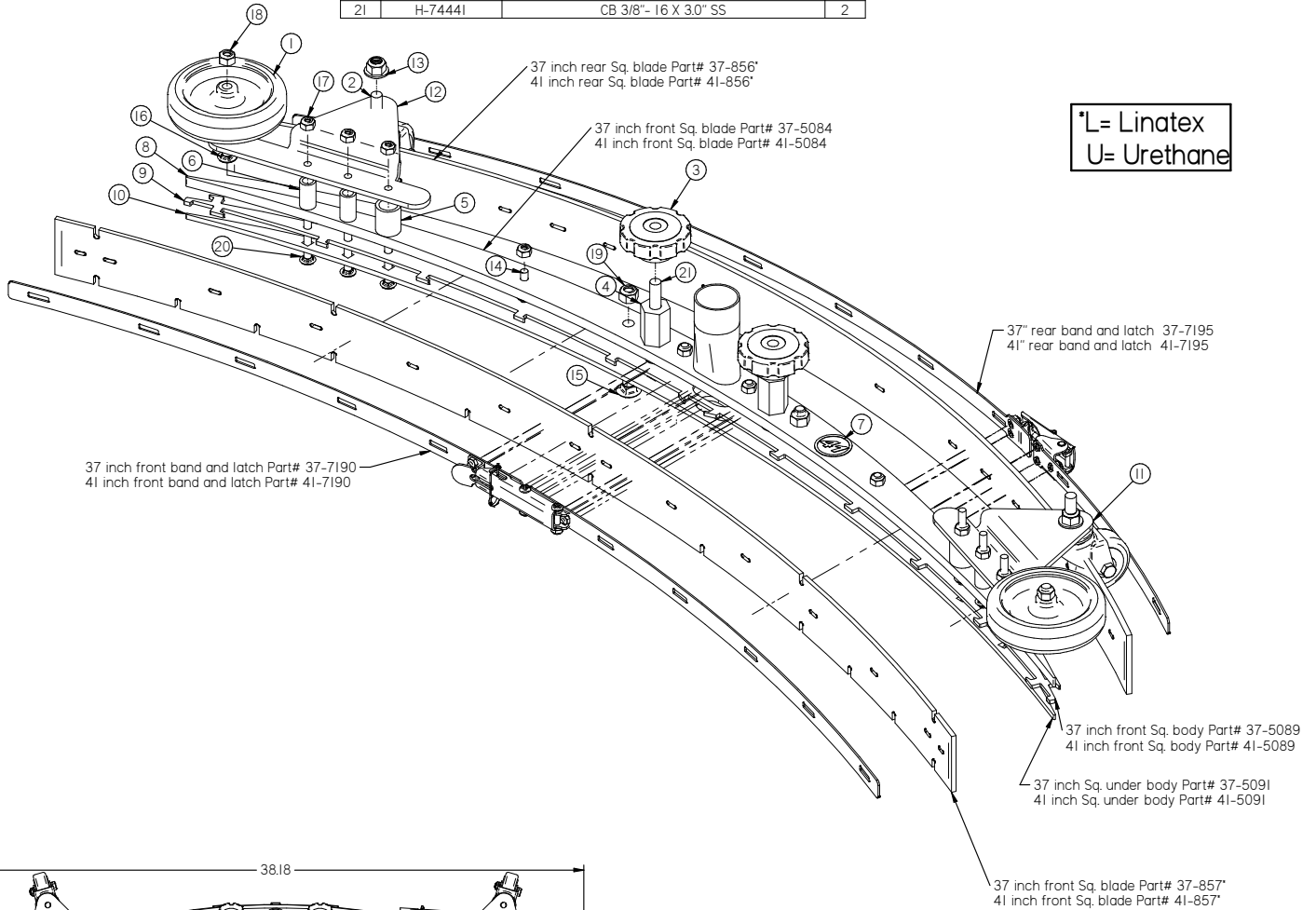
REAR AXLE & LINKAGE ASSEMBLY



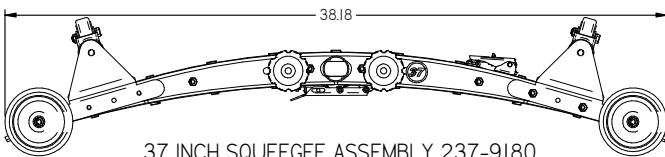
Item	Part No.	Part Description	Qty.
1	0709110	GROMMET .25 ID .625 OD	1
2	261-1241	Solid Tank Straps	1
3	290-1107	BUMPER	1
4	290-1279	AXLE	1
5	290-6180	REAR WHEEL (BLACK) TREADED	1
6	650-6173	WHEEL HUB	1
7	H-1032HCN	HCN #10-32	1
8	H-33006	FW 5/16 ID X 3/4 OD ZINC	1
9	H-33620	LW 5/16" ZINK	2
10	H-37709	5/16-18 ACORN NUT	1
11	H-70860	NYLOK 1/4" - 20 SS	9
12	H-71021	FW 1/2 ID X 1-1/4 OD SS	1
13	H-71071	LW 1/2" SS	1
14	H-72712	FHP 1/4" - 20 X 1-1/4" SS	4
15	H-73745	BHSCS 10-32 X 3/4" SS	1
16	H-73834	BHSCS 1/2- 13 X 1" SS	1
17	H-9540	RUBBER BUMPER, 25/32"	1
18	H-FAN6	LUG NUT 3/8"-16 SS	4
19	M-3043T13	1/4-20 X 1.0" U-BOLT	2
20	M-98404A368	DETENT RING PIN, 3/8" X .8"	1
21	M-98585A121	1 INCH EXTERNAL RETAINING RING	1

SQUEEGEES

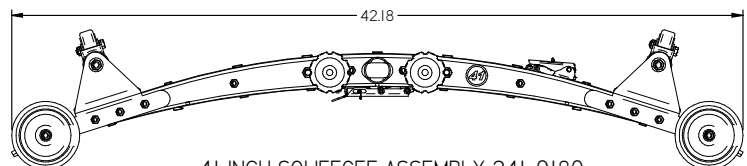
Item	Part No.	Part Description	Qty.
1	150-7600	4" SIDE WHEEL (GREY)	2
2	253-7570	CASTER	2
3	260-5786	STAR KNOB, 3/8-16 THREAD	2
4	35-8460	STANDOFF, 1.5"	2
5	37-0007	SQUEEGEE ROLLER SPACER	2
6	37-0008	SQUEEGEE ROLLER SPACER	3
7	41-1600	41 inch sticker	1
8	41-5084	41" SQUEEGEE BODY MIDDLE	1
9	41-5089	41" SQUEEGEE BODY MIDDLE (PLUS)	1
10	41-5091	41" SQUEEGEE BODY BOTTOM	1
11	45-7183	SQUEEGEE CASTER BRACKET (LH)	1
12	45-7184	SQUEEGEE CASTER BRACKET (RH)	1
13	H-0129152A	FLANGED NUT 3/8-16	1
14	H-21155	CB 1/4"- 20 X 1.0" ZINK	4
15	H-21818	CB 3/8-16 X 1 1/4 ZINK	1
16	H-21860	CB 5/16"- 18 X 1-3/4" ZINK	2
17	H-37019	NYLOK 1/4"- 20 ZINC	10
18	H-37021	NYLOK 5/16" - 18 ZINC	2
19	H-37025	NYLOK 3/8"-16 ZINC	1
20	H-74425	CB 1/4"- 20 X 2-3/4" SS	6
21	H-74441	CB 3/8"- 16 X 3.0" SS	2



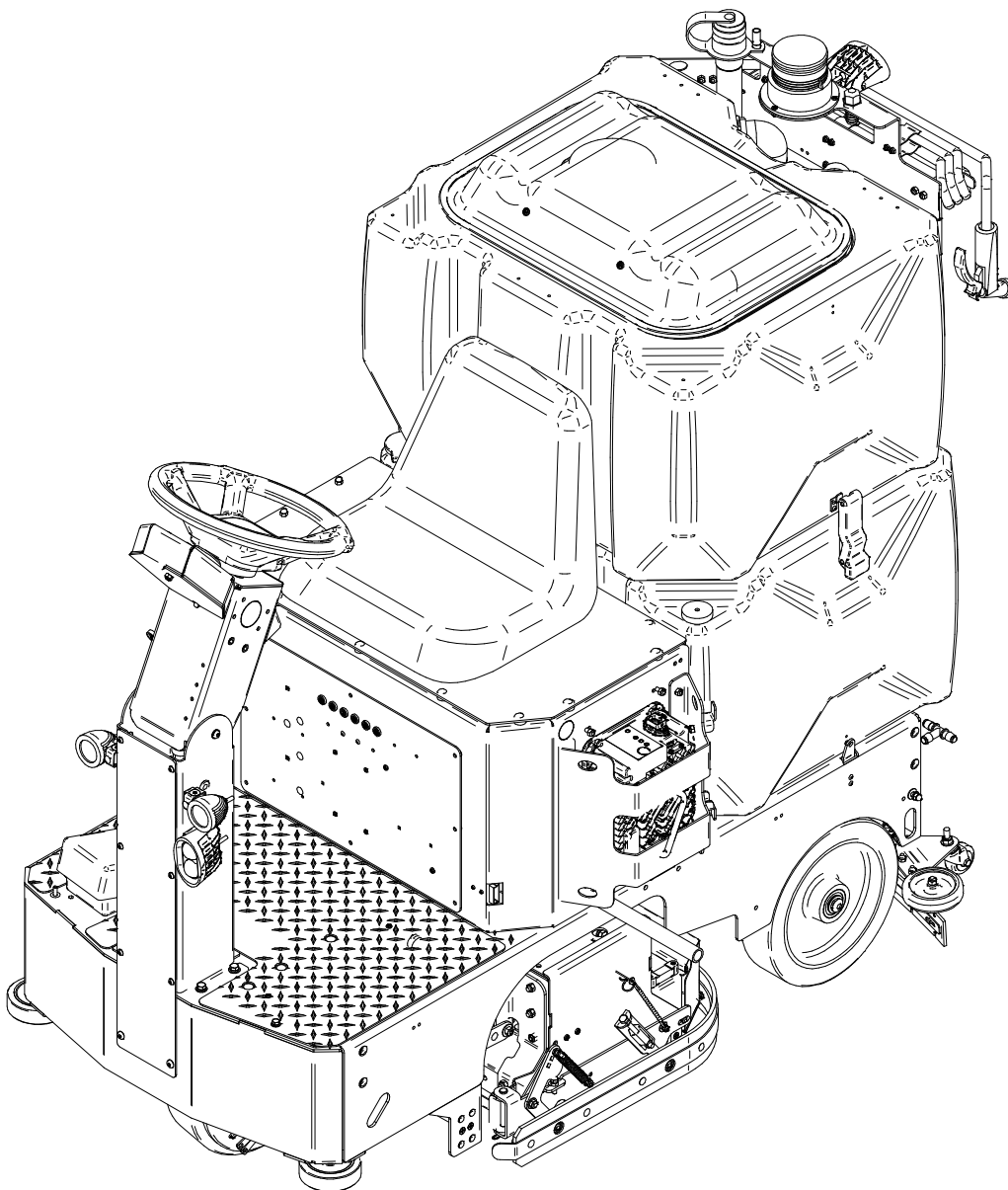
*L= Linatex
U= Urethane



37 INCH SQUEEGEE ASSEMBLY 237-9180



41 INCH SQUEEGEE ASSEMBLY 241-9180



WHICH BATTERY CHAGER TO USE WITH BATTERY SELECTION

PART NUMBER	DESCRIPTION	STANDARD/OPTION	ON BOARD CHARGER	SEAT BOX
250-2113	240AH 6V TROJAN WET	STANDARD	175-2460	STANDARD
370-2117	310AH 6V TROJAN WET	OPTION	264-2460	STANDARD
370-2118	420AH 6V TROJAN WET	OPTION	264-2460	TALL
250-3120	250AH 6V US-BATTERY AGM	OPTION	175-2460	STANDARD
370-3121	400AH 6V US-BATTERY AGM	OPTION	264-2460	TALL

OTHER

Common Wear Parts

NOTICE

THE ## IN THE DISK COLUMN DENOTES DESK PAD SIZE: 14", 15", 16"

ROUND DISK BRUSHES

BRUSHES	DISK	LEVEL
MIDI GRIT	706-##C	MEDIUM
LIGHT GRIT	706-##PS	MODERATE
NYLON	706-##N	LIGHT
PAD DRIVER	706-##D	
PAD DRIVER PAD RETAINER	#40-433	
PAD DRIVER SPRING CLIP	#40-423	

NOTICE

THE ## IN THE DISK COLUMN DENOTES DESK PAD SIZE: 14", 15", 16"

ROUND DISK PADS

DISK PADS	DISK	LEVEL	COLOR
SUPER BLACK	##-422BB	VERY HIGH	BLACK
BLACK	##-422B	HIGH	BLACK
BROWN	##-422BR	HIGH	BROWN
GREEN	##-422G	MEDIUM	GREEN
BLUE	##-422BL	MODERATE	BLUE
RED	##-422R	MODERATE	RED
WHITE	##-422W	LIGHT	WHITE

CYLINDRICAL BRUSHES

BRUSHES	MODEL 26"	MODEL 30"	LEVEL
MIDI GRIT	75-246C	75-286C	MEIDUM
LIGHT GRIT	75-246PS	75-286PS	MODERATE
NYLON	75-246N	75-286N	LIGHT

Squeegee Blade Kits

SQUEEGEE BLADE KITS & COMPLETE SQUEEGEE ASSEMBLIES:

SQUEEGEE SIZE	24" DECK	26" DECK	28" DECK	30" DECK	32" DECK
37" Squeegee	Standard	Standard	Standard	Optional	Optional
41" Squeegee	Optional	Optional	Optional	Standard	Standard

SQUEEGEE SIZE	LINATEX BLADE KIT	GUM RUBBER BLADE KIT	URETHANE BLADE KIT	NANORADE BLADE KIT	COMPLETE SQUEEGEE ASSEMBLIES
37" Squeegee	237-770L	237-770G	237-770U	237-756N	237-7180
41" Squeegee	241-770L	241-770G	241-770U	241-756N	241-7180

SQUEEGEE MATERIAL:	USED FOR:
LINATEX	Provides best wear and tear resistance. Not designed for use with harsh chemicals.
URETHANE	Provides best resistance when dealing with harsh chemicals, oils, fuels, etc.
GUM	Provides best drying performance on rough/ grouted floor types by sealing over irregularities. Short life.
NANORADE	Increased durability, optimal water pick up and reduced friction.

NOTICE

Squeegee blade kits include (1) Rear Blade, (1) Front Blade, and (2) Caster Wheels with hardware.

NOTICE

Squeegee Assemblies (complete) listed above all come with Linatex blades.

NOTICE

Size is denoted by label on top squeegee.



BLANK

THIS PAGE WAS INTENTIONALLY LEFT BLANK

