

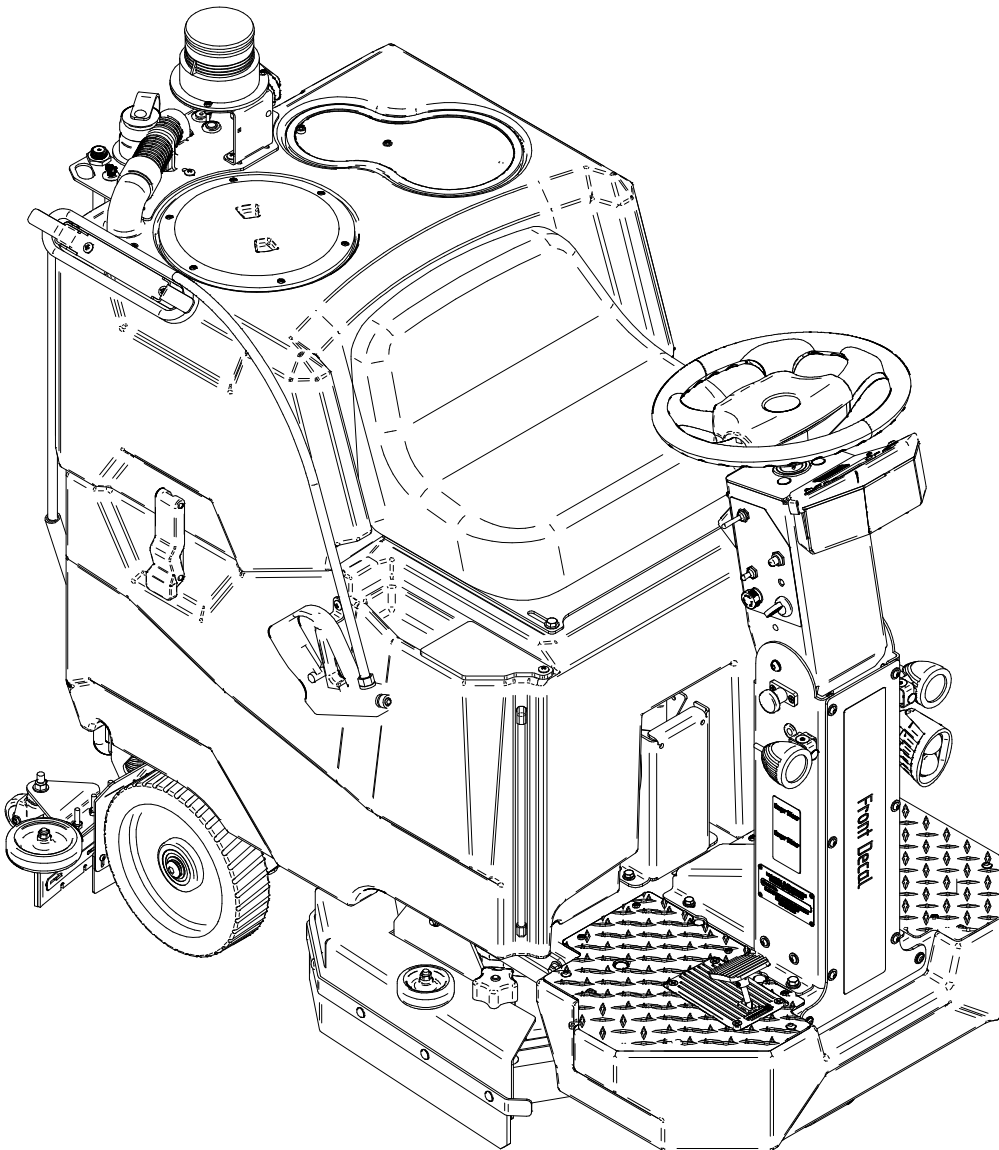


Parts Manual (EN)

Models:

20, 26" Disk

24" Orbital



Read the Operators Manual
before using the machine.



Read the Safety Messages
before servicing machine.

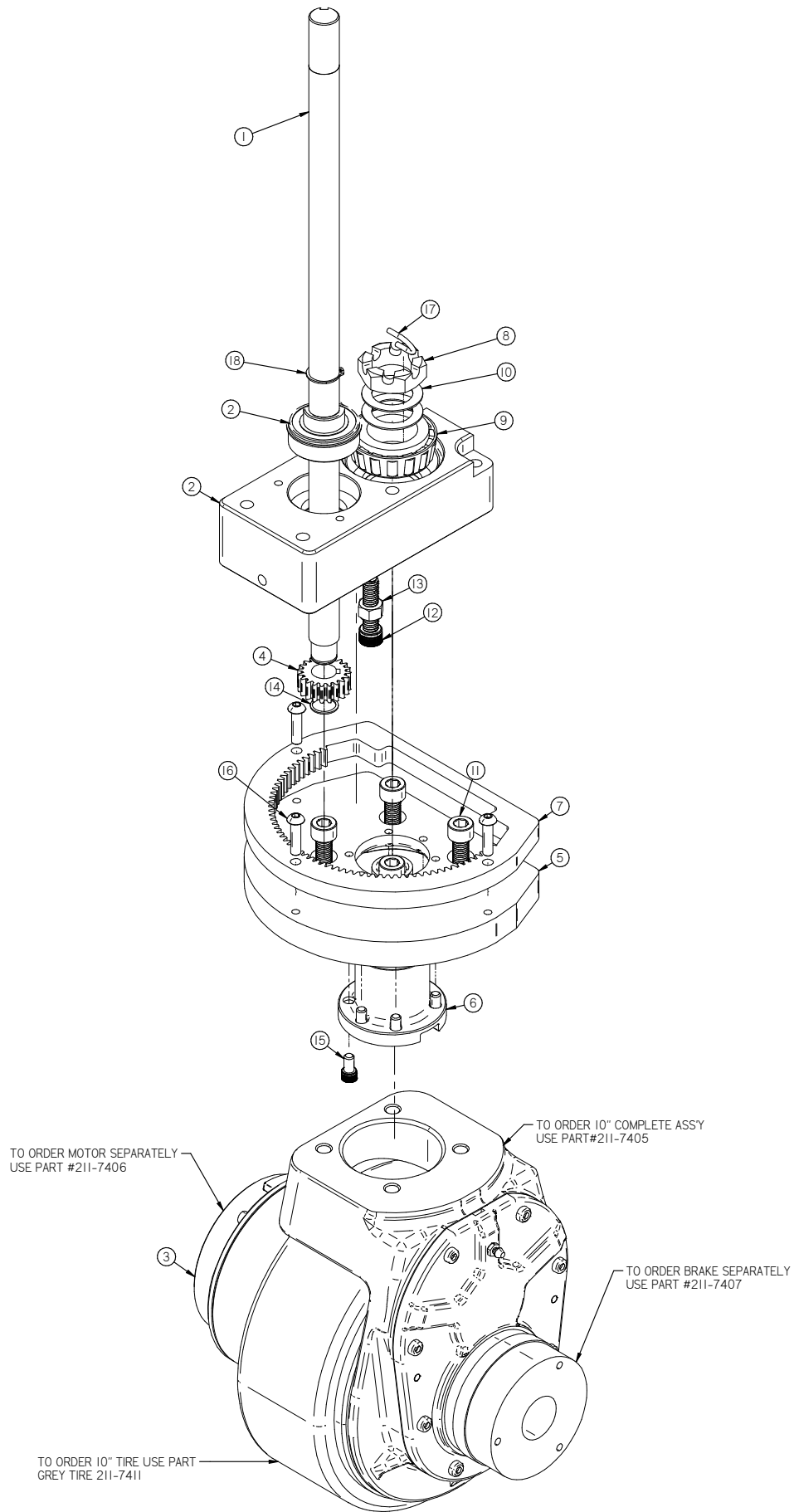
CONTENTS

FRONT WHEEL DRIVE4
FRONT WHEEL DRIVE ASSEMBLY6
20" DISK & EDGE DECK ACTUATOR TOWER 8
26" DISK DECK ACTUATOR TOWER 10
20" DISK DECK12
20" DISK DECK ARMS14
26" DISK DECK16
DISK DECK SHROUDS18
DISK BRUSH OPTIONS20
ORBITAL DECK22
ORBITAL DECK ARMS24
SQUEEGEE LINKAGE26
REAR AXLE & LINKAGE ASSEMBLY28
STEERING UPRIGHT30
TOP STEERING UPRIGHT.32
MEMBRAN DASH BOARD34
TOUCH SCREEN DASH36
FRONT TANK ASSEMBLY38
STEERING SHAFT ASSEMBLY40
CENTRAL COMMAND PANNEL.42
TOUCH SCREEN CENTRAL COMMAND 44
RECOVERY TANK ASSEMBLY.46
SOLUTION TANK ASSEMBLY.48
TANK UTILITY BRACKET50
SQUEEGEE52
SOLUTION SYSTEM.54
SOLUTION SYSTEM + SPRAY JET56
SOLUTION SYSTEM + DISINFECTANT ROUTING 58
BATTERY AND CHARGER OPTIONS 60
SCHEMATIC61
DECAL KIT62

BLANK

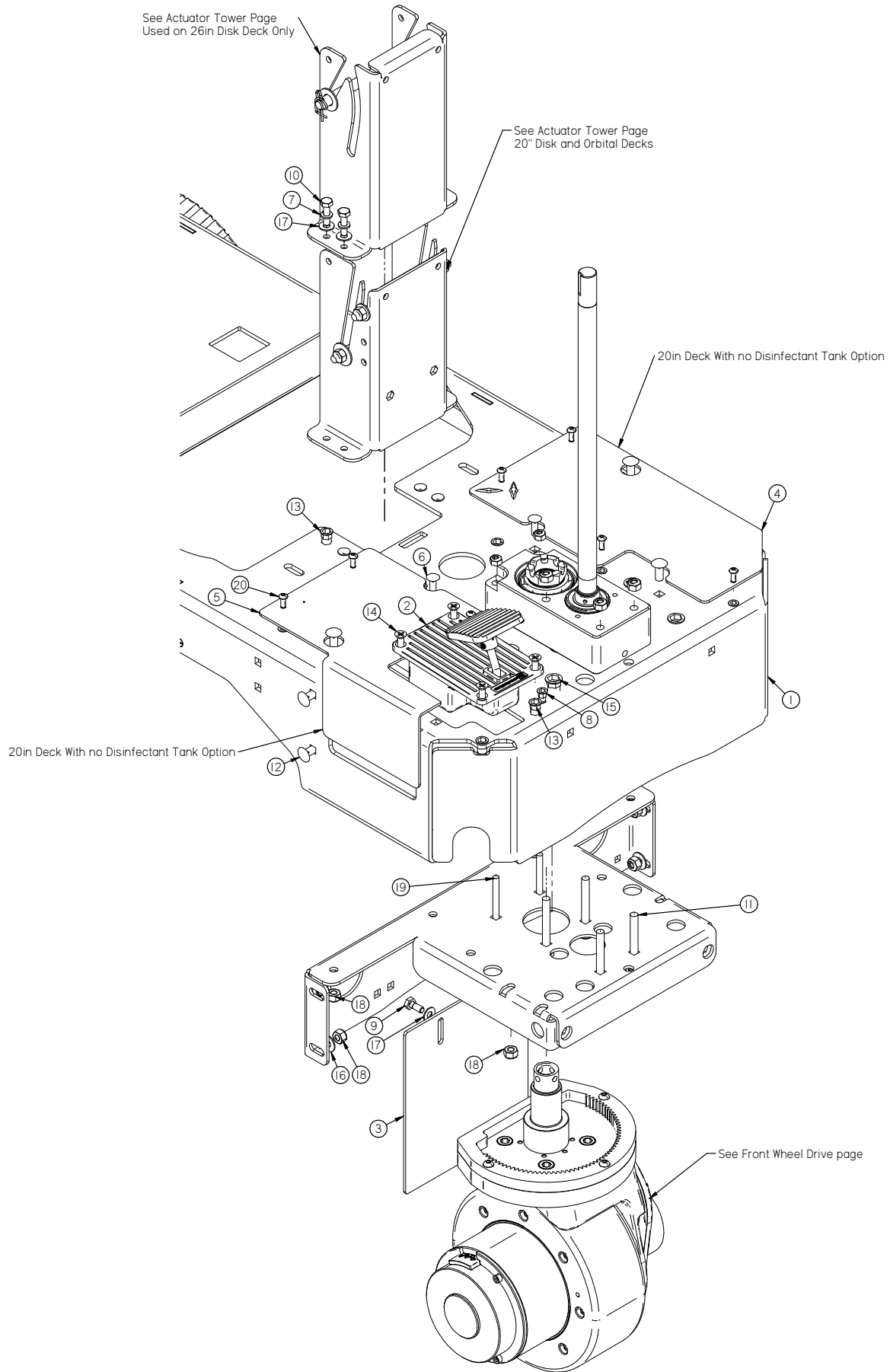
THIS PAGE WAS INTENTIONALLY LEFT BLANK

FRONT WHEEL DRIVE



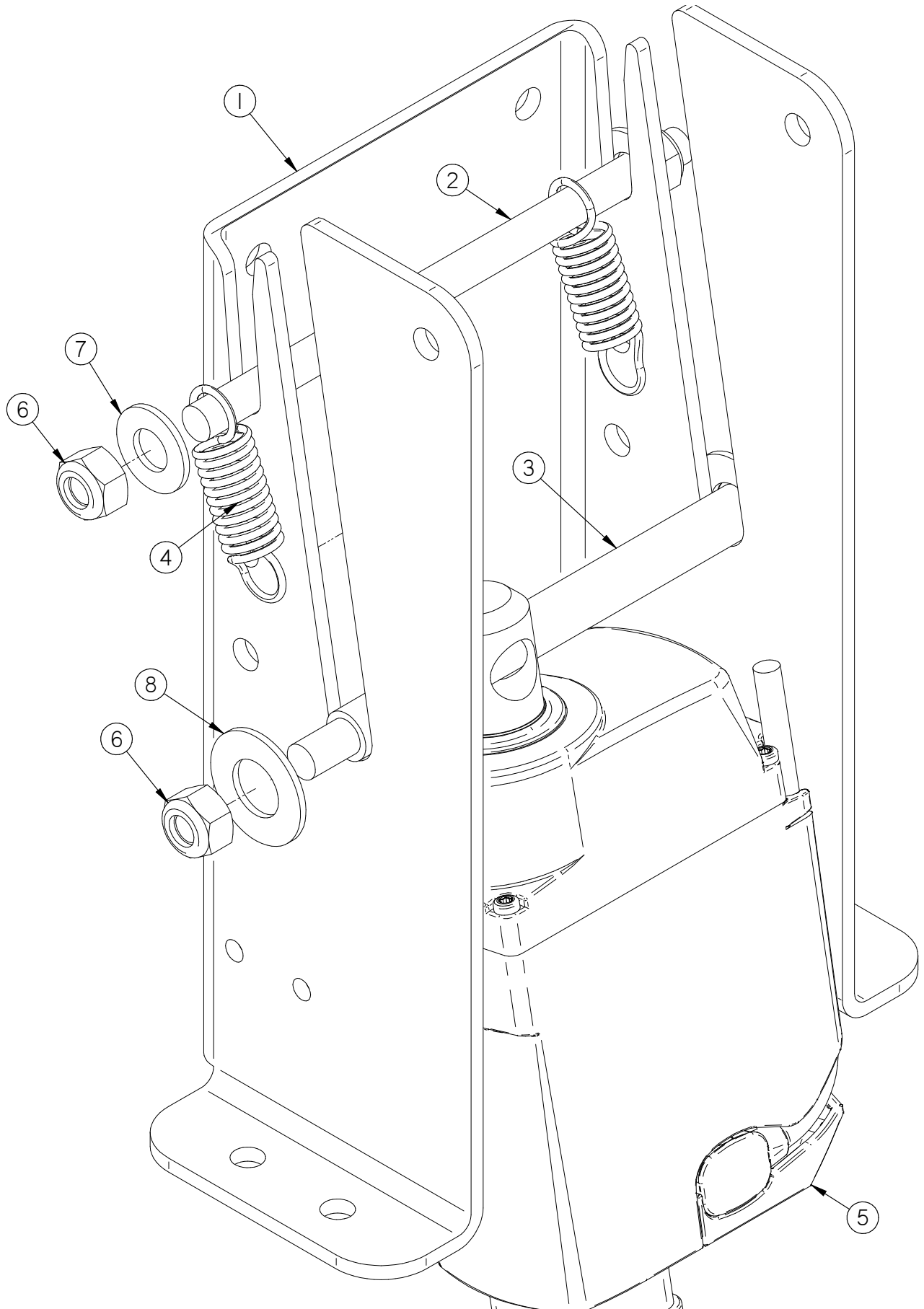
Item	Part No.	Part Description	Qty.
1	211-7121	STEERING SHAFT, LOWER	1
2	211-7230A	BEARING BLOCK ASSEMBLY	1
3	211-7405	Drive, Front Wheel, 8, 24v	1
4	211-7409	STEERING SHAFT GEAR	1
5	211-7410	Drive Plate	1
6	211-7412	Steering Spindle	1
7	211-7451	Steering Ring Gear	1
8	37-7321	SLOTTED NUT, 2.0 - 12	1
9	370-7317	TAPERED ROLLER BEARING	1
10	8-713	1 1/2" THRUST WASHER	2
11	H-0142070	SHCS 10mm X 25mm ZINK	4
12	H-11588038	SHCS .375-16 X 1.5 Fully Threaded	2
13	H-37025	NYLOK 3/8"-16 ZINK	2
14	H-68013	SNAPRING	1
15	H-73459	SHCS .25-20 x .5 SS	6
16	H-94053	BHSCS .25-20 X 1.00 ZINK	3
17	M-938IT24	S-HOOK	1
18	M-97633A250	Snapring For .75 OD Shaft	1

FRONT WHEEL DRIVE ASSEMBLY



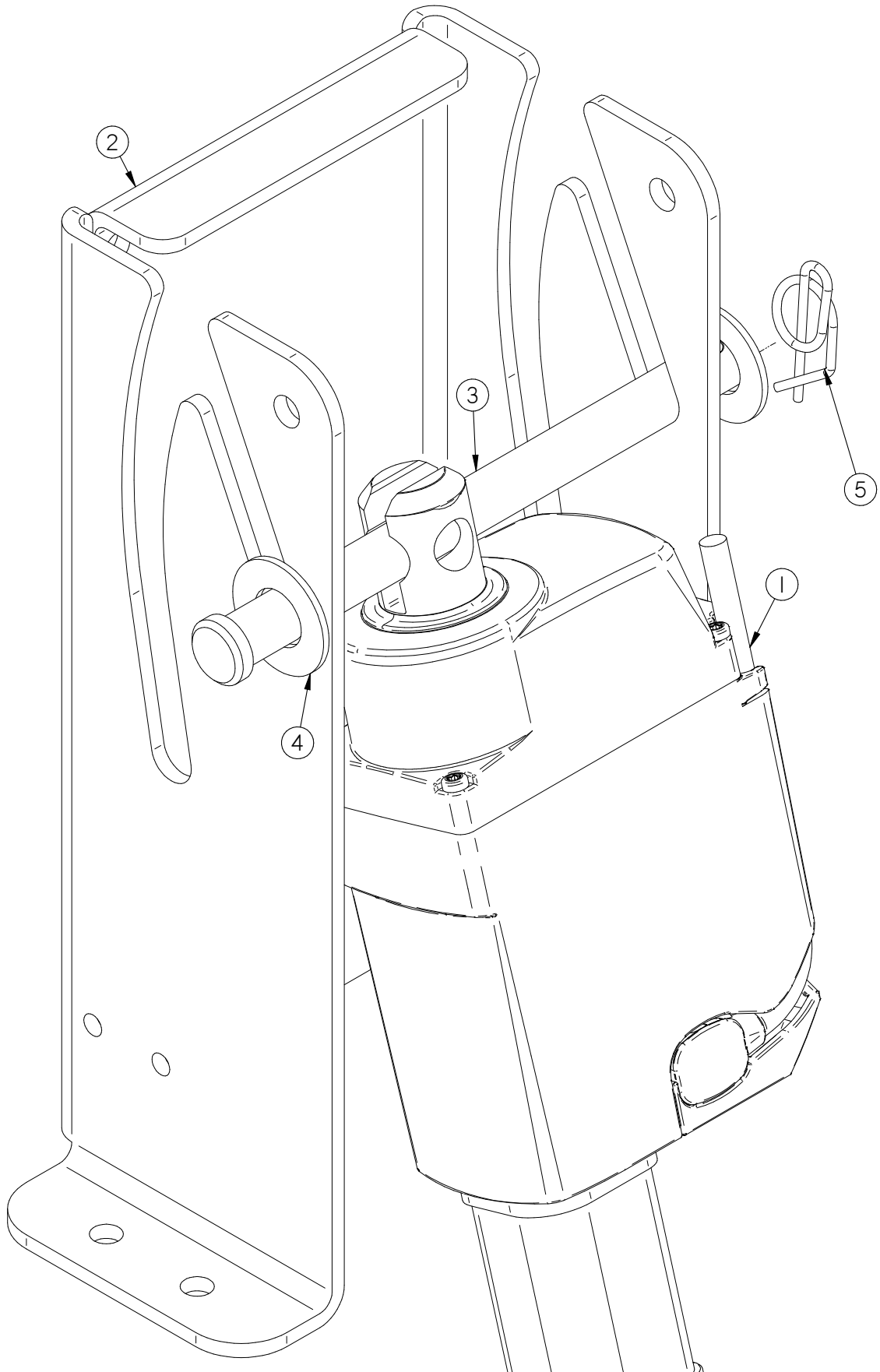
Item	Part No.	Part Description	Qty.
1	211-1100	Micro Rider Main Frame	1
2	211-7430	Foot Petal 24v	1
3	211-9120	FWD MUD FLAP	1
4	211-9693	FOOT PLATE LEFT SIDE 20IN DECK	1
5	211-9694	FOOT PLATE RIGHT 20IN DECK	1
6	H- 21153	CB 1/4"- 20 X .75" ZINC	2
7	H-0157797	LW 1/4" ZINK	4
8	H-1032HCN	HCN #10-32	8
9	H-13002	HCS 1/4"-20 X 5/8" ZINK	2
10	H-13005	HCS 1/4"- 20 X 1" ZINK	4
11	H-21164	CB 5/16"- 18 X 2.5" ZINK	4
12	H-21810	CB 5/16"- 18 X 3/4" ZINC	8
13	H-250HCN	HCN 1/4"-20	10
14	H-29566	FHP 1/4"- 20 X 3/4" ZINC	4
15	H-312HCN	HCN 5/16"-18	4
16	H-33006	FW 5/16 ID X 3/4 OD ZINC	4
17	H-33078	FW 1/4 ID X 5/8 OD ZINK	10
18	H-37021	NYLOK 5/16" - 18 ZINC	14
19	H-74397	CB 1/4"- 20 X 2-1/4" SS	1
20	H-94040	BHSCS 10-32 X .50 ZINK	7

20" DISK & EDGE DECK ACTUATOR TOWER



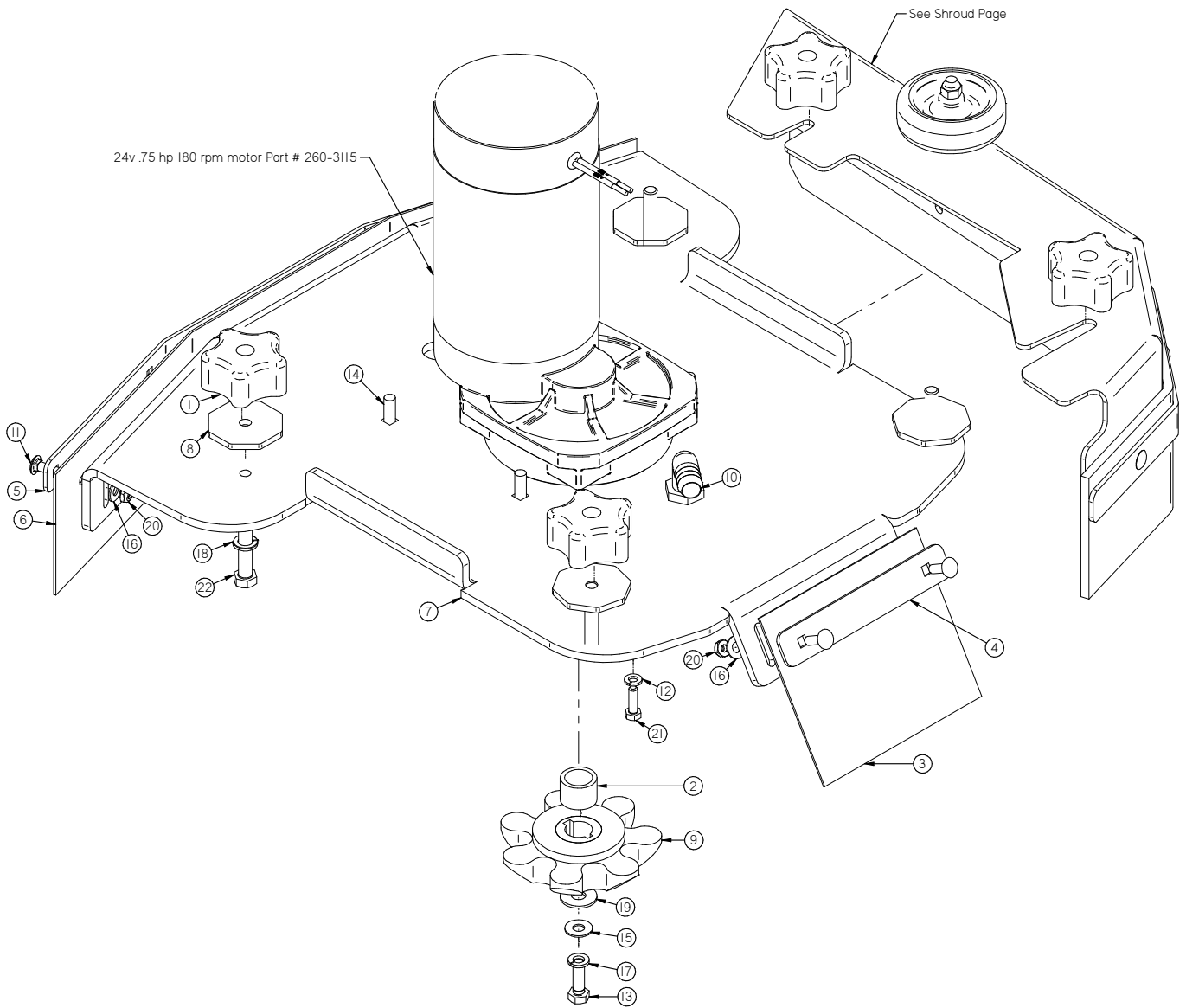
Item	Part No.	Part Description	Qty.
1	211-9702	Actuator Tower 20in Deck	1
2	211-9727	Actuator Pin	1
3	211-9728	Spring Pin	1
4	211-9729	1.75" Long, 0.5" OD, .063 Wire Dia	1
5	260-2210	2-1/2" STROKE ACTUATOR (24V 900Nm)	1
6	H-37021	NYLOK 5/16" - 18 ZINC	4
7	H-4440024	FW 3/8" X 3/4 NYLON	2
8	H-76065	FW 1/2" NYLON	2

26" DISK DECK ACTUATOR TOWER



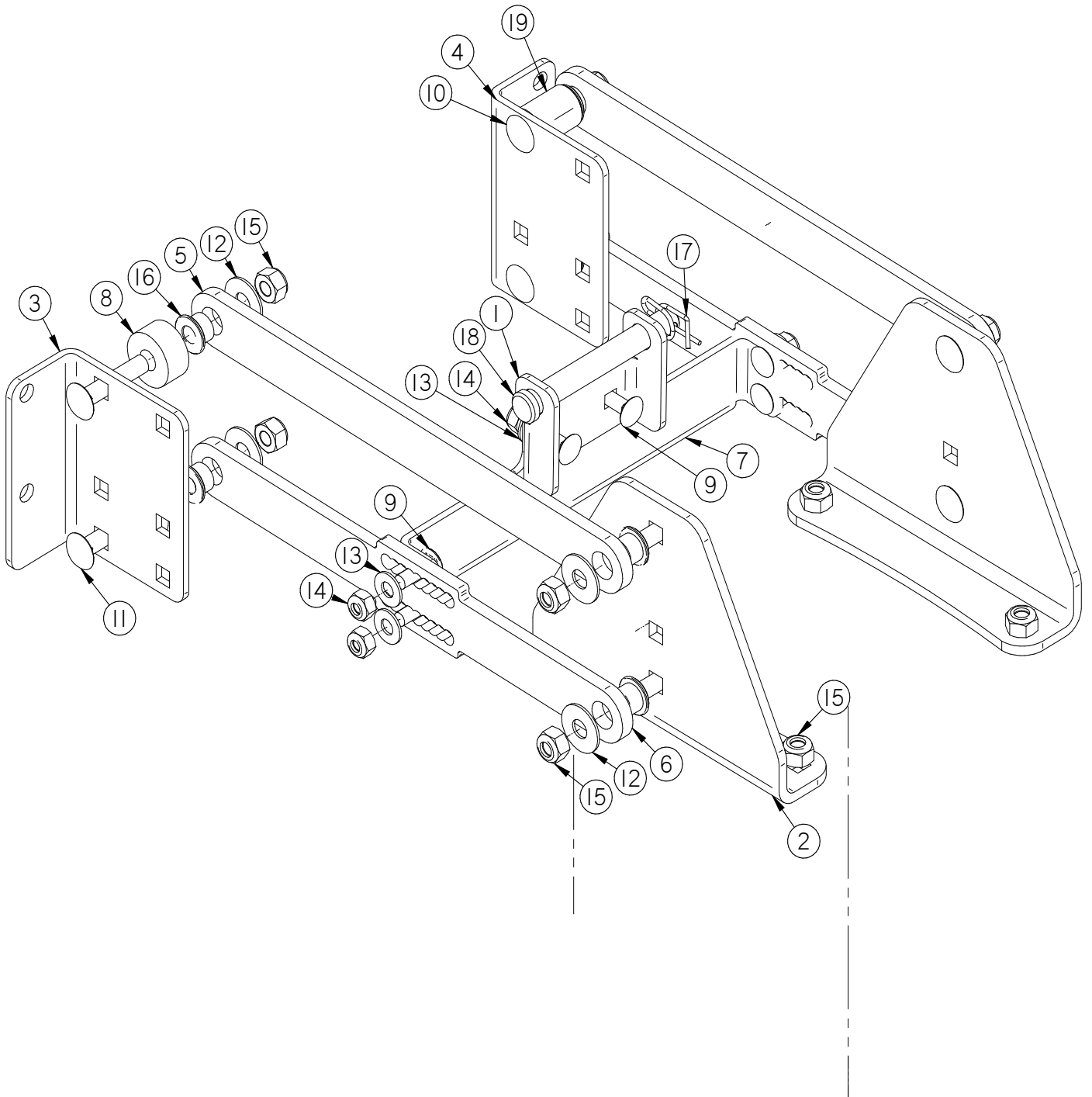
Item	Part No.	Part Description	Qty.
1	175-2240	3-1/4" STROKE ACTUATOR (24V 1200Nm)	1
2	211-4028	UPPER Deck Actuator Bracket	1
3	700-5005	7/16" X 5-1/2" CLEVIS PIN	1
4	H-76065	FW 1/2" NYLON	2
5	H-RUE76	rue ring cotter .4375	1

20" DISK DECK



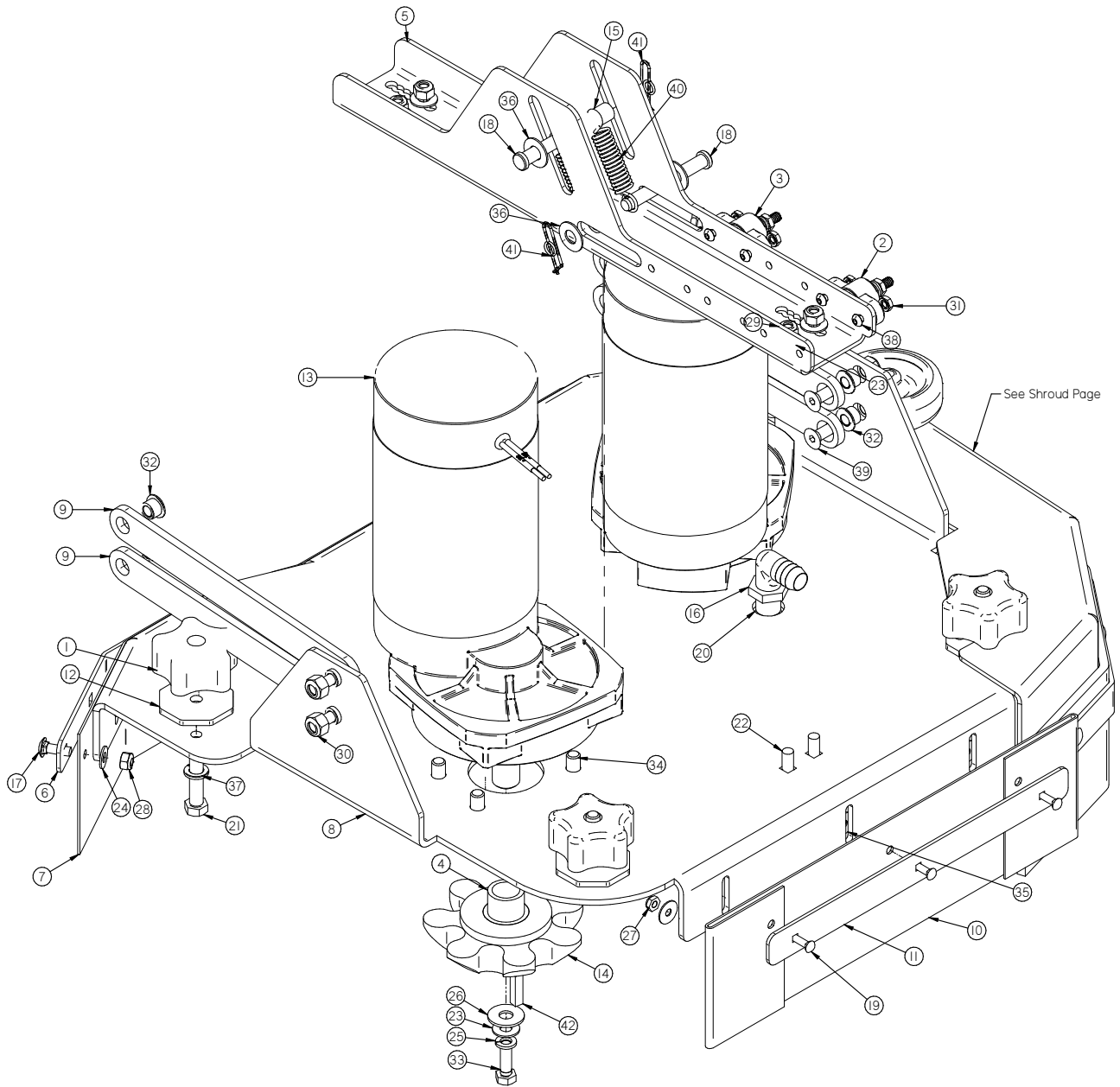
Item	Part No.	Part Description	Qty.
1	150-5786	STAR KNOB, 3/8-16 THREAD	4
2	175-5005	DRIVER SPACER	1
3	211-1078	20" REAR DECK CURTAIN	1
4	211-1081	20 INCH REAR CURTAIN BAND	1
5	211-1125	20" FRONT CURTAIN BAND	1
6	211-1165	20 FRONT DECK CURTAIN	1
7	211-9110	20IN DISK DECK	1
8	250-1084	SHROUD ADJUSTMENT KNOB	4
9	260-5000	BRUSH DRIVER RED HARD COAT (_7-LOBE_)	1
10	7-248	5/8 BARB TO 1/2 NPT ELBOW	1
11	H- 21153	CB 1/4"- 20 X .75" ZINC	13
12	H-0157797	LW 1/4" ZINK	1
13	H-13055	HCS 5/16"- 18 X 1" ZINK	1
14	H-21811	CB 5/16"- 18 X 1" ZINK	8
15	H-33006	FW 5/16 ID X 3/4 OD ZINC	1
16	H-33078	FW 1/4 ID X 5/8 OD ZINK	13
17	H-33620	LW 5/16" ZINK	1
18	H-33622	LW 3/8" ZINK	4
19	H-33622	FW 3/8" ZINK NOM ID .4375 X OD 1.0	1
20	H-37020	JNYL 1/4" - 20 ZINC	7
21	H-38564	M6 METRIC BOLT	1
22	H-71190	HCS 3/8"- 16 X 2-1/2" SS (FULLY THREADED)	4

20" DISK DECK ARMS



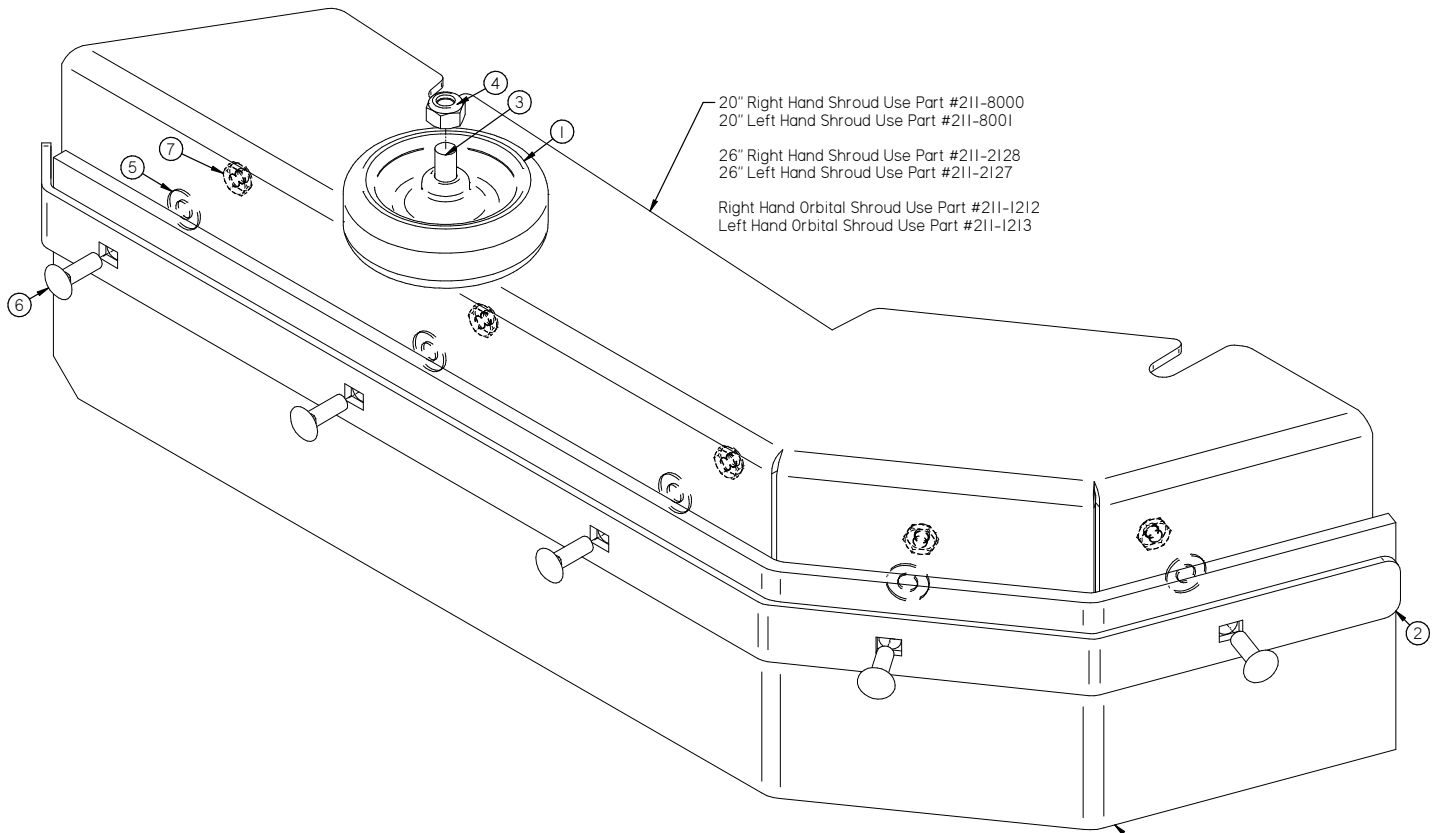
Item	Part No.	Part Description	Qty.
1	211-9088	DECK ACTUATOR MOUNT	1
2	211-9111	20" DISK DECK BRACKETS	2
3	211-9696	CENTER MOUNT DECK BRACKET LEFT	1
4	211-9697	CENTER MOUNT DECK BRACKET RIGHT	1
5	211-9699	TOP LATERAL ARM EDGE DECK	2
6	211-9700	LATERAL ARM	2
7	211-9708	DECK CENTER ARM	1
8	8-618	SPACER	2
9	H- 21153	CB 1/4"- 20 X .75" ZINC	13
10	H-21261	CB 5/16"- 18 X 2" ZINK	1
11	H-21813	CB 5/16"- 18 X 1-1/2" ZINK	1
12	H-33004	FW 5/16 ID X 7/8 OD ZINK	8
13	H-33078	FW 1/4 ID X 5/8 OD ZINK	13
14	H-37019	NYLOK 1/4"- 20 ZINC	6
15	H-37021	NYLOK 5/16" - 18 ZINC	12
16	H-5012	5/16" ID, 1/2" OD, 3/8" LG, FLANGE BEARING	8
17	H-RUE76	rue ring cotter .4375	1
18	M-92390A327	7/16" X 3-1/2" CLEVIS PIN	1
19	M-92415A134	.75 OD X .3125 ID X 1 LG	1

26" DISK DECK



Item	Part No.	Part Description	Qty.
1	150-5786	STAR KNOB, 3/8-16 THREAD	4
2	175-2700	NEG INSULATOR POST (BLACK)	1
3	175-2710	POS INSULATOR POST (RED)	1
4	175-5005	DRIVER SPACER	2
5	211-1103	26IN DISK SCRUB DECK BRACKET	1
6	211-1124	26" FRONT CURTAIN BAND	1
7	211-1164	26 FRONT DECK CURTAIN	1
8	211-4019	26IN DISK DECK	1
9	211-9683	LATERAL ARM	4
10	250-1078	26/30 REAR DECK CURTAIN	1
11	250-1081	26/30 REAR CURTAIN BAND	1
12	250-1084	SHROUD ADJUSTMENT KNOB	4
13	260-3111	MOTOR, 24V, 3/4 HP, 270 RPM	2
14	260-5000	BRUSH DRIVER RED HARD COAT (_7-LOBE_)	1
15	370-1081	SLEEVE BEARING	1
16	7-248	5/8 BARB TO 1/2 NPT ELBOW	2
17	H- 21153	CB 1/4"- 20 X .75" ZINC	7
18	H-0156756	CLEVIS PIN 3/8" x 3.00"	2
19	H-0172521	CB #10-32 X 1" SS	3
20	H-07005	1/2" NPT LOCKNUT	2
21	H-13815	HCS 3/8"- 16 X 2-1/2" ZINK (FULLY THREADED)	4
22	H-21810	CB 5/16"- 18 X 3/4" ZINC	4
23	H-33006	FW 5/16 ID X 3/4 OD ZINC	6
24	H-33078	FW 1/4 ID X 5/8 OD ZINK	7
25	H-33620	LW 5/16" ZINK	2
26	H-33622	FW 3/8" ZINK NOM ID .4375 X OD 1.0	2
27	H-37015	NYLOK #10-32 ZINC	3
28	H-37019	NYLOK 1/4"- 20 ZINC	7
29	H-37021	NYLOK 5/16" - 18 ZINC	4
30	H-37025	NYLOK 3/8"-16 ZINK	4
31	H-37408	KN #10-32 ZINK	6
32	H-5012	5/16" ID, 1/2" OD, 3/8" LG, FLANGE BEARING	8
33	H-70055	HCS 5/16"- 18 X 1" SS	2
34	H-70141	HCS 3/8"-24 X 3/4" SS	8
35	H-71010	FW #10 ID X 11/16 OD SS	3
36	H-71017	FW 3/8 ID X 7/8 OD SS	4
37	H-71067	LW 3/8" SS	12
38	H-94040	BHSCS 10-32 X .50 ZINK	6
39	H-94256	FHSCS 5/16"- 18 X 1" ZINK	4
40	H-96544	SPRING, 4-1/8" LG X 9/16" OD (42E)	2
41	H-RUE14	3/8" RUE RING COTTER	2
42	M-0953154	1/4" X 1" KEY	2

DISK DECK SHROUDS

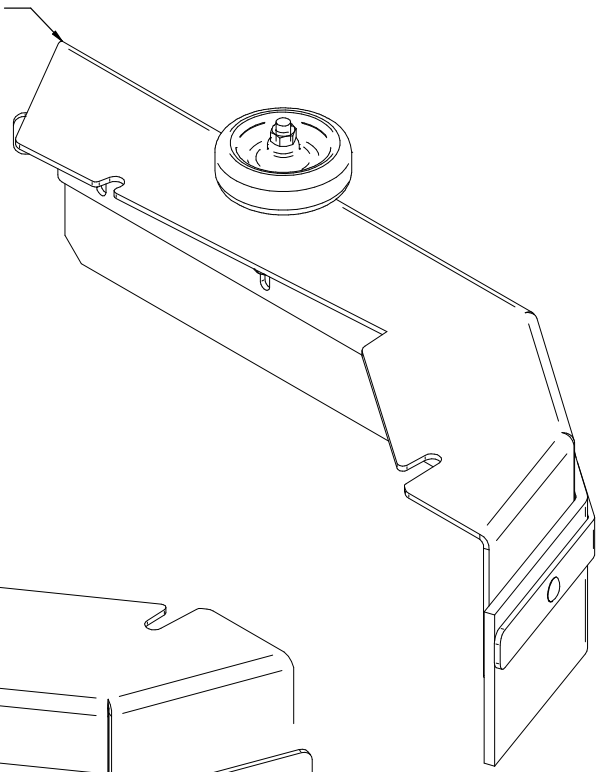


20" Right Hand Shroud Use Part #211-8000
 20" Left Hand Shroud Use Part #211-8001
 26" Right Hand Shroud Use Part #211-2128
 26" Left Hand Shroud Use Part #211-2127
 Right Hand Orbital Shroud Use Part #211-1212
 Left Hand Orbital Shroud Use Part #211-1213

Assemblies

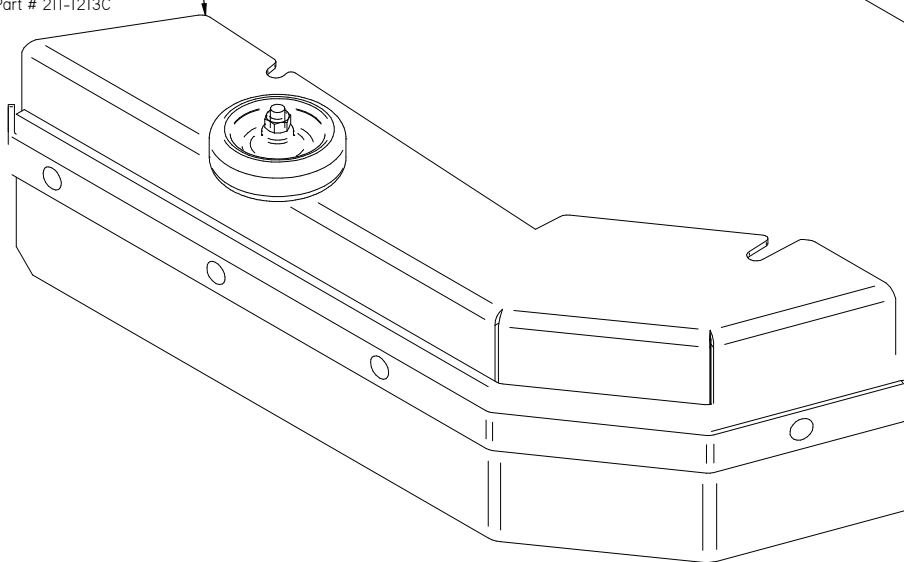
To order Complete IRH Shroud Assembly
 For 26" Use Part # 211-2128C
 For 20" Use Part # 211-8000C
 For Orbital Use Part # 211-1212C

211-2139L Linatex Shroud Wiper
 211-2139U Urethane Shroud Wiper



Assemblies

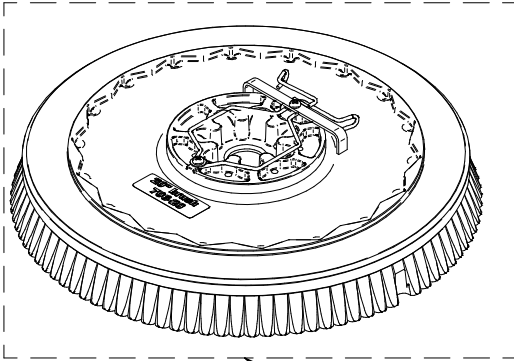
To order Complete ILHI Shroud Assembly
 For 26" Use Part # 211-2127C
 For 20" Use Part # 211-8001C
 For Orbital Use Part # 211-1213C



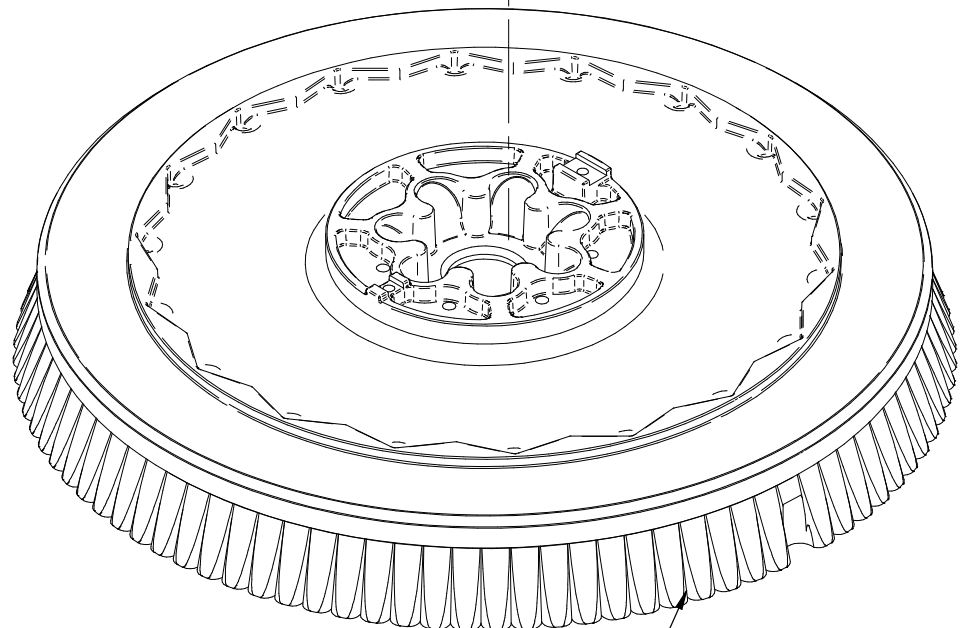
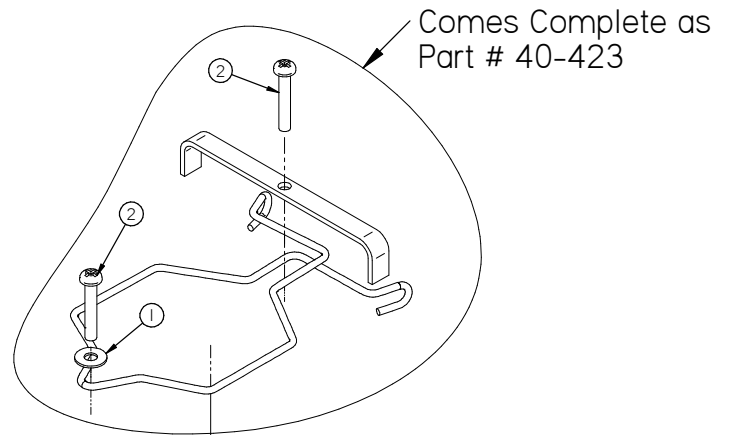
Item	Part No.	Part Description	Qty.
1	150-7601	3" SIDE WHEEL (GREY)	1
2	211-2140	DISK SHROUD WIPER BAND	1
3	H-21860	CB 5/16"- 18 X 1-3/4" ZINK	1
4	H-37021	NYLOK 5/16" - 18 ZINC	1
5	H-71013	FW 1/4 ID X 5/8 OD SS	5
6	H-74419	CB 1/4"- 20 X .75" SS	5
7	H-NJ04C	JNYL 1/4" - 20 SS	5

DISK BRUSH OPTIONS

Brush Chart		
Size	Brush type	Part Number
20	Midi-Grit	706-20C
20	Nylon Brush	706-20N
20	Poly Brush	706-20P
20	Light Grit Brush	706-20PS
20	Tough-Grit Brush	706-20S
20	Tampico Brush	706-20T
13	Midi-Grit	706-13C
13	Nylon Brush	706-13N
13	Poly Brush	706-13P
13	Light Grit Brush	706-13PS
13	Tough-Grit Brush	706-13S
13	Tampico Brush	706-13T



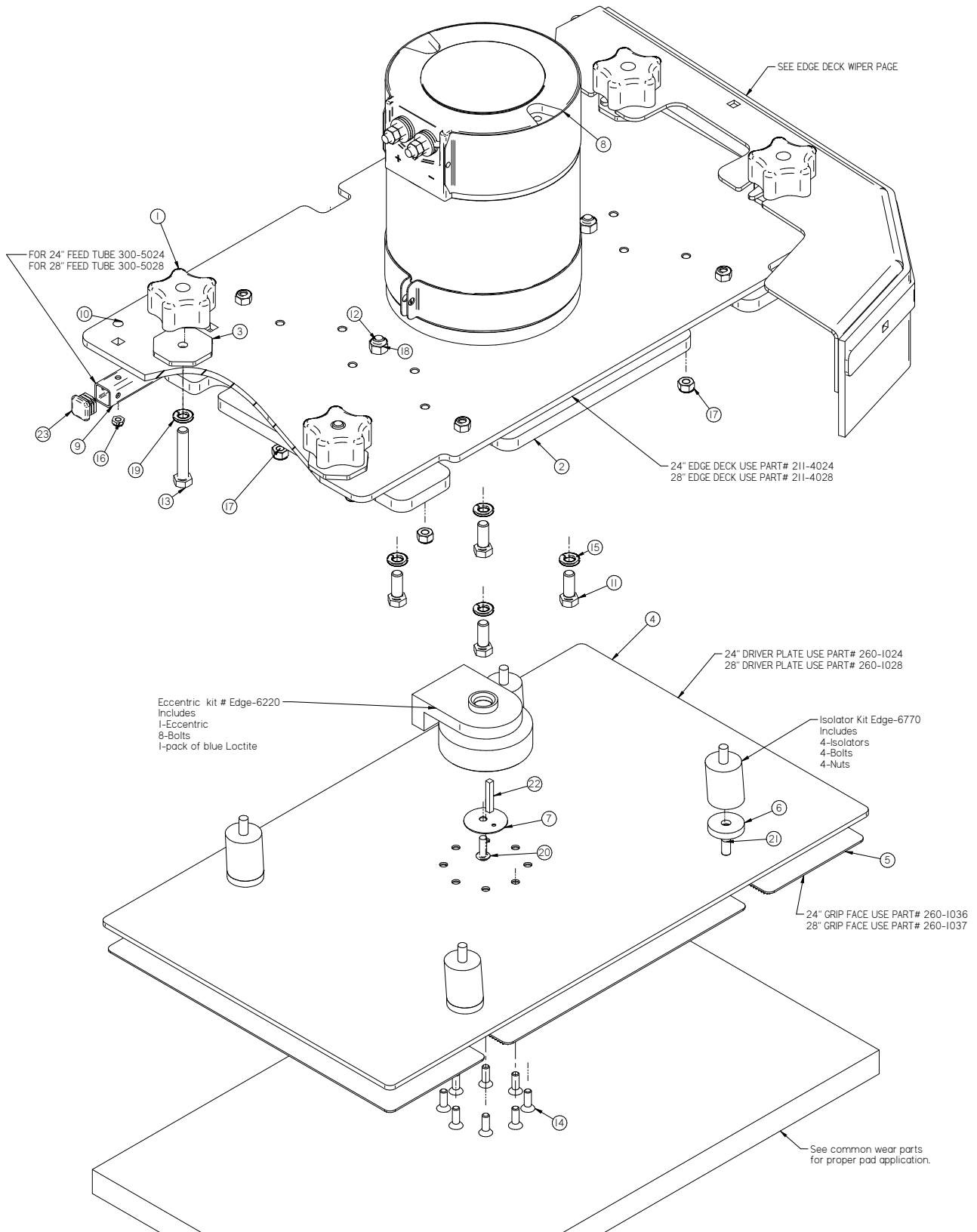
→ To order complete brush refer to the brush chart for part numbers



Refer to brush chart for differnt brush options

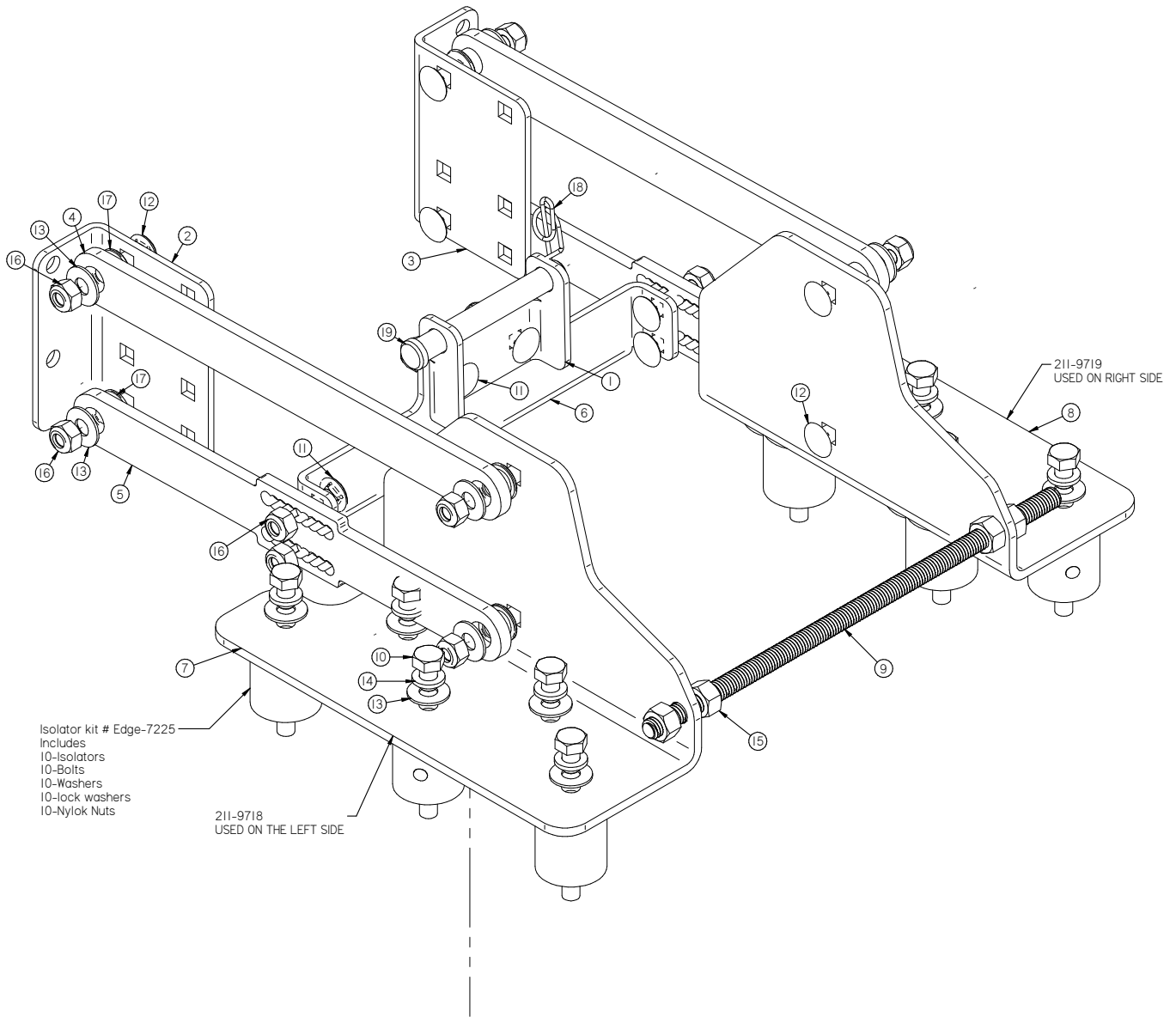
Item	Part No.	Part Description	Qty.
1	H-71014	FW 1/4 ID X 11/16 OD SS	1
2	H-72597	PPH 1/4-20 X 1-1/2" SS	2

ORBITAL DECK



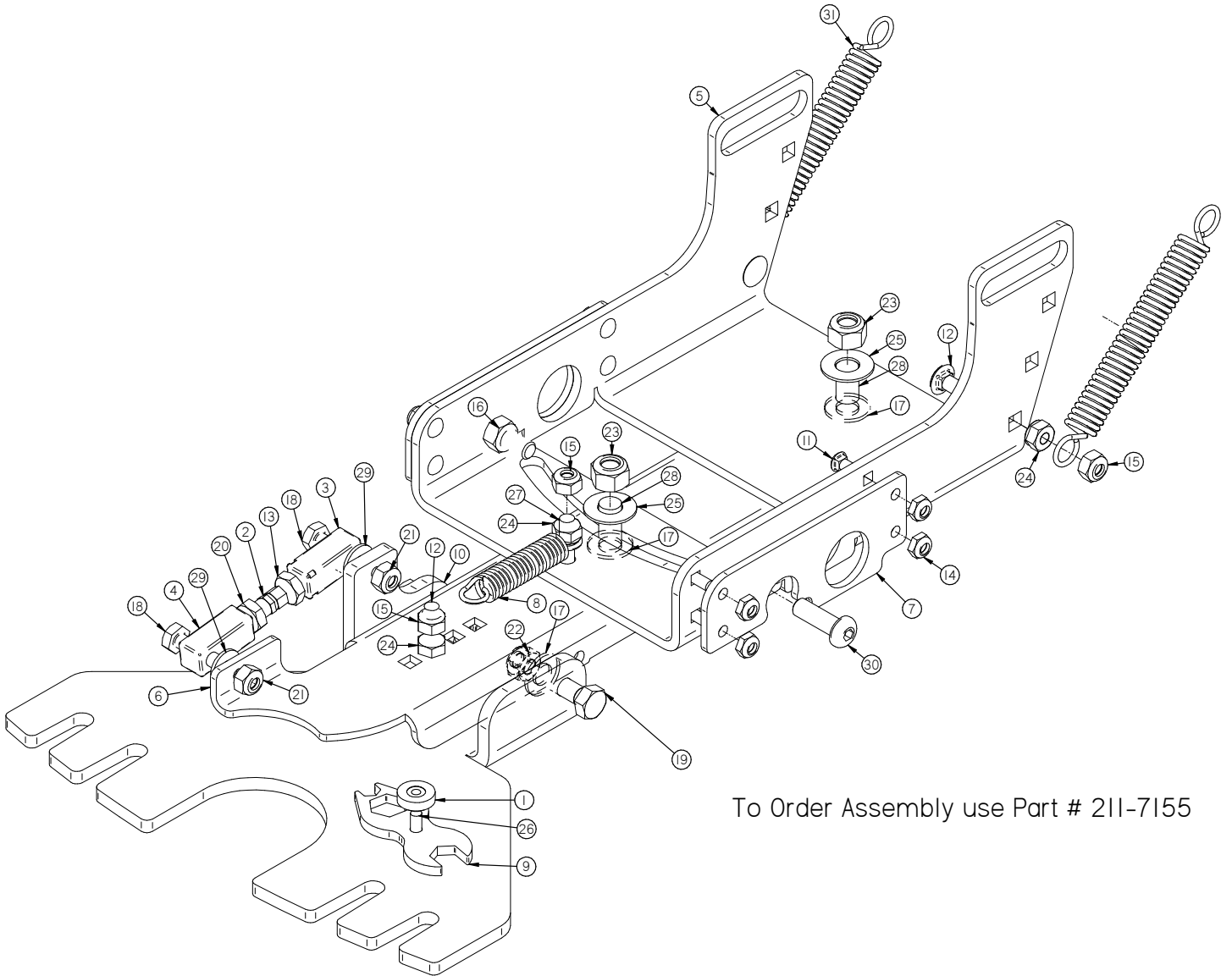
Item	Part No.	Part Description	Qty.
1	150-5786	STAR KNOB, 3/8-16 THREAD	4
2	211-9691	26 LB LOWER WEIGHT	1
3	250-1084	SHROUD ADJUSTMENT KNOB	4
4	260-1024	24 INCH ALUMINUM PAD DRIVER	1
5	260-1036	24" GRIP FACE	1
6	264-1033	1/4" SPACER	4
7	300-01030Z	CRUSH WASHER	1
8	300-2600	36V,IHP,2700 RPM	1
9	300-5024	SOLUTION FEED TUBE (24")	1
10	H-	CB #10-32 X 1-1/2" ZINK	2
11	H-13105	HCS 3/8"- 16 X 1" ZINC	4
12	H-13107	HCS 3/8"- 16 X 1-1/4" ZINK	2
13	H-13815	HCS 3/8"- 16 X 2-1/2" ZINK (FULLY THREADED)	4
14	H-29566	FHP 1/4"- 20 X 3/4" ZINC	8
15	H-33622	LW 3/8" ZINK	4
16	H-37015	NYLOK #10-32 ZINC	2
17	H-37021	NYLOK 5/16" - 18 ZINC	28
18	H-37025	NYLOK 3/8"-16 ZINK	2
19	H-71067	LW 3/8" SS	4
20	H-73754	BHSCS 1/4 - 20 X 3/4" SS	1
21	H-94254	FHSCS 5/16"- 18 X 3/4" ZINK	4
22	H-K14320	3/16" X 1 1/4" KEY	1
23	M-9565K5	3/4 X 3/4 SQ TUBE PLUG	2

ORBITAL DECK ARMS



Item	Part No.	Part Description	Qty.
1	211-9088	DECK ACTUATOR MOUNT	1
2	211-9696	CENTER MOUNT DECK BRACKET LEFT	1
3	211-9697	CENTER MOUNT DECK BRACKET RIGHT	1
4	211-9699	TOP LATERAL ARM EDGE DECK	2
5	211-9700	LATERAL ARM	2
6	211-9708	DECK CENTER ARM	1
7	211-9718	Right Side Orbital Deck Bracket	1
8	211-9719	Left Side Orbital Deck Bracket	1
9	H-11126234	3/8 x 10 Threaded Rod ZINK	1
10	H-13051	HCS 5/16"- 18 X 1/2" ZINK	10
11	H-21810	CB 5/16"- 18 X 3/4" ZINC	6
12	H-21811	CB 5/16"- 18 X 1" ZINK	8
13	H-33006	FW 5/16 ID X 3/4 OD ZINC	18
14	H-33620	LW 5/16" ZINK	10
15	H-36106	HN 3/8"-16	4
16	H-37021	NYLOK 5/16" - 18 ZINC	28
17	H-5012	5/16" ID, 1/2" OD, 3/8" LG, FLANGE BEARING	8
18	H-RUE76	rue ring cotter .4375	1
19	M-92390A327	7/16" X 3-1/2" CLEVIS PIN	1

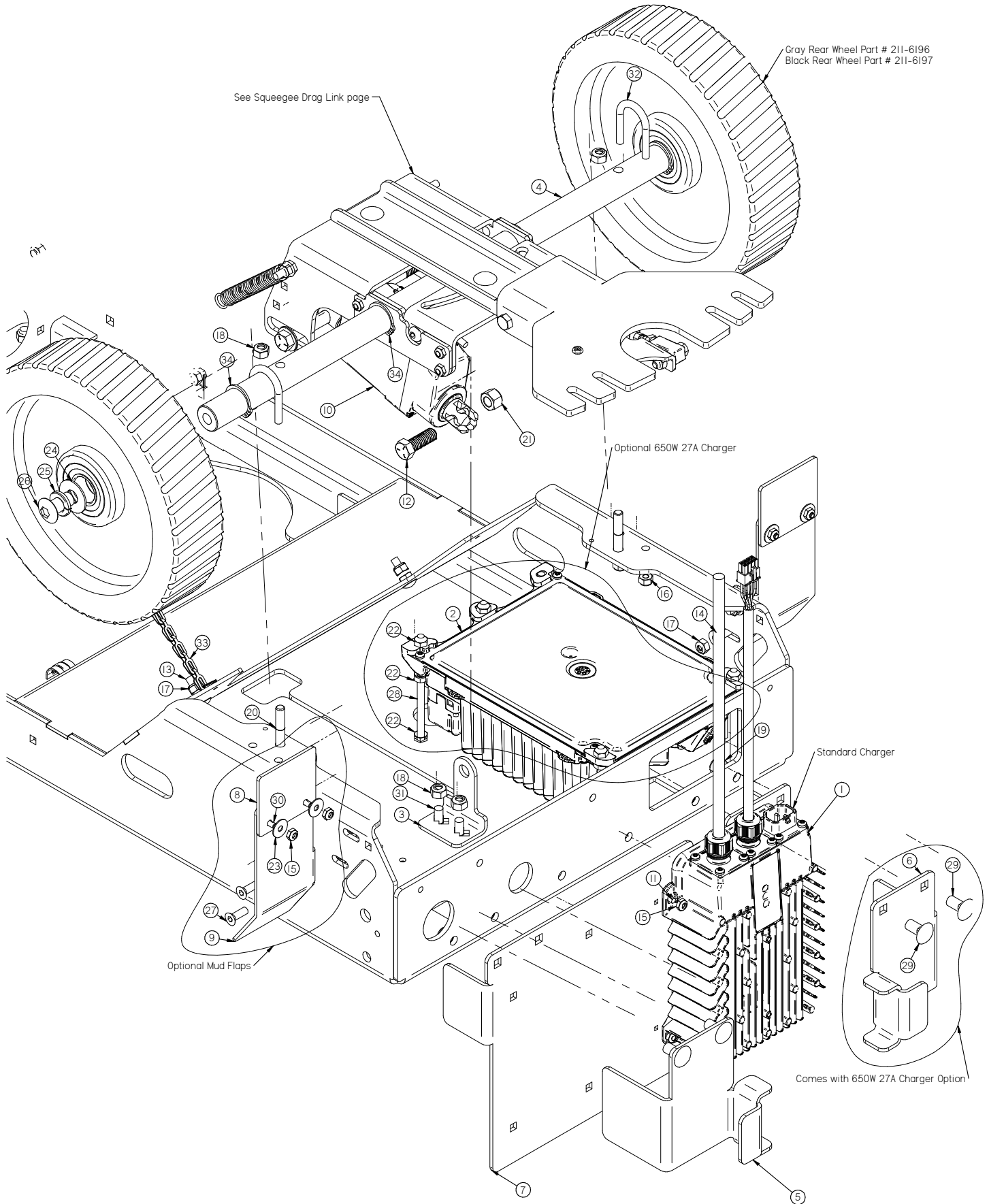
SQUEEGEE LINKAGE



To Order Assembly use Part # 211-7155

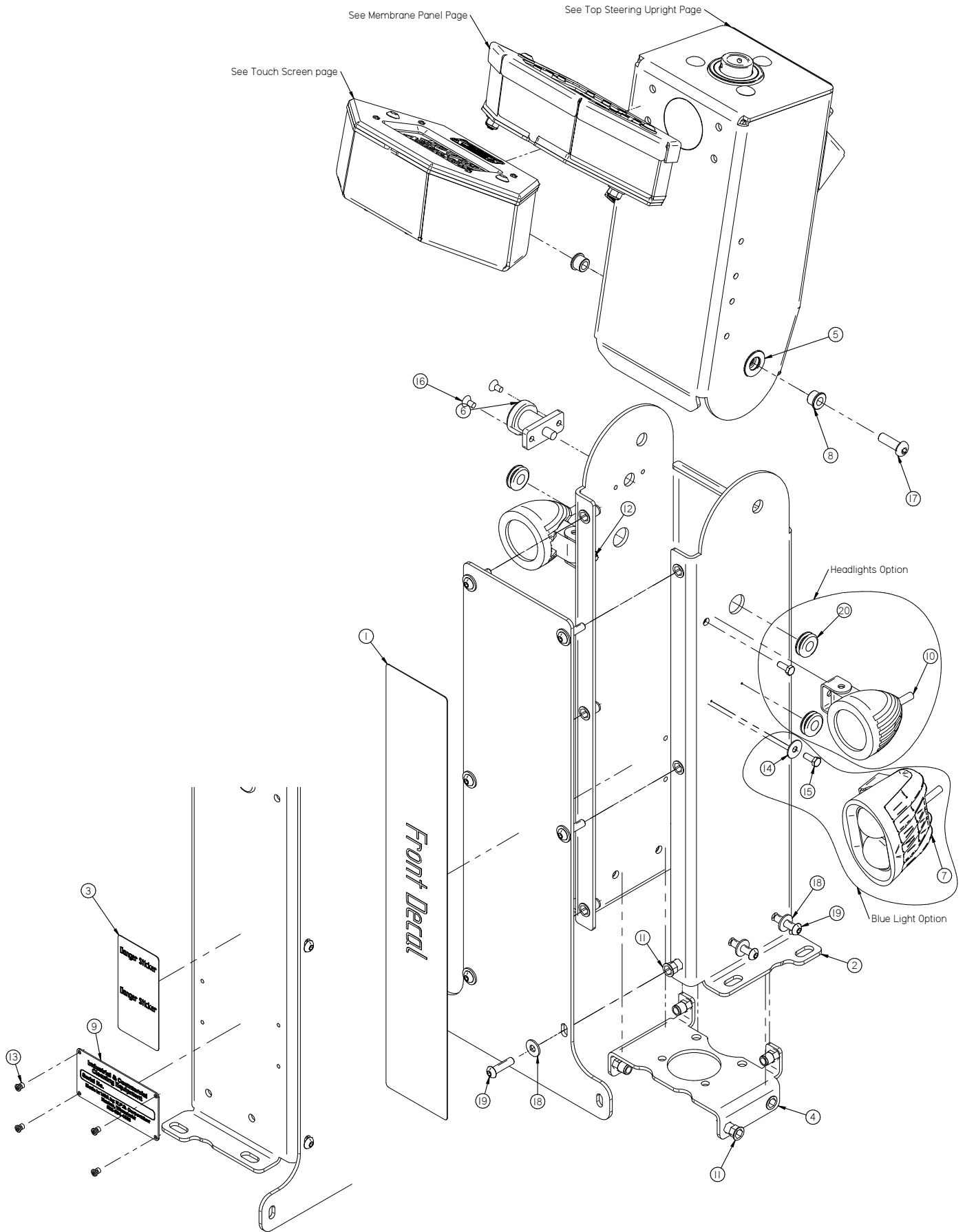
Item	Part No.	Part Description	Qty.
1	175-4180	YELLOW KNOB	1
2	175-8420	ADJUSTABLE LATERAL ARM BODY	1
3	175-9583	ADJUSTABLE ROD END (LH THREAD)	1
4	175-9584	ADJUSTABLE ROD END (RH TREAD)	1
5	211-7141	SMILE PLATE	1
6	211-7151	SQUEEGEE TRAIL ARM	1
7	211-7448	SMILE PLATE BUSHING	2
8	211-9800	2.5 LG X .5 OD x .075 Wire	1
9	260-0001	THREE IN ONE TOOL	1
10	600-7611	SQUEEGEE TRIANGLE PLATE	1
11	H-0172518	CB #10-32 X 1/2" SS	8
12	H-21155	CB 1/4"- 20 X 1.0" ZINK	3
13	H-36904	LH JN 5/16"- 18 SS	1
14	H-37015	NYLOK #10-32 ZINC	8
15	H-37019	NYLOK 1/4"- 20 ZINC	4
16	H-37021	NYLOK 5/16" - 18 ZINC	2
17	H-4440024	FW 3/8" X 3/4" NYLON	4
18	H-70007	HCS 1/4"- 20 X 1.25" SS	2
19	H-70053	HCS 5/16"- 18 X 3/4" SS	2
20	H-70711	JN 5/16"- 18 SS	1
21	H-70860	NYLOK 1/4"- 20 SS	2
22	H-70861	NYLOK 5/16" - 18 SS	2
23	H-70862	NYLOK 3/8"-16 SS	2
24	H-70925	KN 1/4-20 S/S	4
25	H-71017	FW 3/8 ID X 7/8 OD SS	2
26	H-72534	PPH #10-32 X 3/4" S/S	1
27	H-73883	FHP 1/4"- 20 X 1" SS	1
28	H-74436	CB 3/8"- 16 X 1.0" SS	2
29	H-76061	FW 1/4" NYLON	2
30	H-94071	BHSCS 5/16-18 X 1 ZINK	2
31	H-96545	SPRING, 4-1/8" LG, 9/16 OD, (42E)	2

REAR AXLE & LINKAGE ASSEMBLY



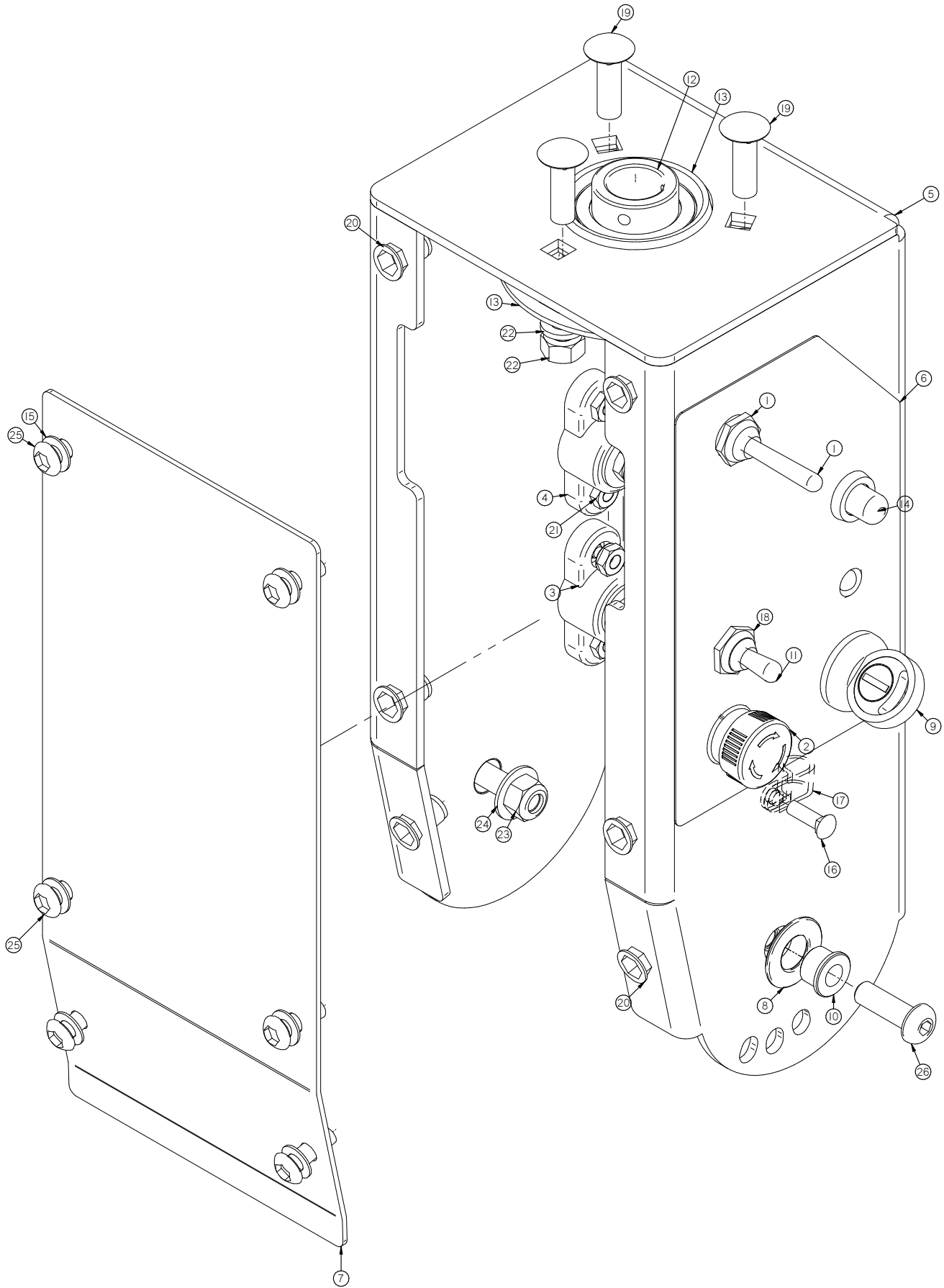
Item	Part No.	Part Description	Qty.
1	150-2460	CHARGER	1
2	175-2460	DELTAQ ON-BOARD CHARGER 24V 650W 27A	1
3	211-1006	SQUEEGEE LIFTING BRACKET	1
4	211-1272	AXLE	1
5	211-7435	RIGHT SIDE BATTERY STOP	1
6	211-7436	LEFT SIDE BATTERY STOP	1
7	211-9698	BACK CHARGER BRACKET	1
8	211-9721	Rear Wheel Mud Flap	1
9	211-9722	Right Side Rear Mud Flap	1
10	260-2240	2" STROKE ACTUATOR (24V 900Nm)	1
11	H-0172518	CB #10-32 X 1/2" ZINC	1
12	H-13157	HCS 7/16-14 X 1 1/4 IN ZINK	1
13	H-21155	CB 1/4"- 20 X 1.0" ZINK	2
14	H-33078	FW 1/4 ID X 5/8 OD ZINK	10
15	H-37015	NYLOK #10-32 ZINC	2
16	H-37018	NYLOK 1/4"-20	4
17	H-37019	NYLOK 1/4"- 20 ZINC	14
18	H-37021	NYLOK 5/16" - 18 ZINC	15
19	H-37025	NYLOK 3/8"-16 ZINK	5
20	H-70060	HCS 5/16"- 18 X 1-3/4" SS	1
21	H-70863	NYLOK 7/16"-14 SS	2
22	H-70925	KN 1/4-20 S/S	14
23	H-71010	FW #10 ID X 11/16 OD SS	1
24	H-71021	FW 1/2 ID X 1-1/4 OD SS	1
25	H-71071	LW 1/2" SS	1
26	H-73834	BHSCS 1/2- 13 X 1" SS	1
27	H-73882	FHSCS 1/4- 20 X 3/4" S/S	4
28	H-74428	CB 1/4"- 20 X 4.5" SS	4
29	H-74444	CB 3/8"- 16 X 3/4" SS	2
30	H-94040	BHSCS 10-32 X .50 ZINK	1
31	H-94254	FHSCS 5/16"- 18 X 3/4" ZINK	2
32	M-3043T13	1/4-20 X 1.0" U-BOLT	2
33	M-3608T24	6" GOLD GROUDING CHAIN	1
34	M-98585A121	1 INCH EXTERNAL RETAINING RING	2

STEERING UPRIGHT



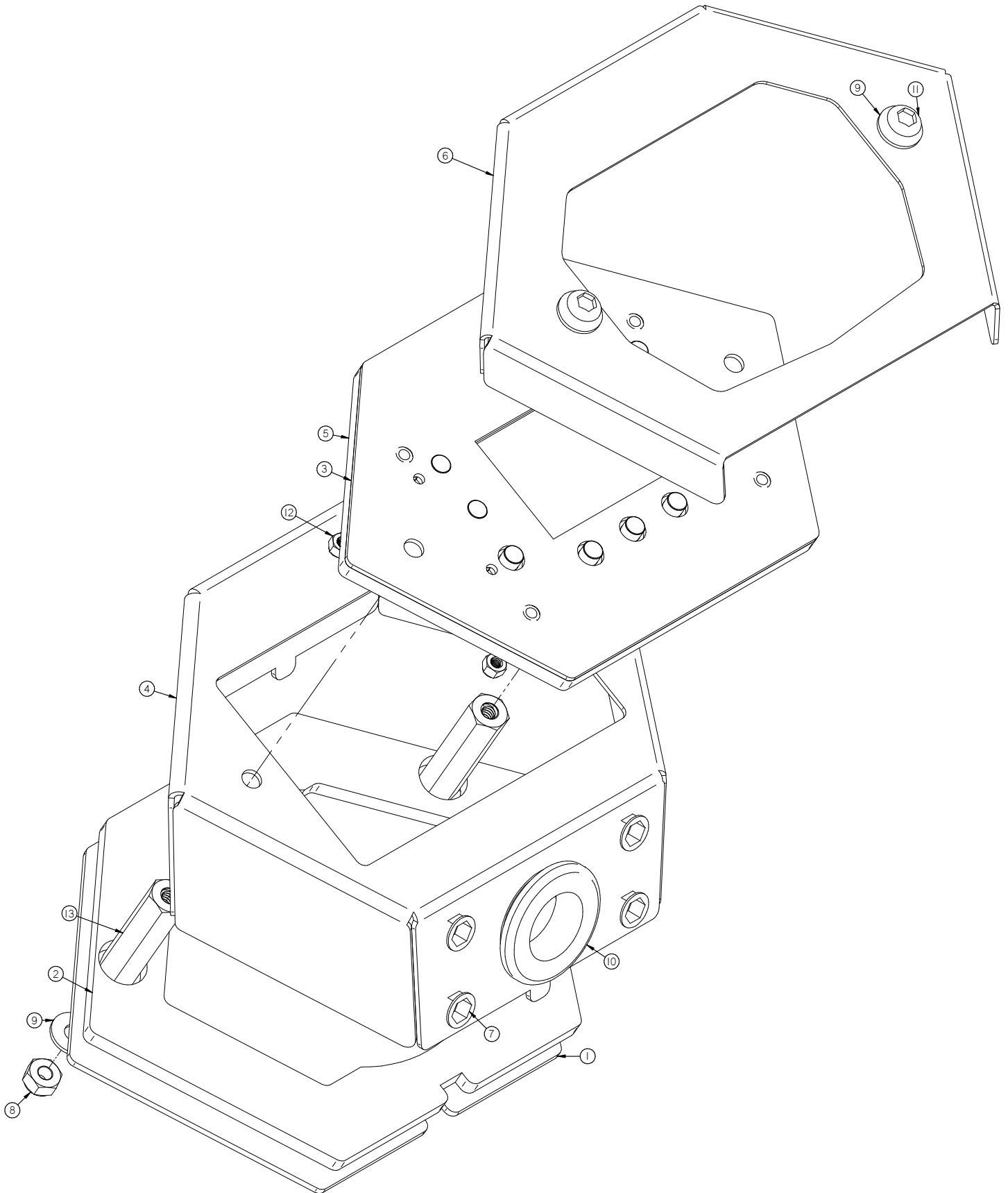
Item	Part No.	Part Description	Qty.
1	211-1502	Front Decal	1
2	211-1503	STEERING TOWER	1
3	211-2024	Danger Sticker	1
4	211-7423	Steering Support Plate	1
5	290-1247	BRONZE THRUST BEARING, .50" ID X 1.0" OD X 1/16" TH	1
6	290-7050	INDEX PLUNGER	1
7	349-2910	BLUE WARNING LIGHT	1
8	370-1245	BUSHING	1
9	4-101	SERIAL NUMBER PLATE	1
10	500-2910	HEAD LIGHT	1
11	H-250HCN	HCN 1/4"-20	14
12	H-37015	NYLOK #10-32 ZINC	3
13	H-41007	AB4-3A BLIND RIVET ALUMINUM	1
14	H-71010	FW #10 ID X 11/16 OD SS	1
15	H-71671	HXMS #10-32 X 1/2" SS	3
16	H-72681	FHP #10-32 X 3/8" SS	2
17	H-73780	BHSCS 5/16-18 X 1	1
18	H-76061	FW 1/4" NYLON	12
19	H-94053	BHSCS .25-20 X 1.00 ZINK	12
20	M-9307K23	GROMMET, 3/8 ID X 7/8 OD X 1/8 TH.	3

TOP STEERING UPRIGHT



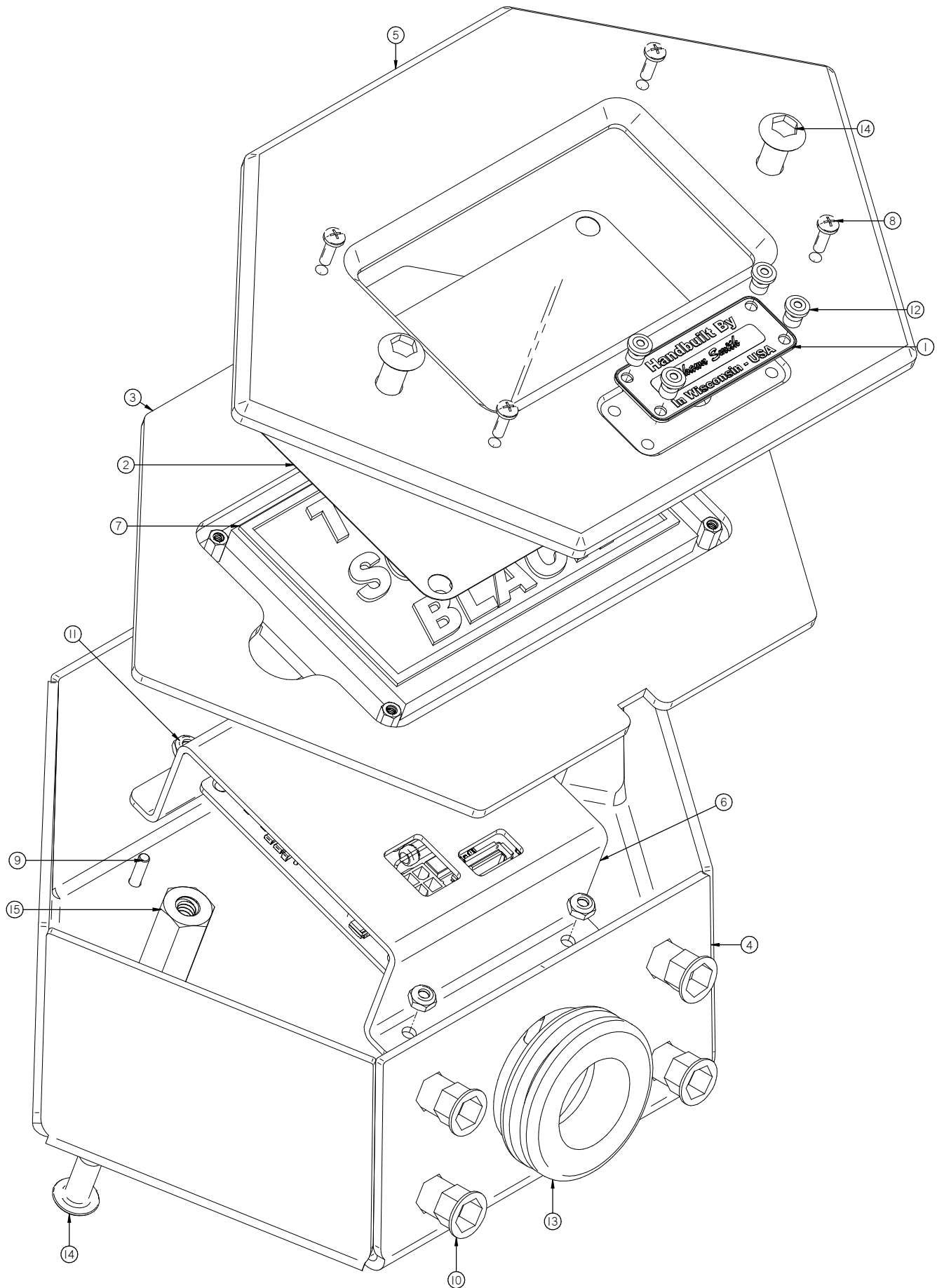
Item	Part No.	Part Description	Qty.
1	150-2830	SWITCH, TOGGLE, MOM/OFF/MOM (DPDT) With Wire Clips	1
2	175-0300	Emergency stop switch, 5I series, IC/O	1
3	175-2700	NEG INSULATOR POST (BLACK)	1
4	175-2710	POS INSULATOR POST (RED)	1
5	261-1501	UPPER STEERING TOWER	1
6	261-2020	TOWER DECAL	1
7	290-1172	COVER	1
8	290-1247	BRONZE THRUST BEARING, .50" ID X 1.0" OD X 1/16" TH	2
9	290-234	LOCK AND KEY	1
10	370-1245	BUSHING	2
11	370-8920	TOGGLE, ON-OFF SPST	2
12	4-352	BEARING	1
13	4-364A	FLANGE, 1.75" ID	2
14	8-294B	PUSH BUTTON SWITCH, SILVER	1
15	H-00282	FW 1/4" NYLON	6
16	H-0172519	CB #10-32 X 5/8" SS	1
17	H-02239	3/8" NYLON LOOP CLAMP	1
18	H-11200	PROTECTIVE BOOT, TOGGLE SWITCH, (BLACK)	1
19	H-21811	CB 5/16"- 18 X 1" ZINK	3
20	H-250HCN	HCN 1/4"-20	6
21	H-37408	KN #10-32 ZINK	1
22	H-70711	HN 5/16"- 18 SS	3
23	H-70861	NYLOK 5/16" - 18 SS	2
24	H-71015	FW 5/16 ID X 3/4 OD SS	1
25	H-73754	BHSCS 1/4 - 20 X 3/4" SS	6
26	H-73780	BHSCS 5/16-18 X 1	2

MEMBRAN DASH BOARD



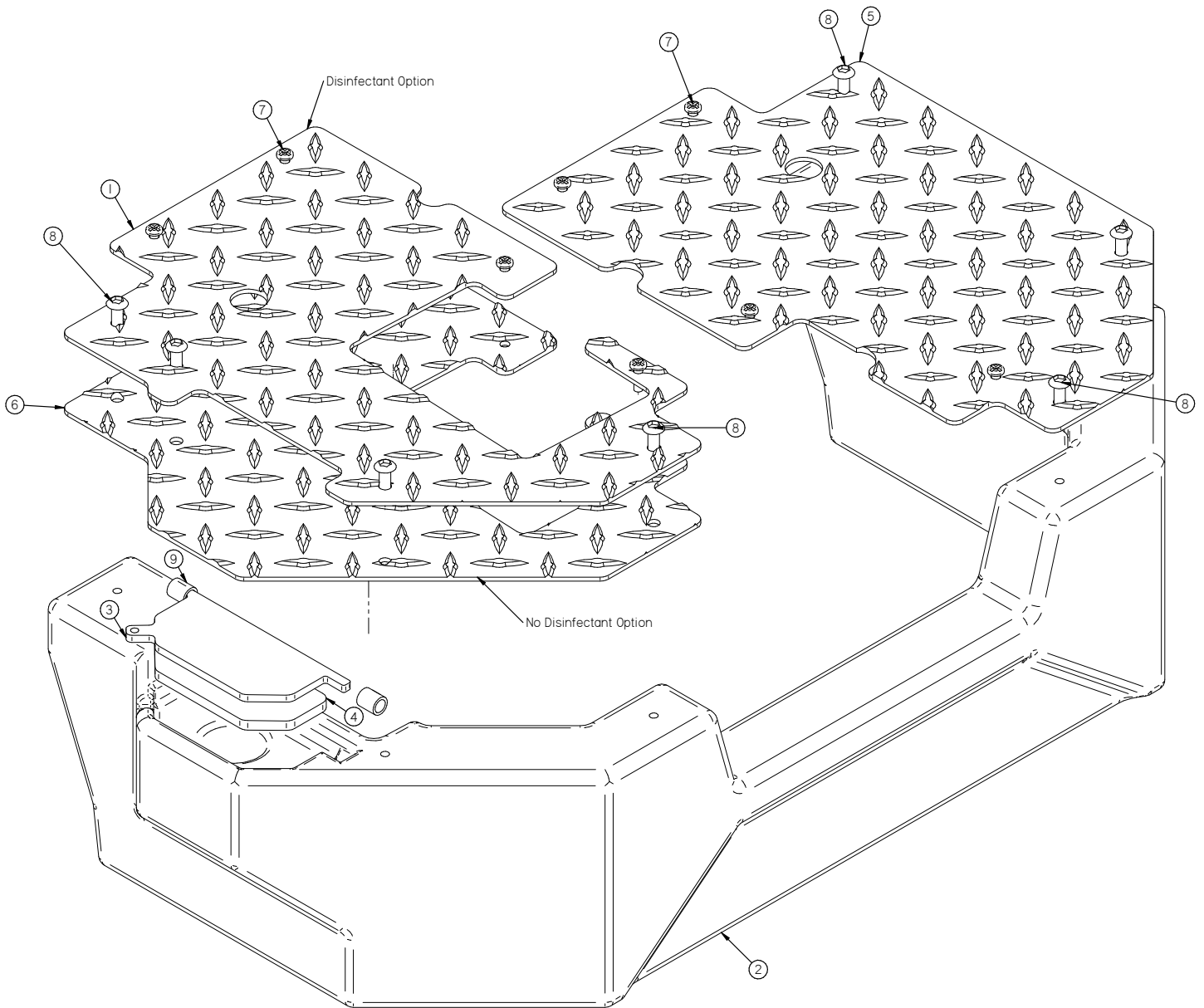
Item	Part No.	Part Description	Qty.
1	211-1505	DASH BOTTOM COVER SED Membrane	1
2	211-1507	Membrain Dash Gasket	1
3	211-2905	SED MEMBRAIN DASH	1
4	211-9102	FRONT DASH SED MEMBRANE	1
5	211-9689	TOP MEMBRAIN SCREEN GASKET	1
6	211-9715	DASH MEMBRANE COVER	1
7	H-250HCN	HCN 1/4"-20	4
8	H-37019	NYLOK 1/4" - 20 ZINC	2
9	H-76061	FW 1/4" NYLON	4
10	H-9307K74	GROMMET, 1" ID X 1-3/4" OD BUNA-N	1
11	H-94050	BHSCS 1/4 - 20 X 5/8" ZINK	2
12	M-90631A112	M4 Nylock ZINK	1
13	M-93620A199	1/4-20 2.0in Female-Male Standoff	2

TOUCH SCREEN DASH



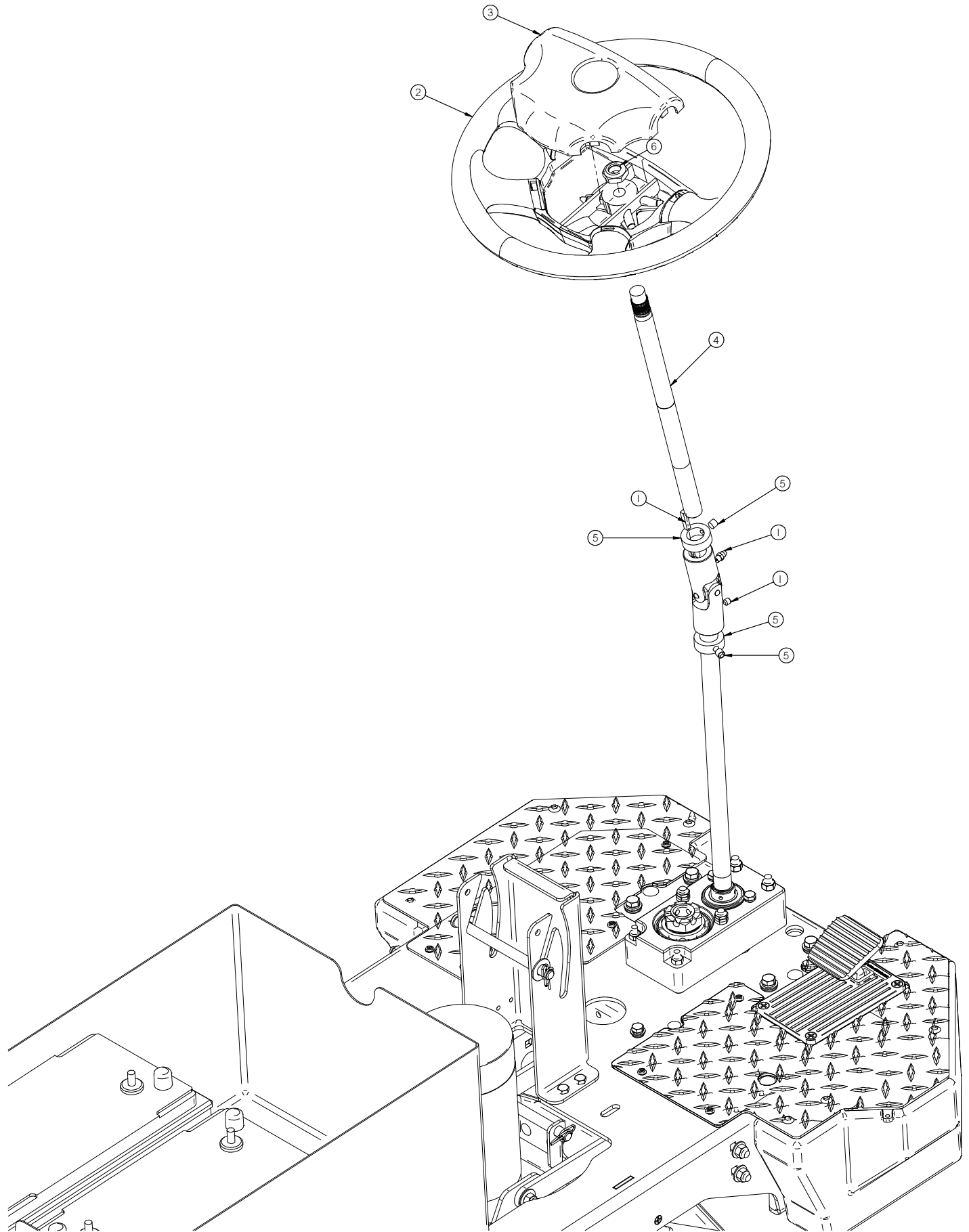
Item	Part No.	Part Description	Qty.
1	175-0101	BUILT BY PLATE	1
2	175-2024	TOUCH SCREEN PROTECTOR	1
3	261-1507	FRONT DASH GASKET	1
4	261-1513	TOUCH SCREEN TUGS DASH BASE	1
5	261-1514	FRONT TOUCH SCREEN DASH	1
6	264-2891	TOUCH SCREEN CONTROLER	1
7	264-2891	4 INCH TOUCH SCREEN (BLACK)	1
8	H-1128643	PPH #4-40 X .375 ZINK	4
9	H-1128655	PPH #4-40 X 1/2" ZINK	4
10	H-250HCN	HCN 1/4"-20	4
11	H-37006	NYLOK #4-40 ZINK	4
12	H-41007	AB4-3A BLIND RIVET ALUMINUM	4
13	H-9307K74	GROMMET, 1" ID X 1-3/4" OD BUNA-N	1
14	H-94050	BHSCS 1/4 - 20 X 5/8" ZINK	4
15	M-92230A340	1/4-20 x 2.5in - Female Standoff ZINK	2

FRONT TANK ASSEMBLY



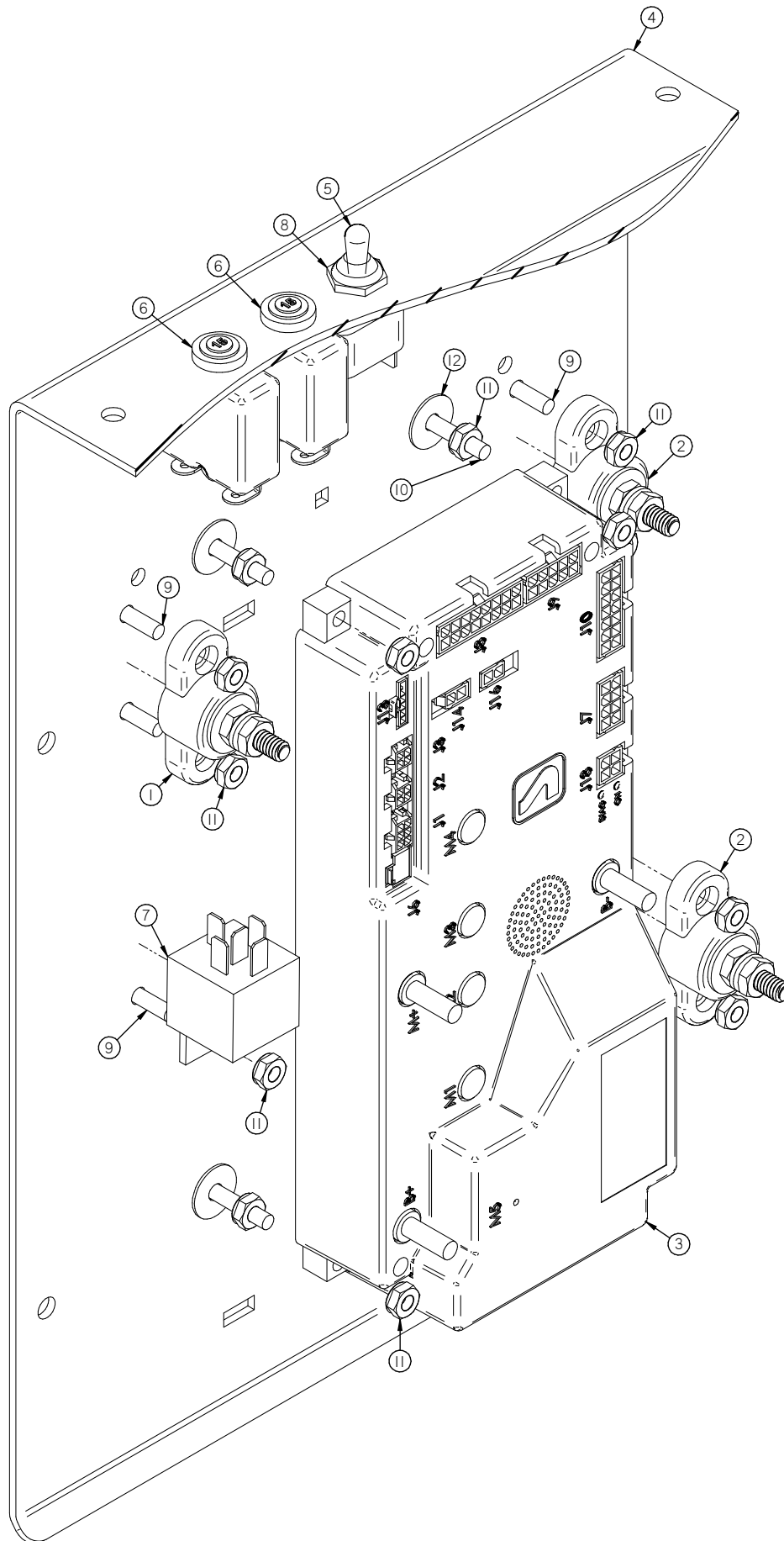
Item	Part No.	Part Description	Qty.
1	211-1918	FOOT PLATE WITH DISINFECTANT	1
2	211-4030	FRONT SUDS TANK	1
3	211-7441	FRONT TANK LID	1
4	211-7442	FRONT TANK LID FOAM GASKET	1
5	211-9123	FOOT PLATE LEFT SIDE	1
6	211-9124	FOOT PLATE WITHOUT DISINFECTANT	1
7	H-29055	PPH #10-32 X 5/8" ZINC	8
8	H-94050	BHSCS 1/4 - 20 X 5/8" ZINC	7
9	M-639K163	7/16 OD X 5/16 X 1/2 SLEVE	2

STEERING SHAFT ASSEMBLY



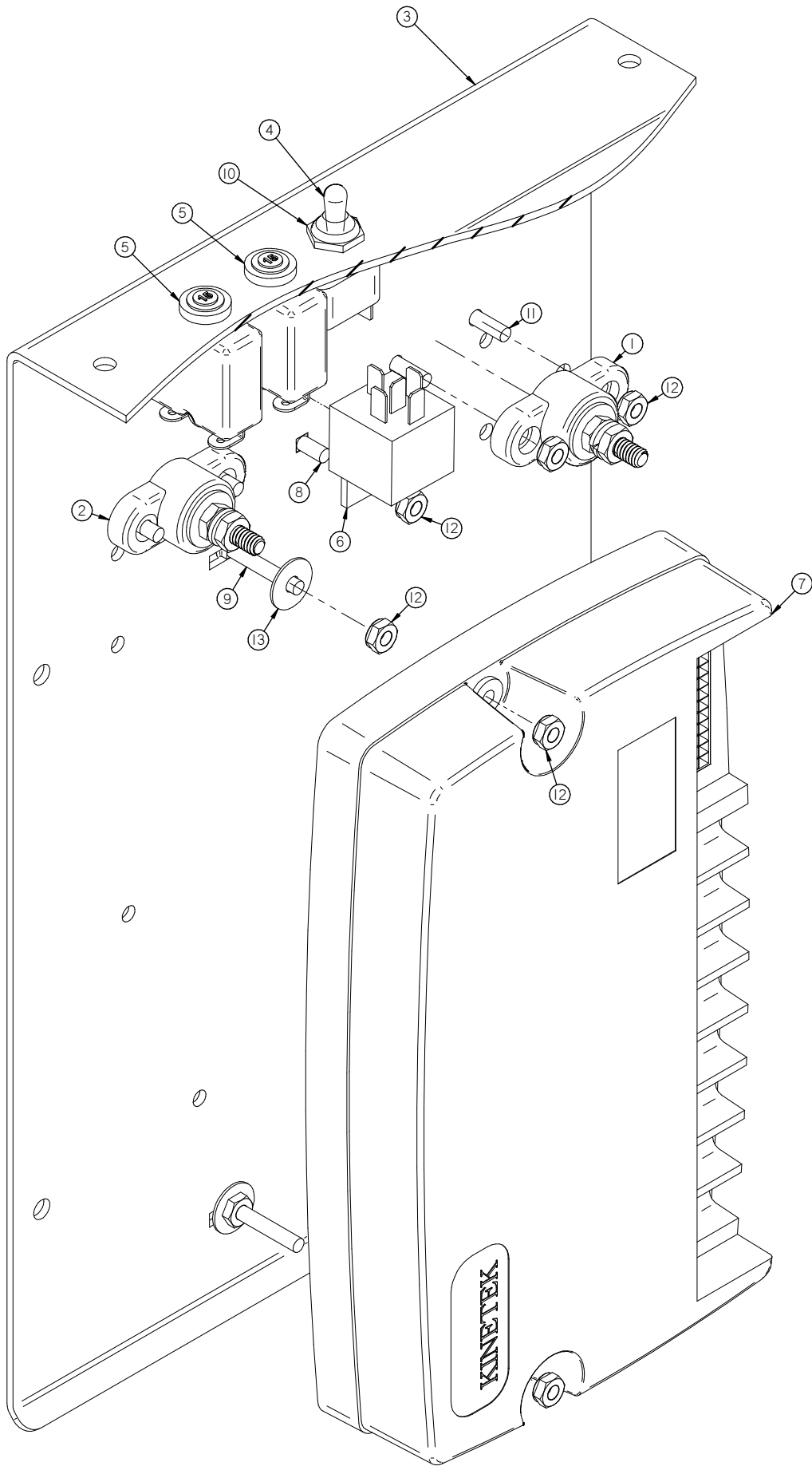
Item	Part No.	Part Description	Qty.
1	290-7110	U-JOINT	1
2	650-7030	STEERING WHEEL	1
3	650-7031	STEERING WHEEL COVER	1
4	650-7090	STEERING SHAFT, UPPER	1
5	H-33376	.75 ID SHAFT COLLAR WITH SET SCREW	2
6	H-37038	JNYL 5/8" - 11	1

CENTRAL COMMAND PANNEL



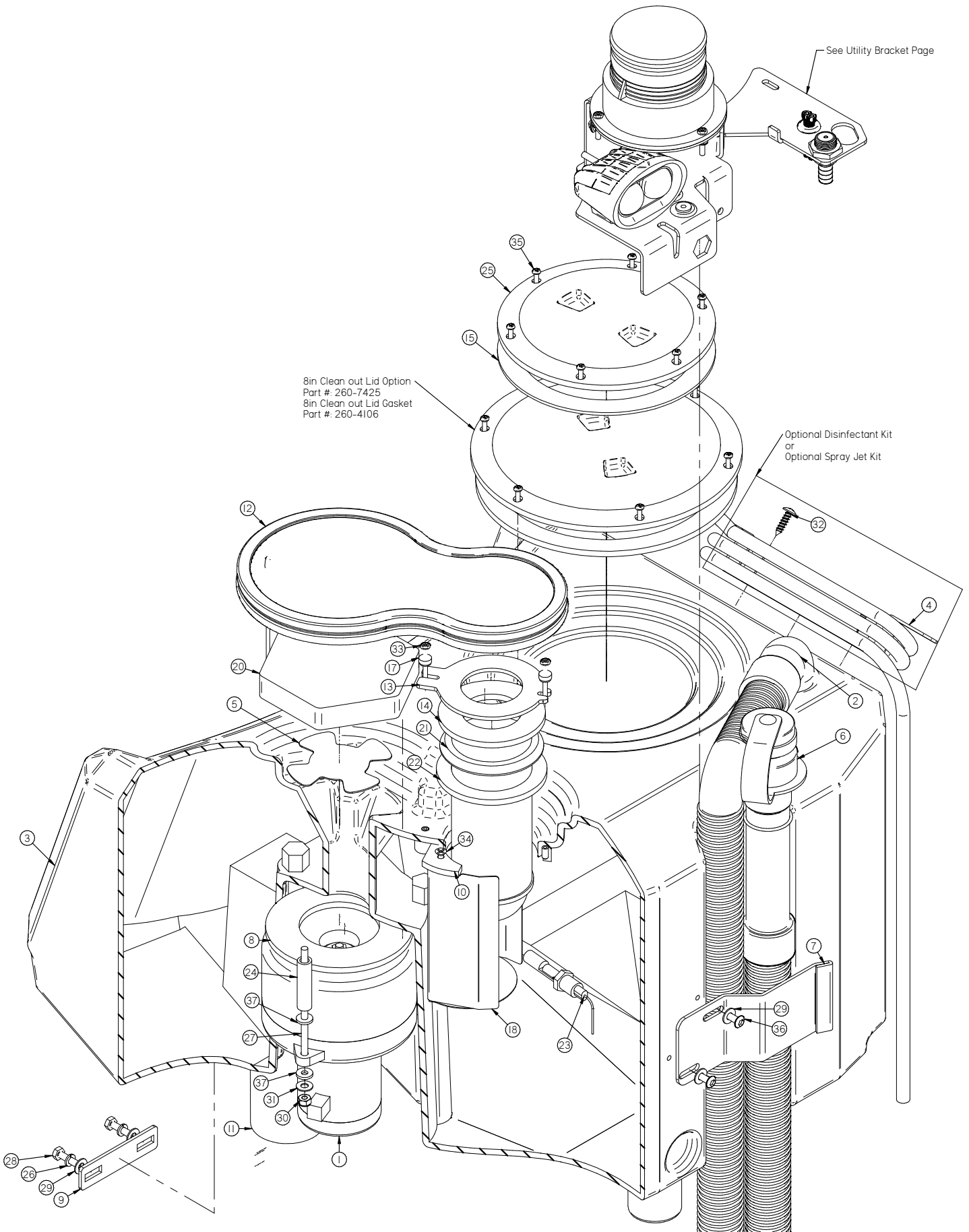
Item	Part No.	Part Description	Qty.
1	175-2700	NEG INSULATOR POST (BLACK)	1
2	175-2710	POS INSULATOR POST (RED)	2
3	211-2900	SED Orion RG	1
4	211-9105	TOUCH SCREEN CC	1
5	370-8920	TOGGLE, ON-OFF SPST	1
6	390-9615	FUSE, RESETTABLE, 15 AMP, 50V DC MAX	2
7	5-293	24V 15 AMP RELAY	2
8	H-11200	PROTECTIVE BOOT, TOGGLE SWITCH, (BLACK)	1
9	H-29055	PPH #10-32 X 5/8" ZINC	11
10	H-29073	PPH #10-32 X 1" ZINK	4
11	H-37408	KN #10-32 ZINK	24
12	H-71010	FW #10 ID X 11/16 OD SS	6

TOUCH SCREEN CENTRAL COMMAND



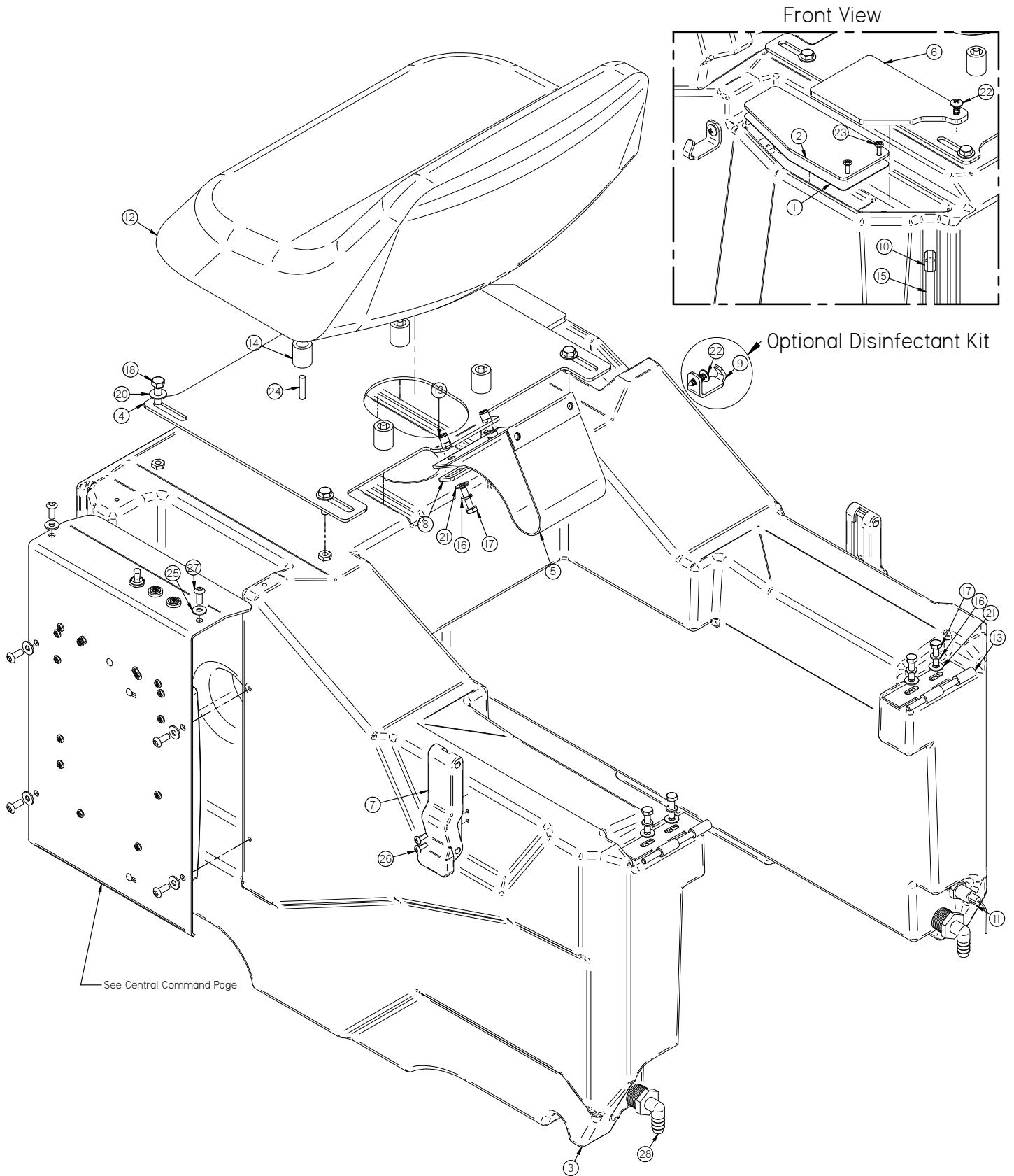
Item	Part No.	Part Description	Qty.
1	175-2700	NEG INSULATOR POST (BLACK)	1
2	175-2710	POS INSULATOR POST (RED)	1
3	211-9105	TOUCH SCREEN CC	1
4	370-8920	TOGGLE, ON-OFF SPST	1
5	390-9615	FUSE, RESETTABLE, 15 AMP, 50V DC MAX	2
6	5-293	24V 15 AMP RELAY	2
7	650-2890	KINETECK TOUCH SCREEN CONTROLER	1
8	H-0172518	CB #10-32 X 1/2" SS	1
9	H-0172522	CB #10-32 X 1-1/4" ZINK	2
10	H-11200	PROTECTIVE BOOT, TOGGLE SWITCH, (BLACK)	1
11	H-29055	PPH #10-32 X 5/8" ZINC	11
12	H-37408	KN #10-32 ZINK	24
13	H-71010	FW #10 ID X 11/16 OD SS	6

RECOVERY TANK ASSEMBLY



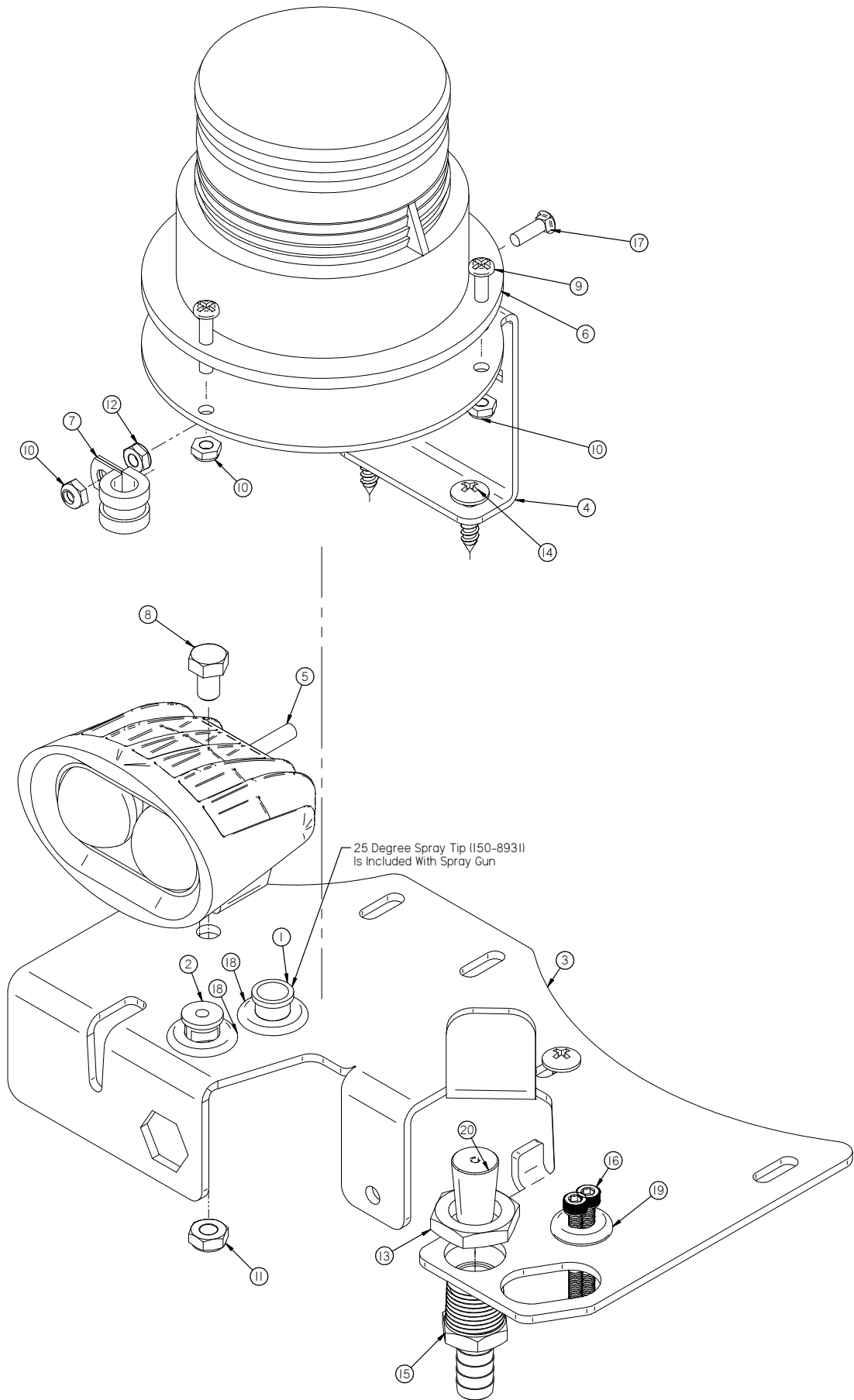
Item	Part No.	Part Description	Qty.
1	190-5250	VAC MOTOR, 3/4 HP, TANGENTAL	1
2	211-0118	SQUEEGEE HOSE (50')	1
3	211-4034	RECOVERY TANK	1
4	211-4042	HOSE WRAP	1
5	211-4081	VAC SCREEN	1
6	211-7210	RECOVERY DRAIN HOSE	1
7	211-7427	BACK HOSE BRACKET	1
8	211-9723	Vac Motor Gasket	1
9	253-1040	TANK STRAP SUPPORT	1
10	260-1133	TANK GASKET	1
11	260-2502	VAC MUFFLER	1
12	260-4052	REC TANK VAC COVER, GASKET & LANYARD	1
13	260-4080	BALL FLOAT TOP	1
14	260-4103	BALL FLOAT GASKET	1
15	260-4105	6 INCH LID GASKET	1
16	260-4106	8 INCH LID GASKET	1
17	260-4180	8-32 THUMB NUT	2
18	260-7000	BAFFLE	1
19	260-7425	TANK SCREW ON LID 10"	1
20	264-4086	VAC BOX FILTER	1
21	264-9111	SCREEN STRAINER	1
22	38-738	STRAINER GASKET	1
23	5-226	FLOAT SWITCH	1
24	650-2600	SPACER, 2-1/8" LG	1
25	7-425	TANK 6" SCREW ON LID	1
26	H-0157797	LW 1/4" ZINK	1
27	H-10330725	1/4-20 X 5.0" THRD STUD ZINK	1
28	H-13005	HCS 1/4"- 20 X 1" ZINK	1
29	H-33078	FW 1/4 ID X 5/8 OD ZINK	4
30	H-70860	NYLOK 1/4"- 20 SS	1
31	H-71013	FW 1/4 ID X 5/8 OD SS	1
32	H-71894	#14 X 1" SELF TAPPING SCREW SS	1
33	H-72419	PPH #8-32 X 1-1/4" S/S	2
34	H-72685	FHP 10-32 X 1" SS	2
35	H-72916	PPH SMS #8 X 3/4" SS	1
36	H-94050	BHSCS 1/4 - 20 X 5/8" ZINK	2
37	M-90130A029	.25" NEOPRENE WASHER	2

SOLUTION TANK ASSEMBLY



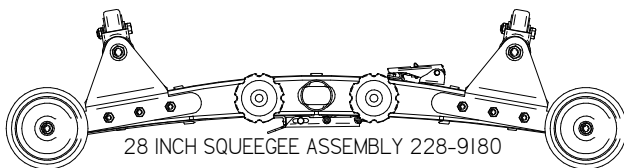
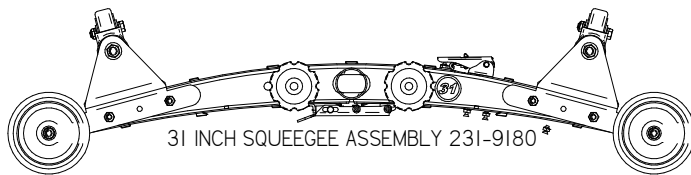
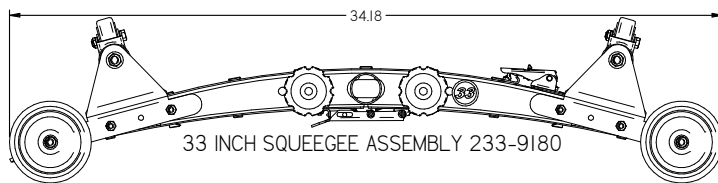
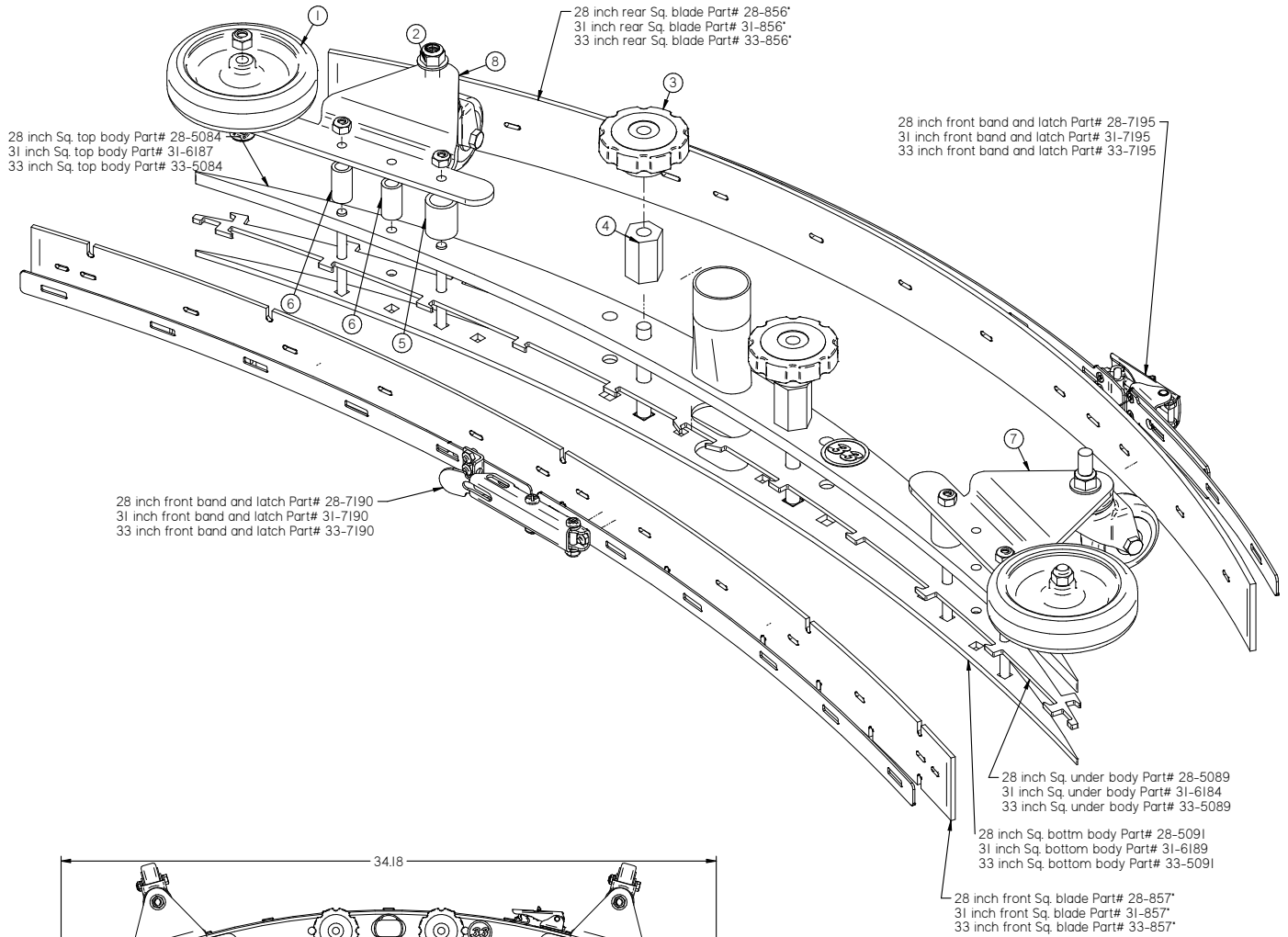
Item	Part No.	Part Description	Qty.
1	211-1129	SOLUTION FILL SCREEN SHORT	1
2	211-1131	SOLUTION FILL CURTIAN SHORT	1
3	211-4029	Solution Tank	1
4	211-7424	SEAT SLIDE BRAKET	1
5	211-9125	TANK STRAP, 16" LG X 4" WIDE	1
6	211-9725	SOLUTION FILL TOP LID HALF	1
7	250-1240	LATCH	1
8	253-1040	TANK STRAP SUPPORT	1
9	253-9491	HOOK	1
10	290-4149	1/4" NPT X 1/4" BARB X 90 DEG	1
11	5-226	FLOAT SWITCH	1
12	500-1430	SMALL SEAT	1
13	600-1220	4" SS HINGE	1
14	700-0011	CYLINDRICAL ACTUATOR SPACER	4
15	B-033	Clear PVC Hose 1/4 ID 1/2 OD	1
16	H-0157797	LW 1/4" ZINK	10
17	H-13005	HCS 1/4"- 20 X 1" ZINK	10
18	H-13055	HCS 5/16"- 18 X 1" ZINK	4
19	H-250HCN	HCN 1/4"-20	2
20	H-33006	FW 5/16 ID X 3/4 OD ZINC	4
21	H-33078	FW 1/4 ID X 5/8 OD ZINK	10
22	H-71894	#14 X 1" SELF TAPPING SCREW SS	2
23	H-72398	PPH #8-32 X 1/2" S/S	1
24	H-72712	FHP 1/4"- 20 X 1-1/4" SS	4
25	H-76061	FW 1/4" NYLON	6
26	H-94040	BHSCS 10-32 X .50 ZINK	1
27	H-94050	BHSCS 1/4 - 20 X 5/8" ZINK	6
28	M-5463K516	ELBOW, NYLON, 3/4" MALE NPT X 1/2" BARB	2

TANK UTILITY BRACKET



Item	Part No.	Part Description	Qty.
1	150-8930	0 Degree Spray Tip	1
2	150-8932	40 Degree Spray Tip	1
3	211-9127	REAR TANK BRACKET	1
4	211-9709	Strobe Light Bracket	1
5	349-2910	BLUE WARNING LIGHT	1
6	8-293	STROBE LIGHT	1
7	H-0127290	1/2" LOOP CLAMP	1
8	H-13051	HCS 5/16"- 18 X 1/2" ZINK	1
9	H-29073	PPH #10-32 X 1" ZINK	3
10	H-37015	NYLOK #10-32 ZINC	4
11	H-37023	JNYL 5/16"- 18 ZINK	1
12	H-37408	KN #10-32 ZINK	1
13	H-68600	1/2" NPT BRASS NUT	1
14	H-71894	#14 X 1" SELF TAPPING SCREW SS	3
15	M-5346K25	1/2 NPT X 1/2 BRASS BARBED HOSE FITTING	1
16	M-91290A197	SHCS M5 x 45mm	2
17	M-92356A257	CB #10-32 X 5/8" ZINC	1
18	M-9307K22	GROMMET, RUBBER 3/8 ID X 7/8 OD X 5/16 TH.	2
19	M-9307K23	GROMMET .625 DIAMETER HOLE .125 THICK PANEL	1
20	M-9545K114	17/32" to 39/64" ID Hole Plug	1

L= Linatex
 U= Urethane
 N= Nanorade

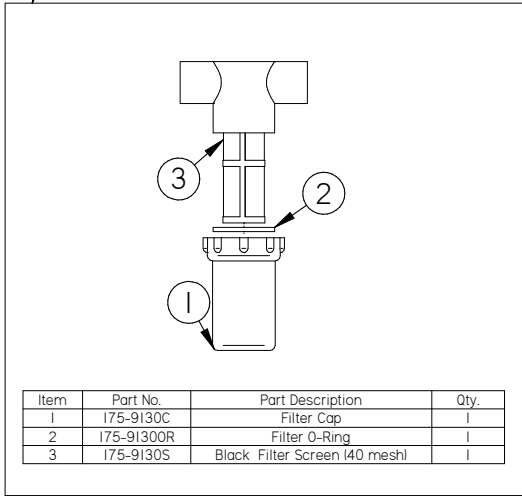


Item	Part No.	Part Description	Qty.
1	150-7600	4" SIDE WHEEL (GREY)	2
2	253-7570	CASTER	2
3	260-5786	STAR KNOB, 3/8-16 THREAD	1
4	35-8460	STANDOFF, 1.5"	2
5	37-0007	SQUEEGEE ROLLER SPACER	1
6	37-0008	SQUEEGEE ROLLER SPACER	2
7	45-7183	SQUEEGEE CASTER BRACKET (LH)	1
8	45-7184	SQUEEGEE CASTER BRACKET (RH)	1

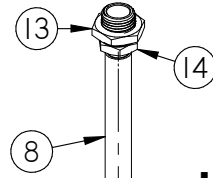
*L= Linatex U= Urethane N= Nanorade

SOLUTION SYSTEM

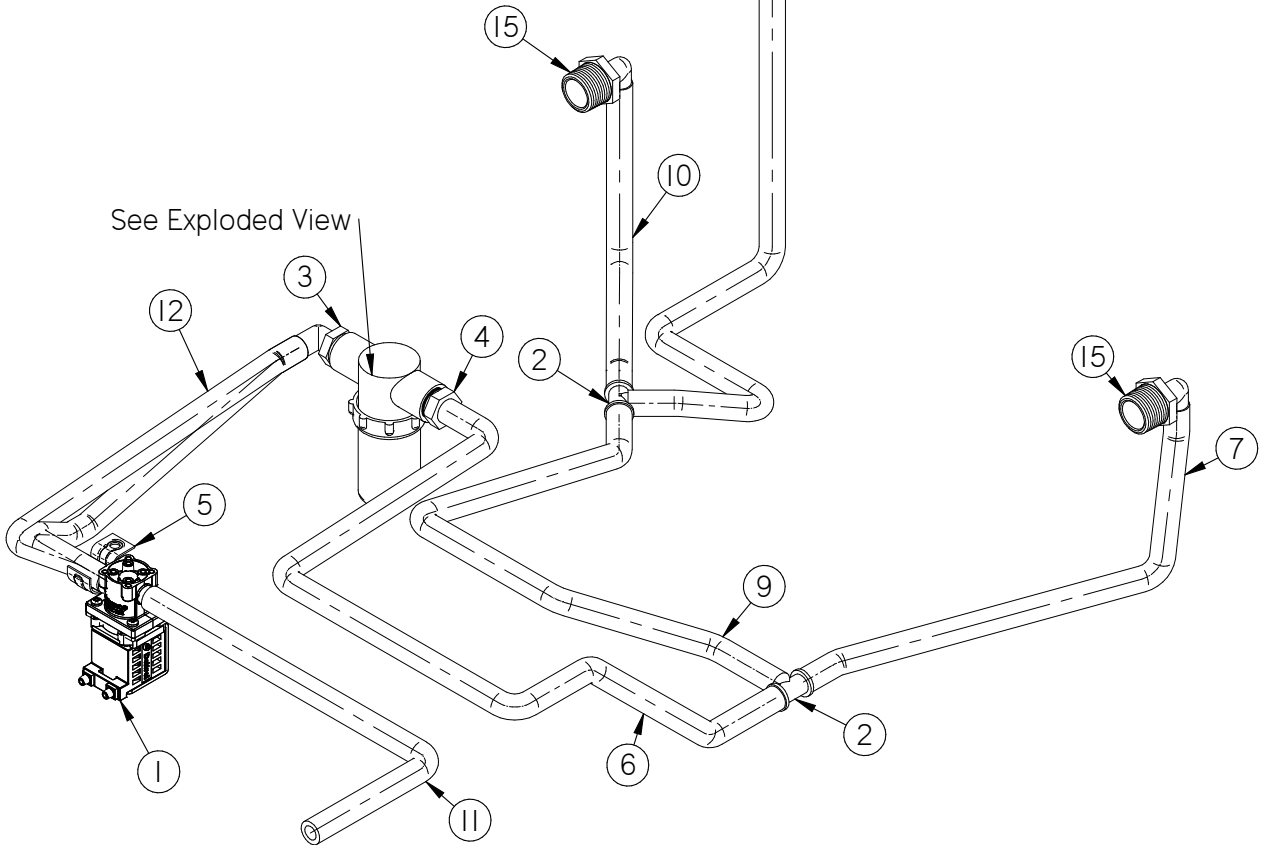
To Order Whole Assembly Use
Part #: 175-9130



Item	Part No.	Part Description	Qty.
1	175-9130C	Filter Cap	1
2	175-91300R	Filter O-Ring	1
3	175-9130S	Black Filter Screen (40 mesh)	1



Hose sold by the foot

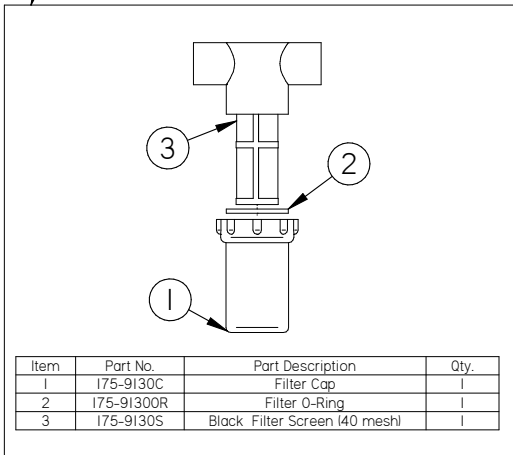


See Exploded View

Item	Part No.	Part Description	Qty.
1	175-4500	DETROL VALVE	1
2	5-446	1/2 " PLASTIC BARB TEE	2
3	5-447	1/2 NPT X 1/2" BARB ELBOW	1
4	H-04788	.50 NPT X .50 BARB	3
5	H-0701891	.75 DIA One Hole Tube Clamp	1
6	H-53933	Hose,1/2"ID,PVC Reinforced Bulk	1
7	H-53933	Hose,1/2"ID,PVC Reinforced Bulk	1
8	H-53933	Hose,1/2"ID,PVC Reinforced Bulk	1
9	H-53933	Hose,1/2"ID,PVC Reinforced Bulk	1
10	H-53933	Hose,1/2"ID,PVC Reinforced Bulk	1
11	H-53933	Hose,1/2"ID,PVC Reinforced Bulk	1
12	H-53933	Hose,1/2"ID,PVC Reinforced Bulk	1
13	H-68600	1/2" NPT BRASS NUT	1
14	M-5346K25	1/2 NPT X 1/2 BRASS BARBED HOSE FITTING	1
15	M-5463K516	ELBOW, NYLON, 3/4" MALE NPT X 1/2" BARB	2

SOLUTION SYSTEM + SPRAY JET

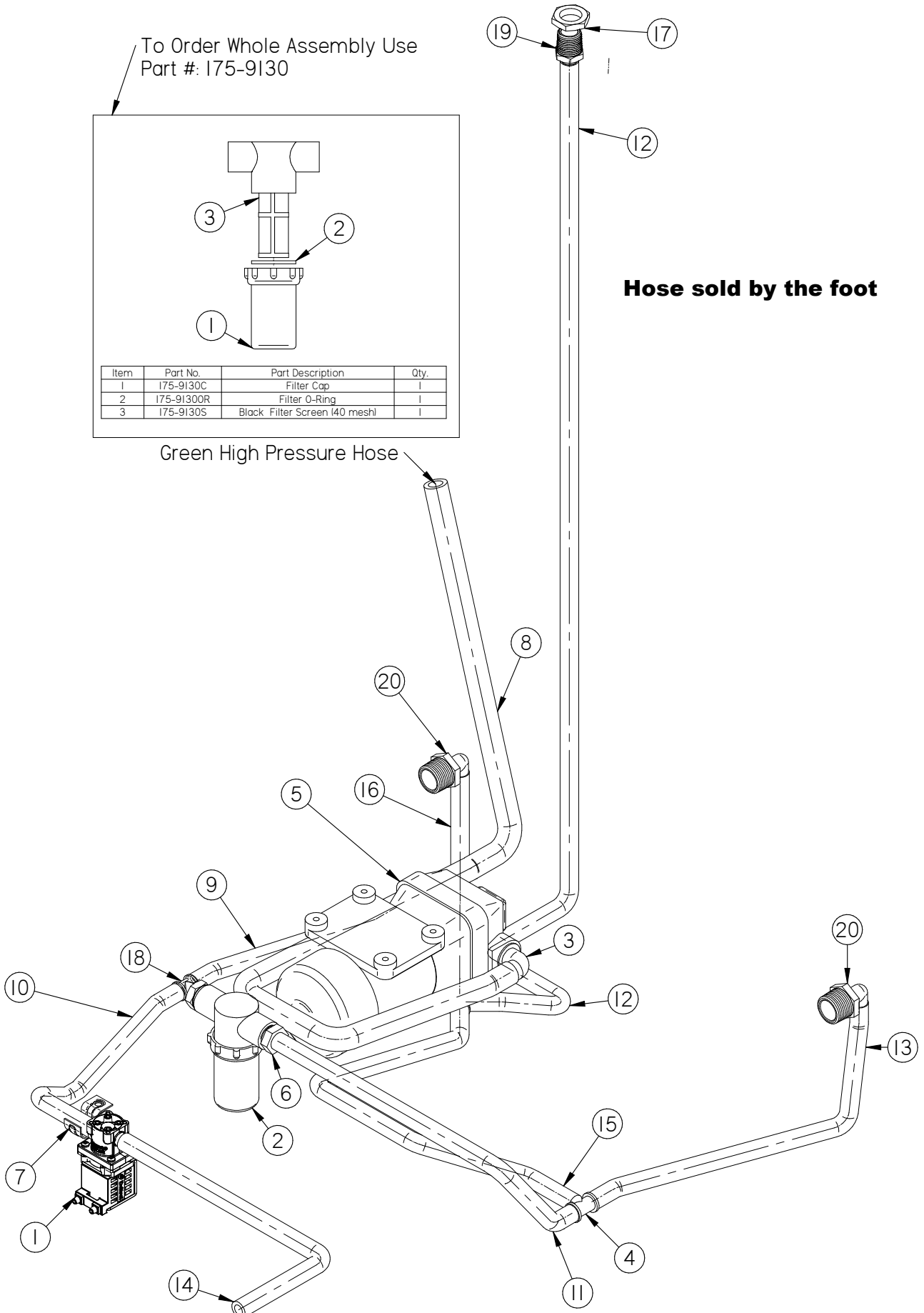
To Order Whole Assembly Use
Part #: 175-9130



Item	Part No.	Part Description	Qty.
1	175-9130C	Filter Cap	1
2	175-91300R	Filter O-Ring	1
3	175-9130S	Black Filter Screen (40 mesh)	1

Green High Pressure Hose

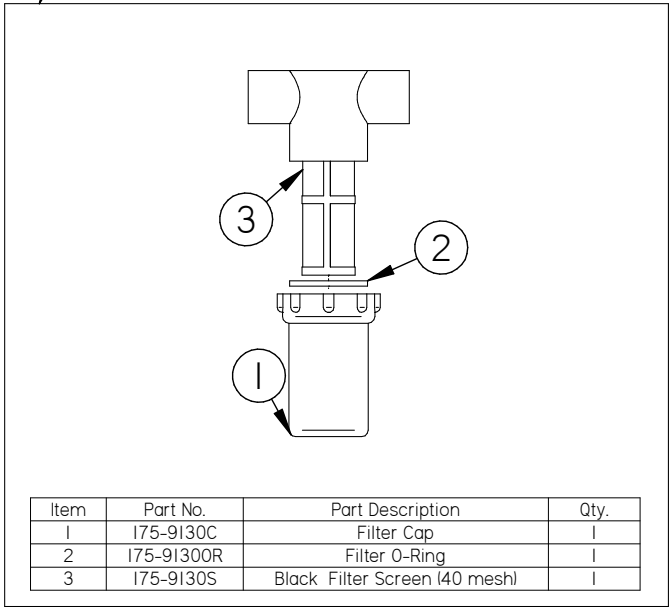
Hose sold by the foot



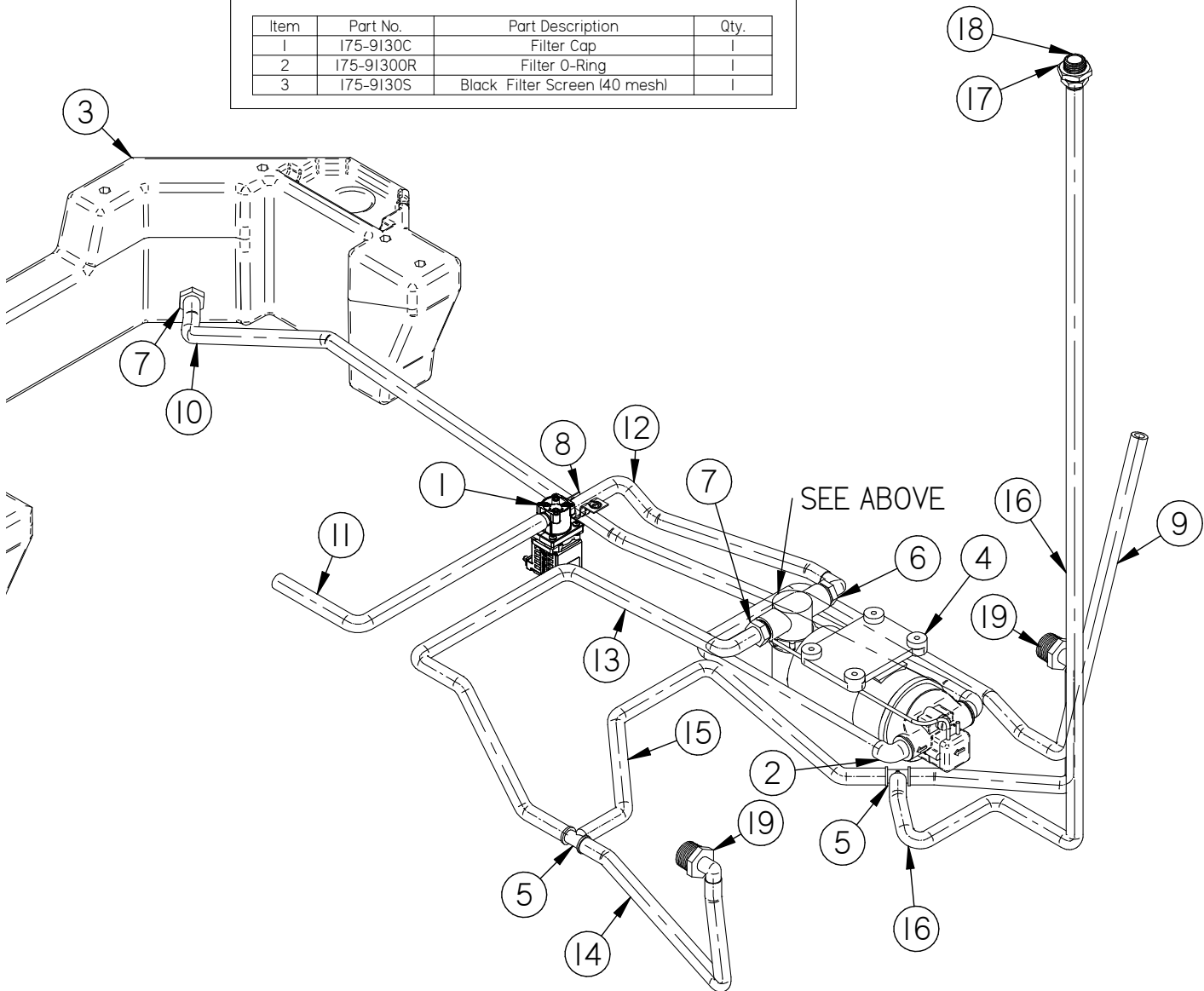
Item	Part No.	Part Description	Qty.
1	175-4500	DETROL VALVE	1
2	175-9130	INLINE FILTER	1
3	21-1601	1/2" BARBED ELBOW (PLASTIC)	1
4	5-446	1/2 " PLASTIC BARB TEE	2
5	5-891	PUMP, WATER JET	1
6	H-04788	.50 NPT X .50 BARB	3
7	H-0701891	.75 DIA One Hole Tube Clamp	1
8	H-53933	Hose,1/2"ID,PVC Reinforced Bulk	1
9	H-53933	Hose,1/2"ID,PVC Reinforced Bulk	1
10	H-53933	Hose,1/2"ID,PVC Reinforced Bulk	1
11	H-53933	Hose,1/2"ID,PVC Reinforced Bulk	1
12	H-53933	Hose,1/2"ID,PVC Reinforced Bulk	1
13	H-53933	Hose,1/2"ID,PVC Reinforced Bulk	1
14	H-53933	Hose,1/2"ID,PVC Reinforced Bulk	1
15	H-53933	Hose,1/2"ID,PVC Reinforced Bulk	1
16	H-53933	Hose,1/2"ID,PVC Reinforced Bulk	1
17	H-68600	1/2" NPT BRASS NUT	1
18	H-925072329	Plastic, Inline Tee, for .5 Tube ID x .5 NPT Male,par	1
19	M-5346K25	1/2 NPT X 1/2 BRASS BARBED HOSE FITTING	1
20	M-5463K516	ELBOW, NYLON, 3/4" MALE NPT X 1/2" BARB	2

SOLUTION SYSTEM + DISINFECTANT ROUTING

To Order Whole Assembly Use
Part #: 175-9130

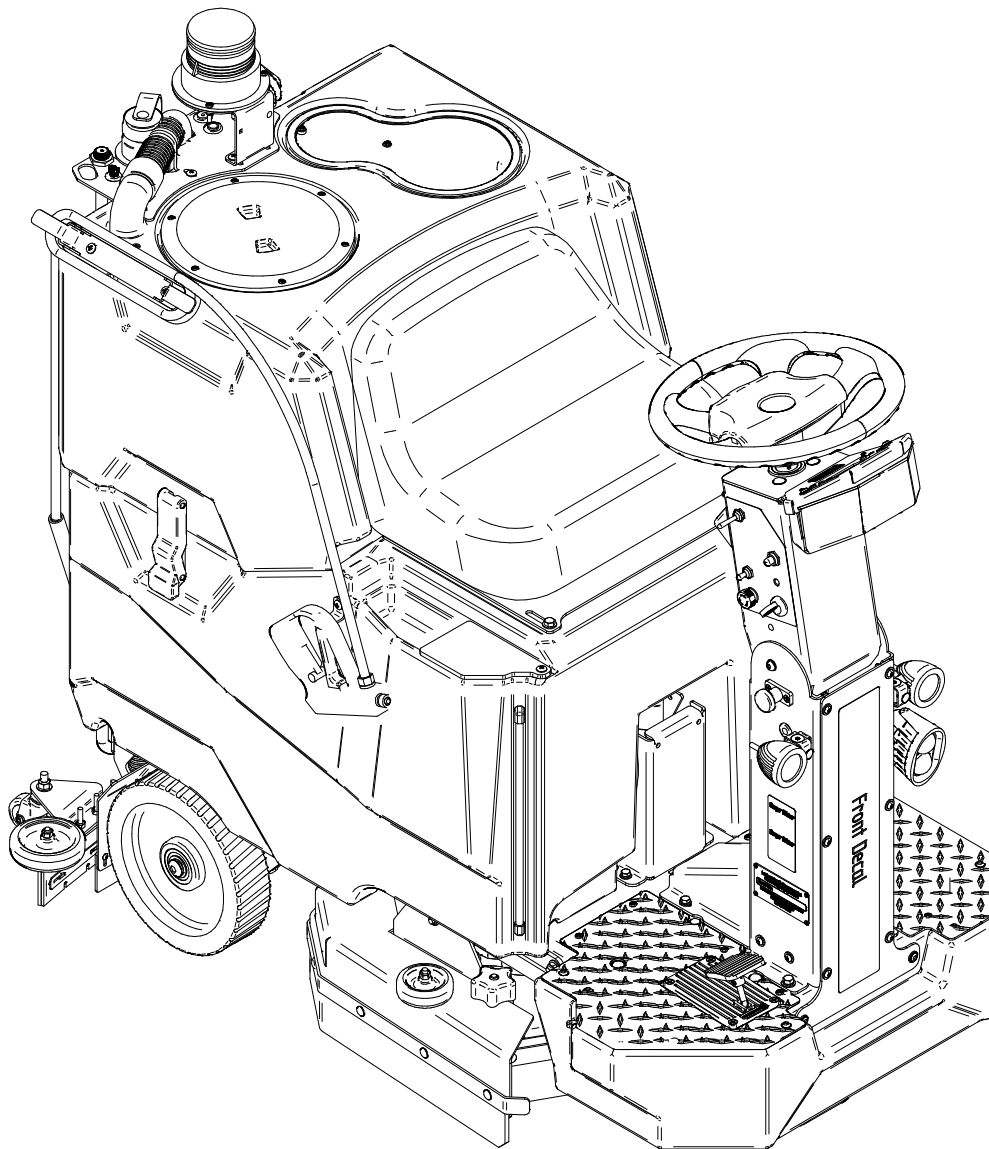


Hose sold by the foot



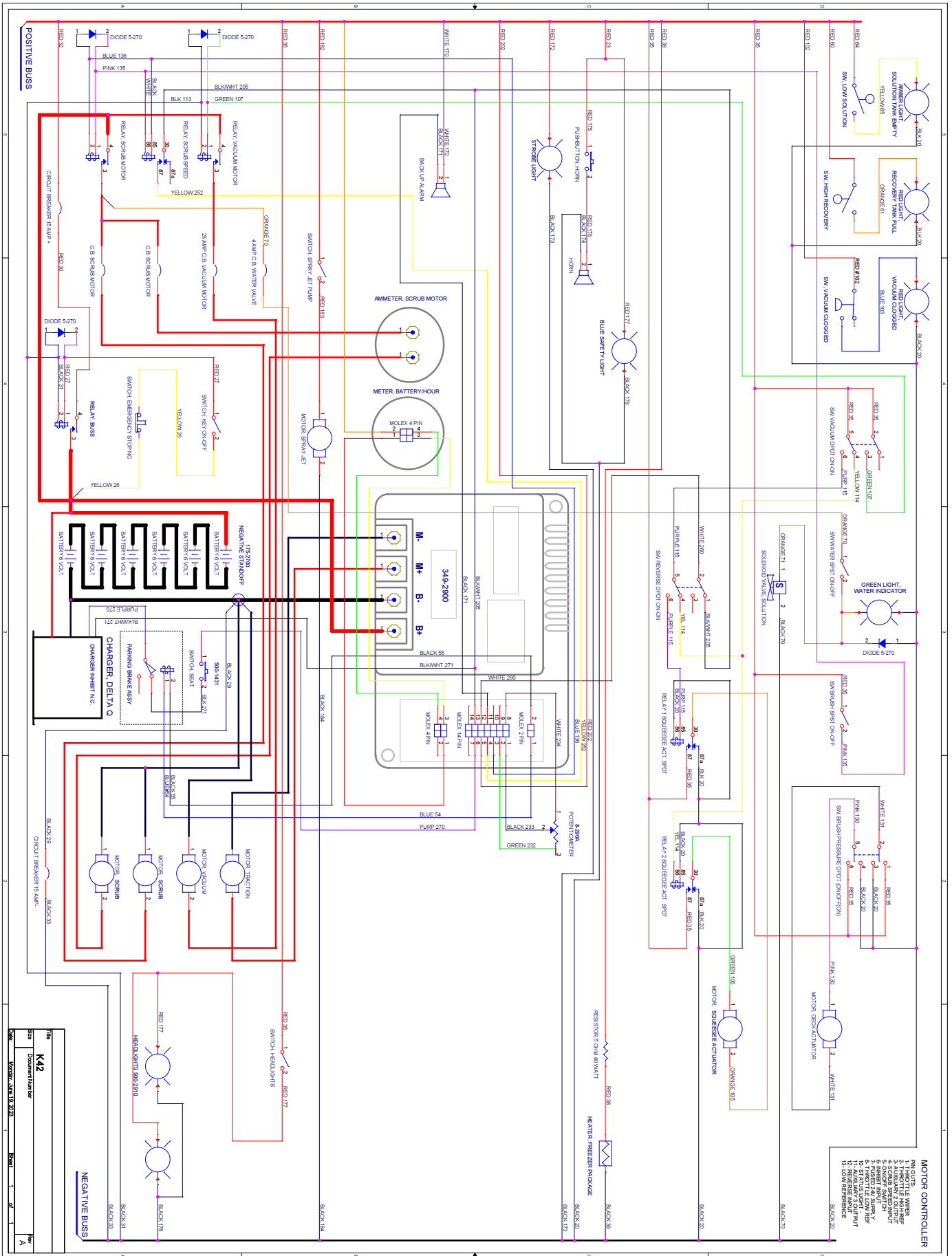
Item	Part No.	Part Description	Qty.
1	175-4500	DETROL VALVE	2
2	21-1601	1/2" BARBED ELBOW (PLASTIC)	4
3	211-4030	FRONT TANK	1
4	253-8910	24V 100 PSI PUMP, WATER JET	1
5	5-446	1/2 " PLASTIC BARB TEE	2
6	5-447	1/2 NPT X 1/2" BARB ELBOW	1
7	H-04788	.50 NPT X .50 BARB	3
8	H-0701891	.75 DIA One Hole Tube Clamp	1
9	H-53933	Hose,1/2"ID,PVC Reinforced Bulk	1
10	H-53933	Hose,1/2"ID,PVC Reinforced Bulk	1
11	H-53933	Hose,1/2"ID,PVC Reinforced Bulk	1
12	H-53933	Hose,1/2"ID,PVC Reinforced Bulk	1
13	H-53933	Hose,1/2"ID,PVC Reinforced Bulk	1
14	H-53933	Hose,1/2"ID,PVC Reinforced Bulk	1
15	H-53933	Hose,1/2"ID,PVC Reinforced Bulk	1
16	H-53933	Hose,1/2"ID,PVC Reinforced Bulk	1
17	H-68600	1/2" NPT BRASS NUT	1
18	M-5346K25	1/2 NPT X 1/2 BRASS BARBED HOSE FITTING	1
19	M-5463K516	ELBOW, NYLON, 3/4" MALE NPT X 1/2" BARB	2

BATTERY AND CHARGER OPTIONS



WHICH BATTERY CHARGER TO USE WITH BATTERY SELECTION

PART NUMBER	DESCRIPTION	STANDARD/OPTION	ONBOARD CHARGER
260-2109	130AH WET TROJAN	STANDARD	150-2460
200-2110	150AH WET TROJAN	OPTION	150-2460
250-2113	240AH WET TROJAN	OPTION	175-2460
170-3121	150AH AGM USBATTERY	OPTION	150-2460
250-3120	240AH AGM USBATTERY	OPTION	175-2460
260-3210	90AH LITHIUM	OPTION	175-2460
260-3210	180AH LITHIUM	OPTION	175-2460
260-3210	270AH LITHIUM	OPTION	175-2460



DECAL KIT

Branding:



Machine Decals:



ROUND DISK BRUSHES:**NOTICE**

The ## in Disk Column Denotes Desk Pad Size: 13" or 20"

BRUSHES	DISK	LEVEL
Midi Grit	706-##C	Medium
Light Grit	706-##PS	Moderate
Nylon	706-##N	Light
Pad Driver	706-##D	
Pad Driver Pad Retainer	#40-433	
Pad Driver Spring Clip	#40-423	

ROUND DISK PADS:**NOTICE**

The ## in Disk Column Denotes Desk Pad Size: 13" or 20"

DISK PADS	DISK	LEVEL	COLOR
Super Black	##-422BB	Very High	Black
Black	##-422B	High	Black
Brown	##-422BR	High	Brown
Green	##-422G	Medium	Green
Blue	##-422BL	Moderate	Blue
Red	##-422R	Moderate	Red
White	##-422W	Light	White

OTHER

Squeegee Blade Kits

SQUEEGEE BLADE KITS & COMPLETE SQUEEGEE ASSEMBLIES:

SQUEEGEE SIZE	20" DECK	26" DECK	24" Orbital	28" Orbital
28" Squeegee	Standard	Standard	Standard	Optional
31" Squeegee	Optional	Optional	Optional	Standard
33" Squeegee	Optional	Optional	Optional	Optional

SQUEEGEE SIZE	LINATEX BLADE KIT	URETHANE BLADE KIT	NANORADE BLADE KIT	COMPLETE SQUEEGEE ASSEMBLIES
28" Squeegee	428-721L	428-721U	428-721N	228-9180
31" Squeegee	431-721L	431-721U	431-721N	231-9180
33" Squeegee	433-721L	433-721U	433-721N	233-9180

SQUEEGEE MATERIAL:	USED FOR:
LINATEX	Provides best wear and tear resistance. Not designed for use with harsh chemicals.
URETHANE	Provides best resistance when dealing with harsh chemicals, oils, fuels, etc.
NANORADE	Increased durability, optimal water pick up and reduced friction.

NOTICE

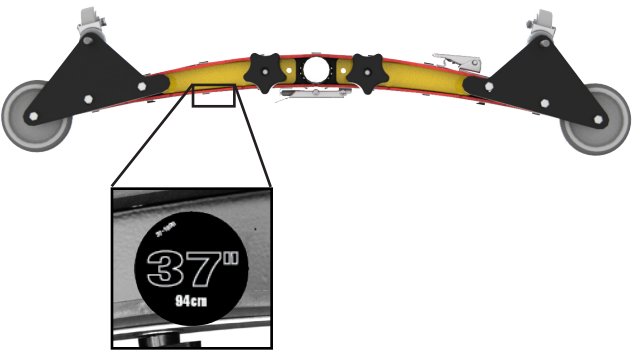
Squeegee blade kits include (1) Rear Blade, (1) Front Blade, and (2) Caster Wheels with hardware.

NOTICE

Squeegee Assemblies (complete) listed above all come with Linatex blades.

NOTICE

Size is denoted by label on top squeegee.



The diagram shows a top-down view of a squeegee assembly. It consists of a central yellow and red blade mounted on a black frame. The frame has two large black wheels at the ends. A callout box points to a label on the top of the blade, which displays the number '37 00' and the measurement '94cm'.

BLANK

THIS PAGE WAS INTENTIONALLY LEFT BLANK

