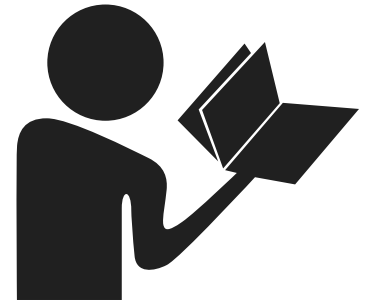
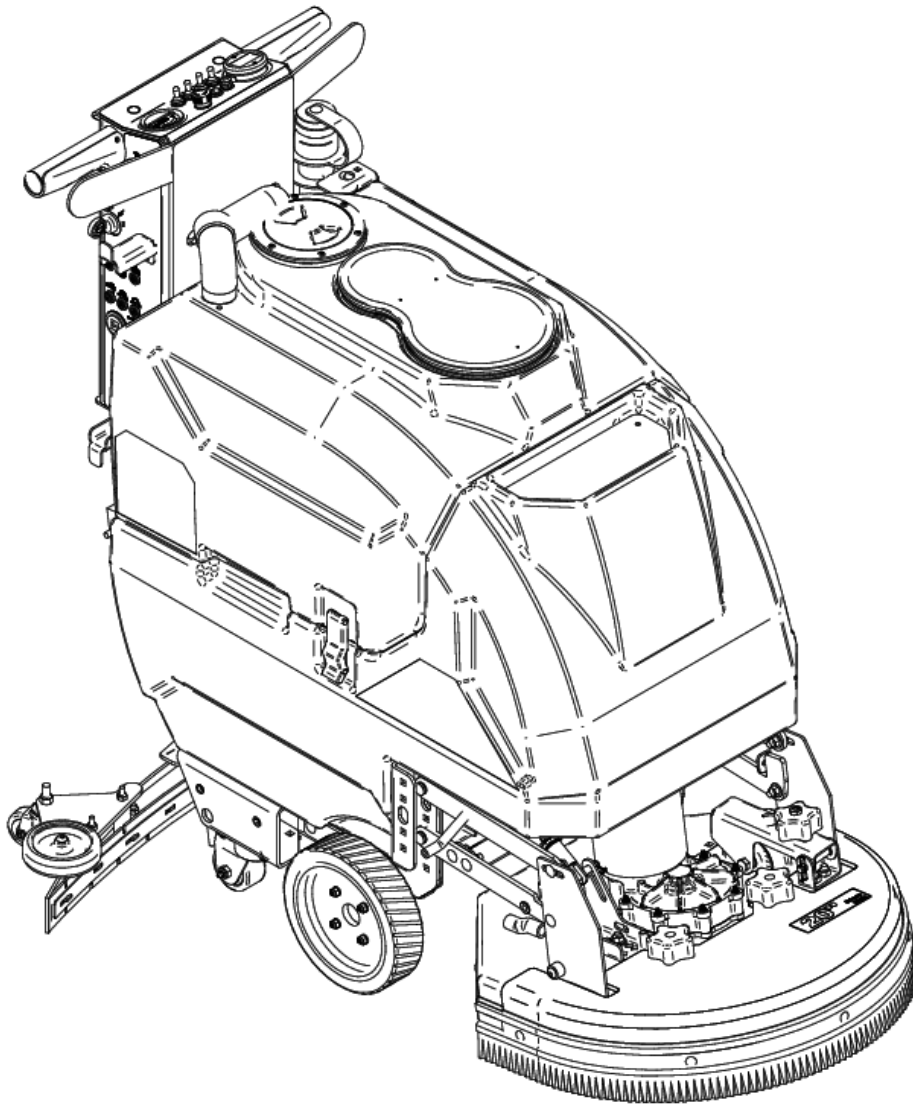




## Parts Manual (EN)

### Models:

17" & 20" Disk  
24" Grout  
20" & 24" Orbital



Read the Operators Manual  
before using the machine.



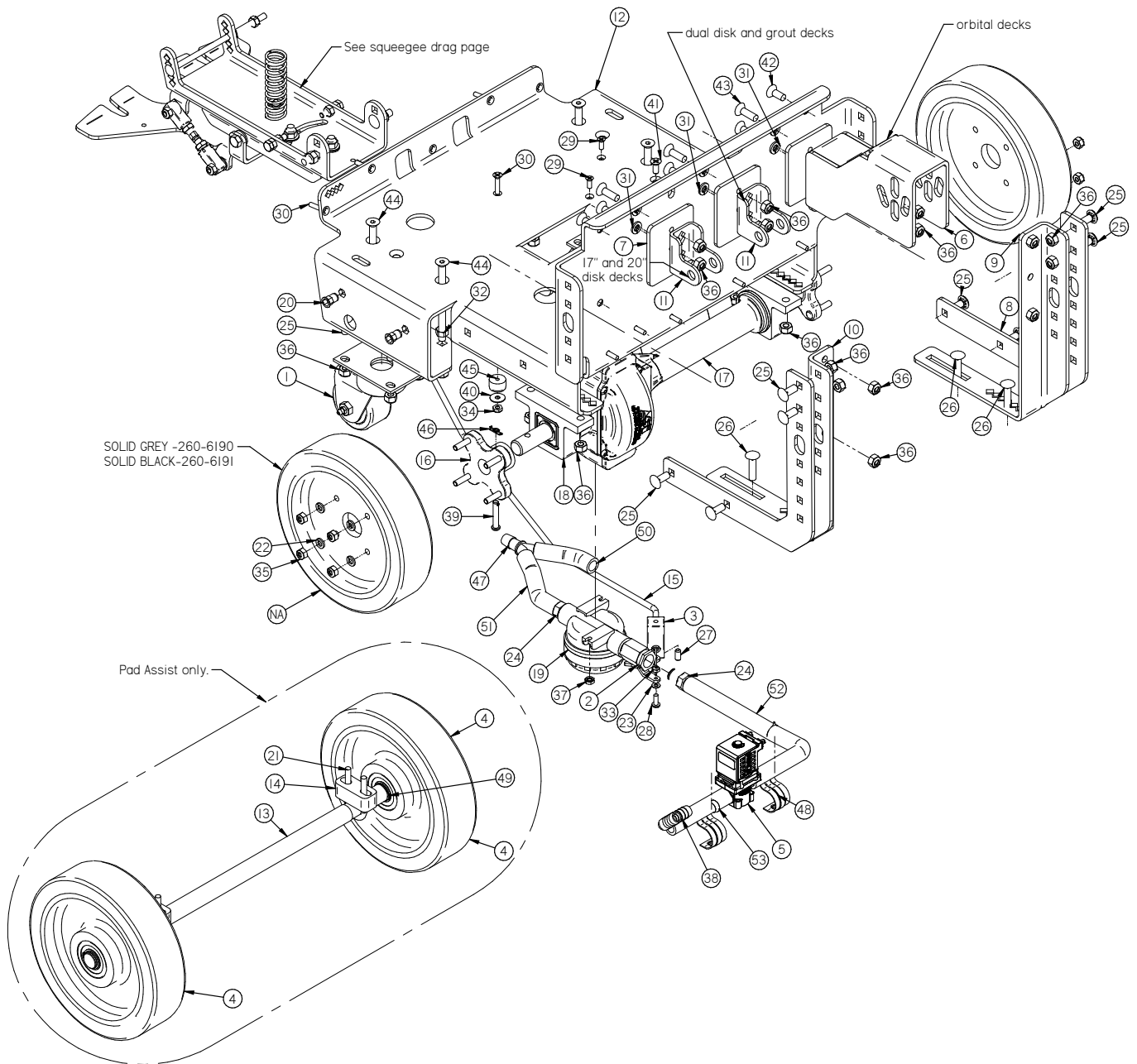
Read the Safety Messages  
before servicing machine.

# CONTENT

## CONTENTS

Frame . . . . .	3
Squeegee Trail Arm . . . . .	4
17 Inch Disk Scrub Deck . . . . .	5
20 Inch Disk Scrub Deck . . . . .	6
Orbital Lift Arm . . . . .	7
20 Inch Orbital Deck . . . . .	8
24 Inch Orbital Deck . . . . .	9
24 Inch Grout Deck . . . . .	10
Solution Tank Assembly . . . . .	11
Recovery Tank Assembly . . . . .	12
Squeegee Lift Bracket . . . . .	13
Central Command . . . . .	14
Battery Pack And Chargers. . . . .	15
Options . . . . .	16
Squeegees. . . . .	17
Common Wear Parts . . . . .	18

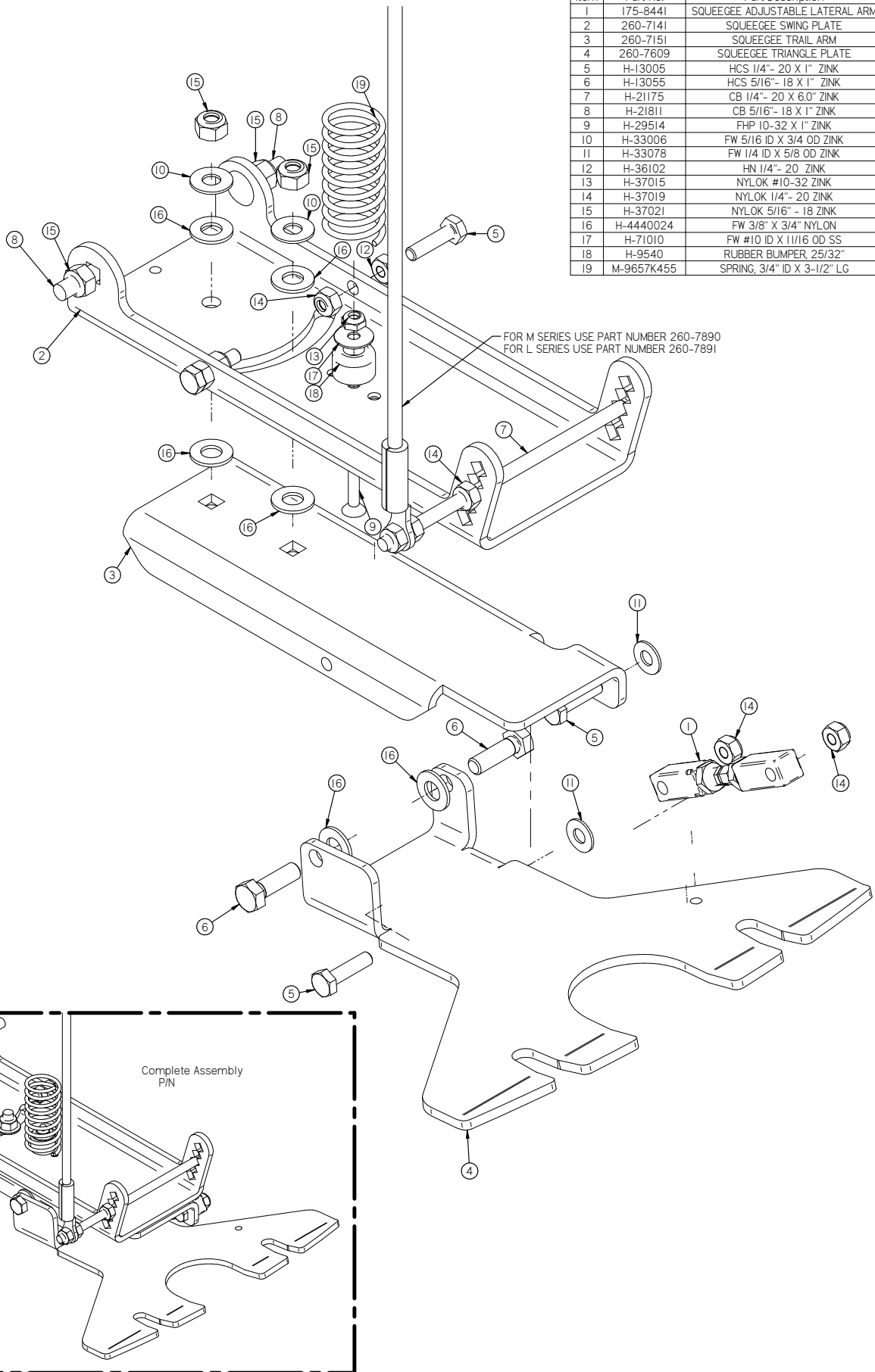
# FRAME



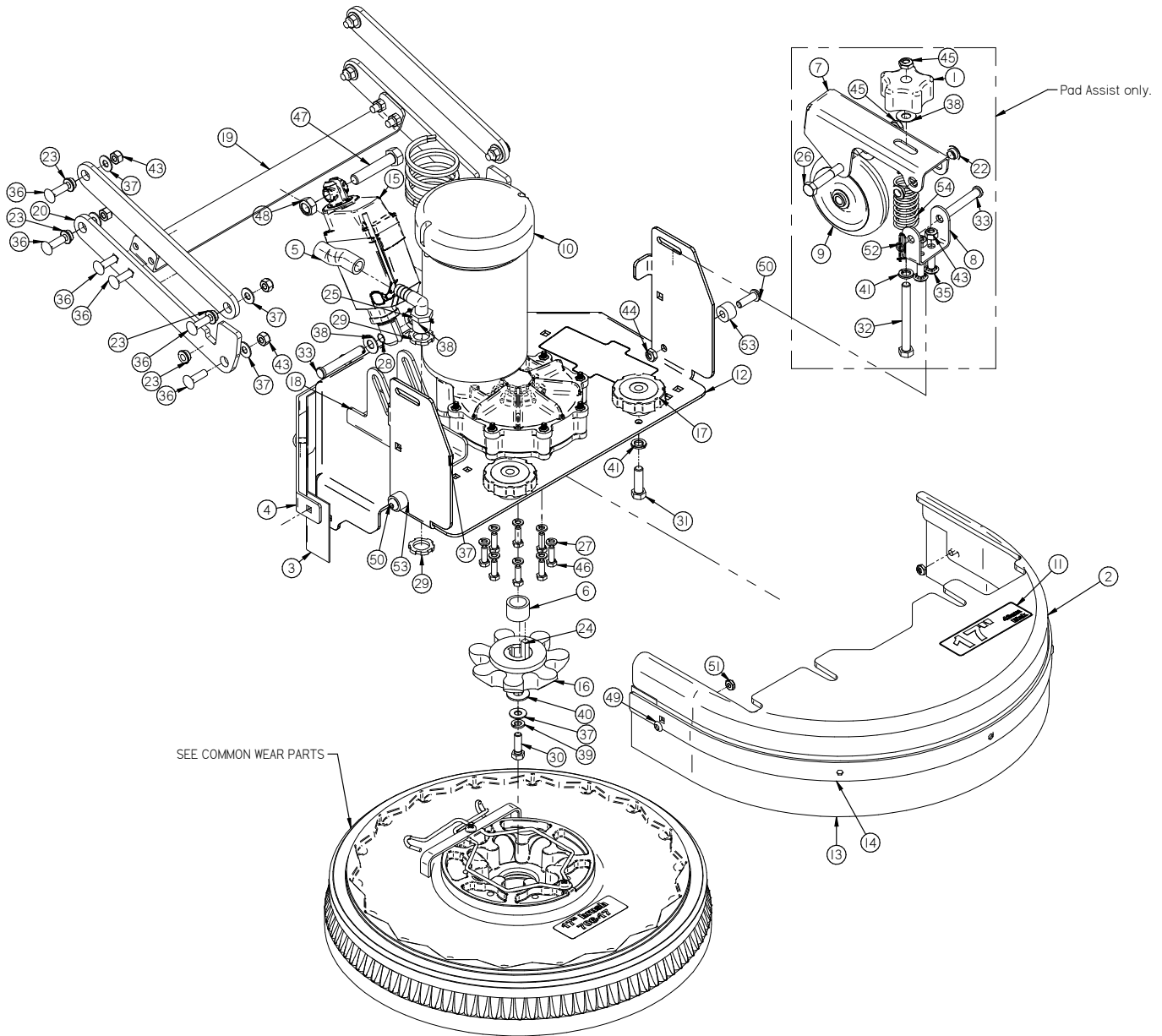
Item	Part No.	Part Description	Qty.	Item	Part No.	Part Description	Qty.
1	150-3030	CASTER	2	27	H-25382	SETSCREW, KCP, 1/4"-20 X 1/2"	1
2	150-4158	BALL VALVE, 3/8"	1	28	H-28804	PPH #6-32 X 1/2" ZINC	1
3	150-9131	CABLE GUIDE	1	29	H-29506	FHP #10-32 X 1/2" ZINC	2
4	170-6185	DRIVE TIRE, GRAY POLY NO GROVE	2	30	H-29514	FHP 10-32 X 1" ZINC	11
5	175-4500	24V VALVE	1	31	H-33620	LW 5/16" ZINC	6
6	260-0990	LIFTING BRACKET	1	32	H-36104	HN 5/16"- 18 ZINC	8
7	260-0995	THREADED PLATE	3	33	H-37010	NYLOK #6-32 SS	1
8	260-1000	FRAME BRACE	2	34	H-37015	NYLOK #10-32 ZINC	1
9	260-1001	LEFT FRAME BRACKET	1	35	H-37019	NYLOK 1/4"- 20 ZINC	12
10	260-1002	RIGHT FRAME BRACKET	1	36	H-37021	NYLOK 5/16" - 18 ZINC	35
11	260-1006	LIFTING BRACKET	2	37	H-37408	KN #10-32 ZINC	2
12	260-1102	FRAME BASE SKI I	1	38	H-54635	1/2 X 1/2 X 90 BARBED ELBOW, NYLON	1
13	260-1171	AXLE	1	39	H-66029	1/4" X 1 3/8" CLEVIS PIN	2
14	260-1270	AXLE SPACER	2	40	H-71010	FW #10 ID X 11/16 OD SS	1
15	260-2013	PUSH PULL CABLE GUIDE	1	41	H-94223	FHP 1/4"- 20 X 5/8" ZINC	1
16	260-300ID	TRANS AXLE HUB	2	42	H-94254	FHSCS 5/16"- 18 X 3/4" ZINC	4
17	260-3009	TRANS AXLE I24VI	1	43	H-94256	FHSCS 5/16"- 18 X 1" ZINC	6
18	260-3009M	AXLE MOUNT	2	44	H-94267	FHSCS 5/16"- 18 X 4-1/4" ZINC	4
19	370-9130	INLINE FILTER	1	45	H-9540	RUBBER BUMPER, 25/32"	1
20	H-00918	HCN 1/4"-20 LG	4	46	H-RUE8	RUE RING COTTER	2
21	H-0156419	1/4-20 X 3/4" ID X 2.25" LG ID U-BOLT	2	47	M-5463K727	WYE, 1/2", NYLON	1
22	H-0157797	LW 1/4" ZINC	8	48	M-9434T22	1.0 DIA One Hole Tube Clamp	2
23	H-0159717	FW #6 ZINC	1	49	M-98585A115	SNAPPING 3/4" HEAVY DUTY	4
24	H-04763	.375 NPT X .50 BARB	2	50	T-050C6000	BULK 1/2" ID X 5' CLEAR SOLUTION HOSE	1
25	H-21810	CB 5/16"- 18 X 3/4" ZINC	16	51	T-050C6000	BULK 1/2" ID X 5' CLEAR SOLUTION HOSE	1
26	H-21812	CB 5/16"- 18 X 1-1/4" ZINC	4	52	T-050C6000	BULK 1/2" ID X 5' CLEAR SOLUTION HOSE	1
				53	T-050C6000	BULK 1/2" ID X 5' CLEAR SOLUTION HOSE	1

# SQUEEGEE TRAIL ARM

Item	Part No.	Part Description	Qty.
1	175-8441	SQUEEGEE ADJUSTABLE LATERAL ARM	1
2	260-7141	SQUEEGEE SWING PLATE	1
3	260-7151	SQUEEGEE TRAIL ARM	1
4	260-7609	SQUEEGEE TRIANGLE PLATE	1
5	H-13005	HCS 1/4" - 20 X 1" ZINK	4
6	H-13055	HCS 5/16" - 18 X 1" ZINK	2
7	H-21175	CB 1/4" - 20 X 6.0" ZINK	1
8	H-21811	CB 5/16" - 18 X 1" ZINK	4
9	H-29514	FHP 10-32 X 1" ZINK	1
10	H-33006	FW 5/16 ID X 3/4 OD ZINK	2
11	H-33078	FW 1/4 ID X 5/8 OD ZINK	2
12	H-36102	HN 1/4" - 20 ZINK	2
13	H-37015	NYLOK #10-32 ZINK	1
14	H-37019	NYLOK 1/4" - 20 ZINK	7
15	H-37021	NYLOK 5/16" - 18 ZINK	6
16	H-4440024	FW 3/8" ID X 3/4" NYLON	6
17	H-71010	FW #10 ID X 11/16 OD SS	1
18	H-9540	RUBBER BUMPER, 25/32"	1
19	M-9657K455	SPRING, 3/4" ID X 3-1/2" LG	1

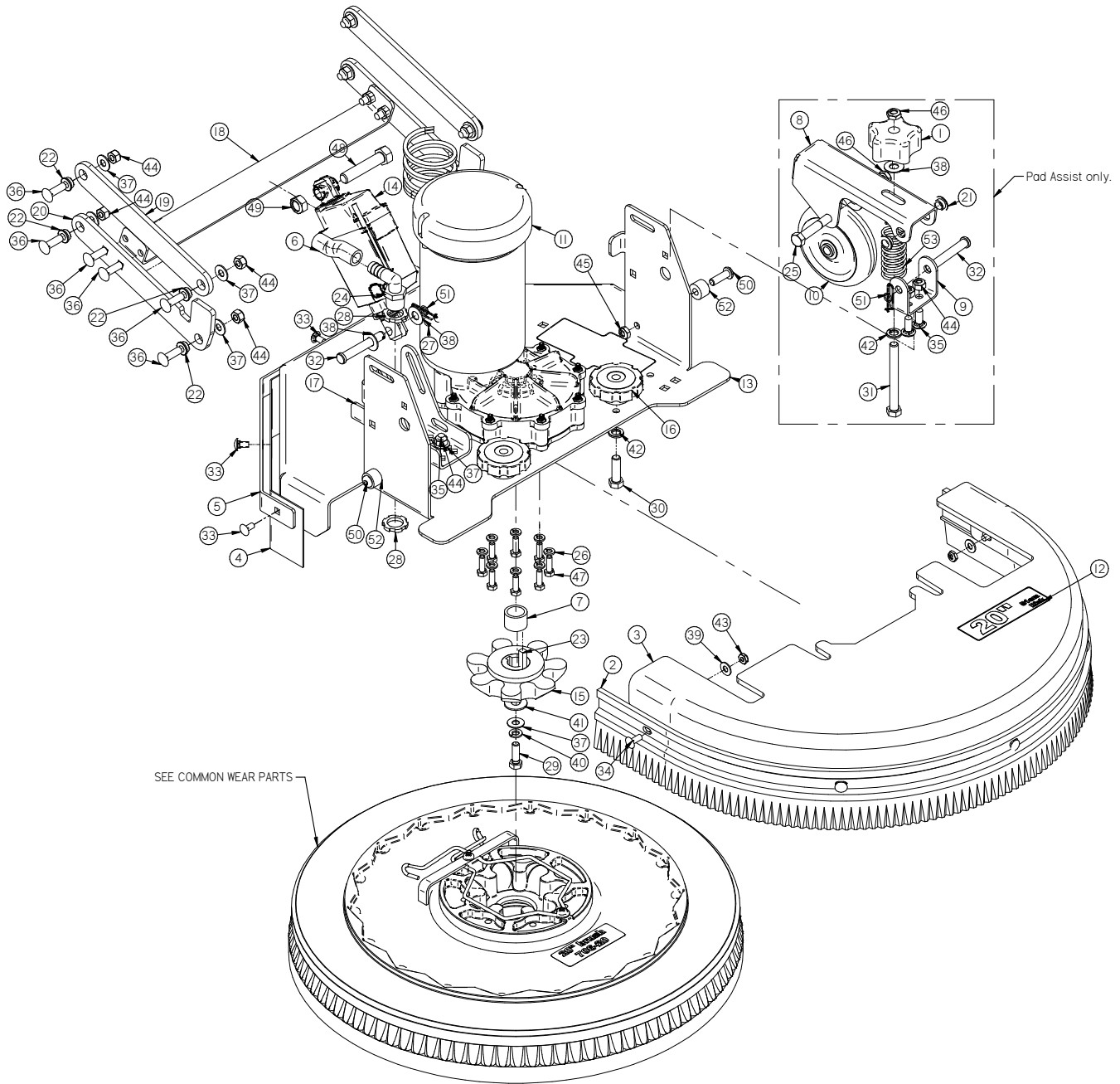


# 17 INCH DISK SCRUB DECK



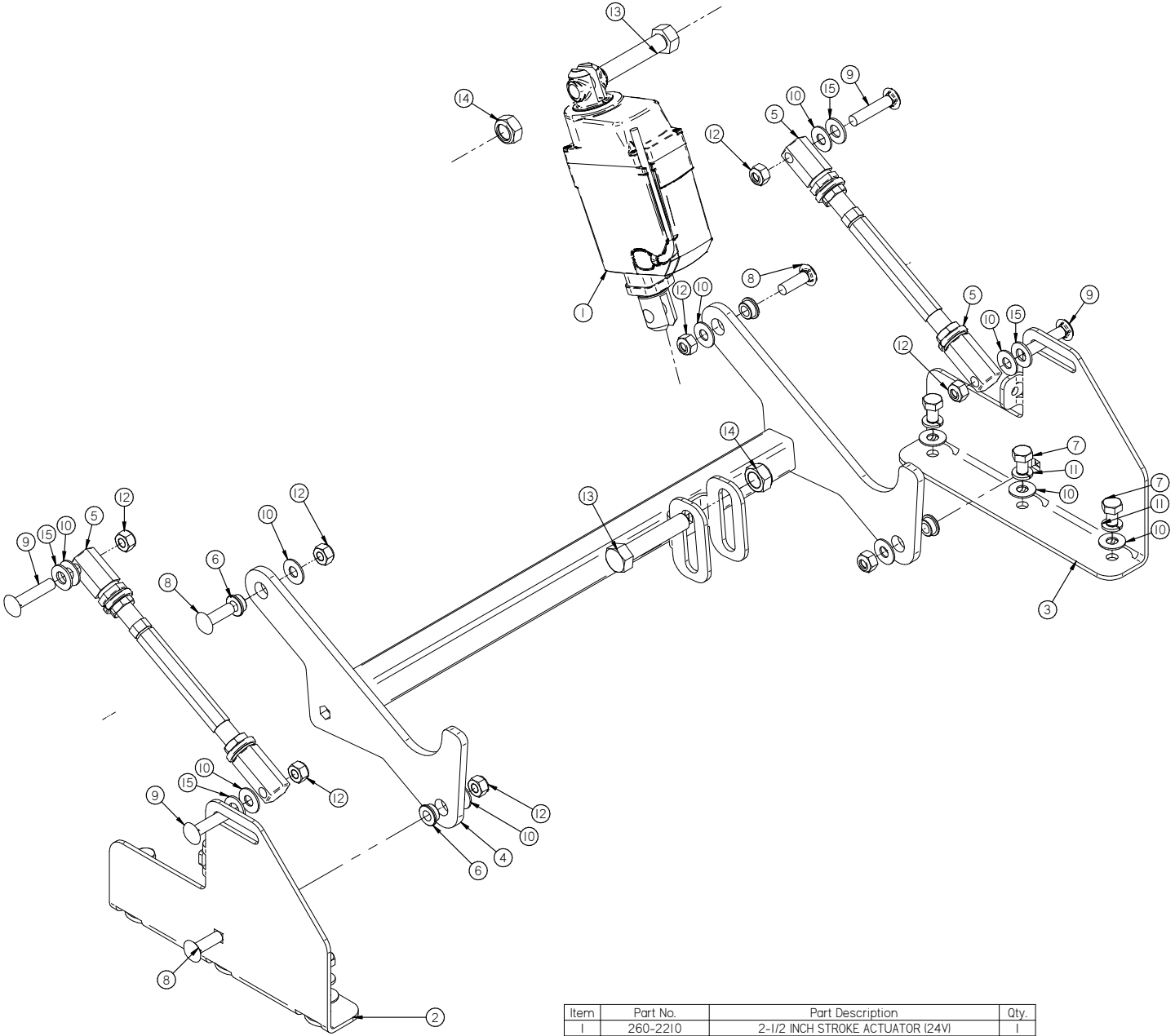
Item	Part No.	Part Description	Qty.	Item	Part No.	Part Description	Qty.
1	150-5786	STAR KNOB, 3/8-16 THREAD	1	28	H-0434665	SLEEVE, .4395 OD X .375 ID X .75 LG	1
2	170-1140	DISK DECK SHROUD, 17"	1	29	H-07005	1/2" NPT LOCKNUT	2
3	170-1167	DISK DECK CURTAIN, 17"	1	30	H-13055	HCS 5/16"- 18 X 1" ZINK	1
4	170-1175	DISK DECK CURTAIN BAND, 17"	1	31	H-13107	HCS 3/8"- 16 X 1-1/4" ZINK	2
5	170-1601	1/2" ID X 2-3/4" LG WIRE REINF. CLEAR TUBE	1	32	H-13819	HCS 3/8"- 16 X 3-1/2" SS	1
6	175-5005	DRIVER SPACER	1	33	H-15675	CLEVIS PIN, 3/8" X 2-1/2"	2
7	190-1030	DECK WHEEL PIVOT BRACKET	1	34	H-21795	CB 1/4"- 20 X 5" ZINK	5
8	190-1035	DECK WHEEL PIVOT SUPPORT	1	35	H-21810	CB 5/16"- 18 X 3/4" ZINK	6
9	190-3020	4.0" WHEEL (RED)	1	36	H-21811	CB 5/16"- 18 X 1" ZINK	12
10	260-0201		1	37	H-33006	FW 5/16 ID X 3/4 OD ZINK	13
11	260-0200	20 INCH DISK STICKER	1	38	H-33008	FW 3/8 ID X 7/8 OD ZINK	3
12	260-1117	17" DISK DECK	2	39	H-33620	LW 5/16" ZINK	1
13	260-1163	17" SHROUD CURTAIN	1	40	H-33622	FW 3/8" ZINK NOM ID .4375 X OD 1.0	1
14	260-1173	17" SHROUD CURTAIN BAND	1	41	H-33622	LW 3/8" ZINK	3
15	260-2210	2-1/2 INCH STROKE ACTUATOR (24V)	1	42	H-37020	JNYL 1/4" - 20 ZINK	5
16	260-5000	BRUSH DRIVER RED HARD COAT (L7-LOBE_L)	1	43	H-37021	NYLOK 5/16" - 18 ZINK	18
17	260-5786	STAR KNOB, 3/8-16 THREAD	2	44	H-37023	JNYL 5/16"- 18 ZINK	2
18	260-9002	20 INCH DISK LIFTING BRACKET	1	45	H-37026	JNYL 3/8- 16 ZINK	2
19	260-9579	LIFT ARM CROSS BAR 20" DISK	1	46	H-38564	M6 METRIC BOLT	8
20	260-9594	LATERAL ARM, DISK (SK11 17" 20")	2	47	H-38712	HCS M12-1.75 X 60MM ZINK	1
21	260-9595	LATERAL ARM, DISK (SK11 17" 20")	2	48	H-40171	NYLOK M12-1.75 ZINK	1
22	290-1233	3/8" ID, 1/2" OD, 1/4" LG BEARING	2	49	H-73753	BHSCS 1/4 - 20 X 5/8" SS	5
23	370-1247	BUSHING 5/16 X 1/2 X 3/16	8	50	H-94071	BHSCS 5/16-18 X 1 ZINK	2
24	5-431	1/4" X 1" KEY	1	51	H-NJ04C	JNYL 1/4" - 20 SS	5
25	5-447	1/2 NPT X 1/2" BARB ELBOW	1	52	H-RUE14	3/8" RUE RING COTTER	2
26	H-	HCS 3/8"- 16 X 2-1/4" ZINK	1	53	M-92825A201	.325" ID X 3/4" OD X 1/2" LDPE SPACER	2
27	H-0157797	LW 1/4" ZINK	8	54	M-9657K455	SPRING, 1/2" ID X 2-1/2" LG	1

# 20 INCH DISK SCRUB DECK



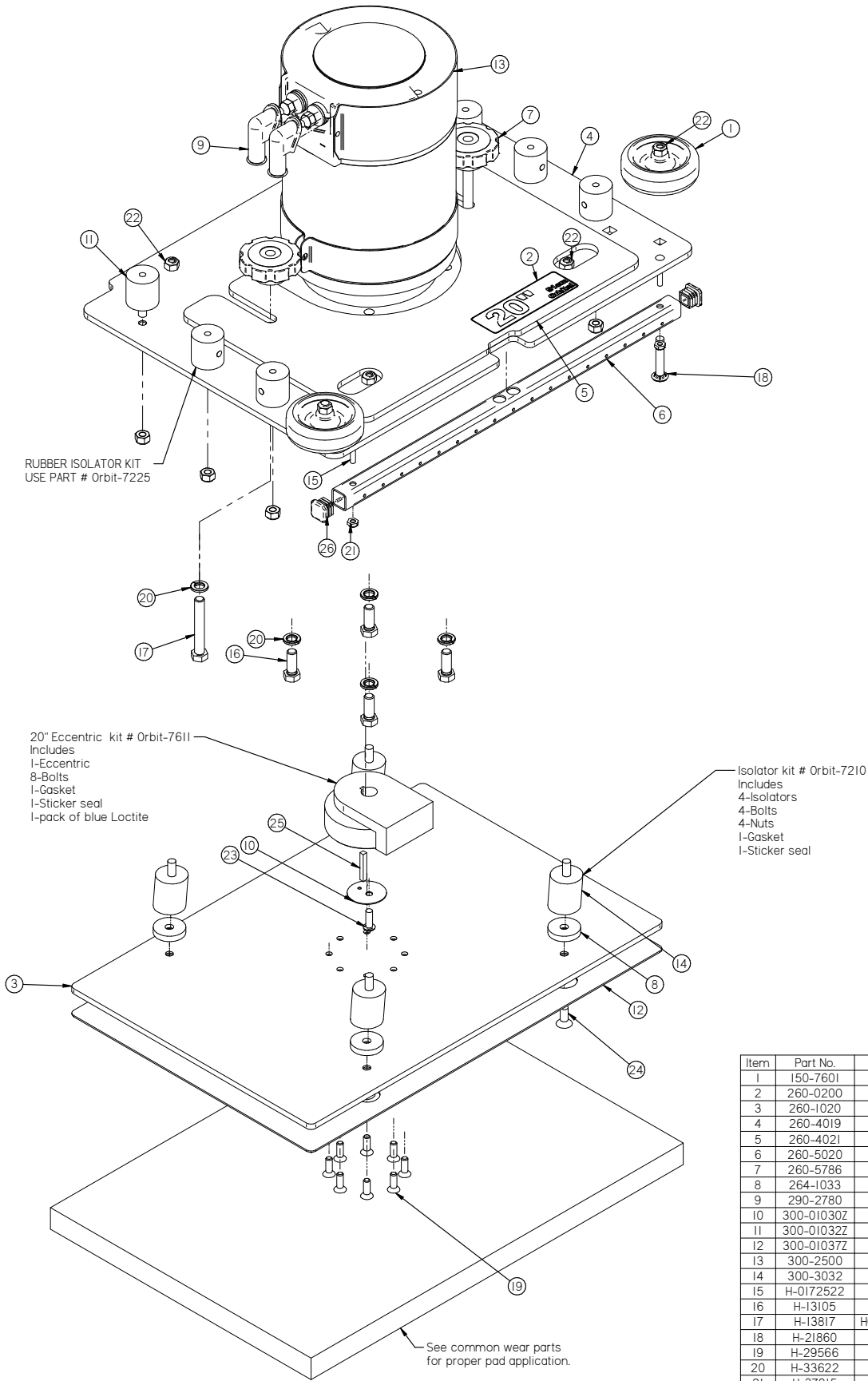
Item	Part No.	Part Description	Qty.	Item	Part No.	Part Description	Qty.
1	150-5786	STAR KNOB, 3/8-16 THREAD	1	27	H-0434665	SLEEVE, .4395 OD X .375 ID X .75 LG	1
2	170-0015	SHROUD CURTAIN, 20"	1	28	H-07005	1/2" NPT LOCKNUT	2
3	170-1141	DISK DECK SHROUD, 20"	2	29	H-13055	HCS 5/16"- 18 X 1" ZINK	1
4	170-1166	DISK DECK CURTAIN, 20"	1	30	H-13107	HCS 3/8"- 16 X 1-1/4" ZINK	2
5	170-1170	DISK CURTAIN BAND, 20"	1	31	H-13819	HCS 3/8"- 16 X 3-1/2" SS	1
6	170-1601	1/2" ID X 2-3/4" LG WIRE REINF. CLEAR TUBE	1	32	H-15675	CLEVIS PIN, 3/8" X 2-1/2"	2
7	175-5005	DRIVER SPACER	1	33	H-21795	CB 1/4"- 20 X .5" ZINK	5
8	190-1030	DECK WHEEL PIVOT BRACKET	1	34	H-21800	CB 1/4"- 20 X 5/8" ZINK	5
9	190-1035	DECK WHEEL PIVOT SUPPORT	1	35	H-21810	CB 5/16"- 18 X 3/4" ZINK	6
10	190-3020	4.0" WHEEL (RED)	1	36	H-21811	CB 5/16"- 18 X 1" ZINK	12
11	260-0201		1	37	H-33006	FW 5/16 ID X 3/4 OD ZINK	13
12	260-020D	20 INCH DISK STICKER	1	38	H-33008	FW 3/8 ID X 7/8 OD ZINK	3
13	260-1120	20" DISK DECK	1	39	H-33078	FW 1/4 ID X 5/8 OD ZINK	5
14	260-2210	2-1/2 INCH STROKE ACTUATOR (24V)	1	40	H-33620	LW 5/16" ZINK	1
15	260-5000	BRUSH DRIVER RED HARD COAT (L7-LOBE...)	1	41	H-33622	FW 3/8" ZINK NOM ID .4375 X OD 1.0	1
16	260-5786	STAR KNOB, 3/8-16 THREAD	2	42	H-33622	LW 3/8" ZINK	3
17	260-9002	20 INCH DISK LIFTING BRACKET	1	43	H-37020	JNYL 1/4" - 20 ZINK	10
18	260-9579	LIFT ARM CROSS BAR 20" DISK	1	44	H-37021	NYLOK 5/16" - 18 ZINK	18
19	260-9585	UPPER LATERAL ARM, DISK	2	45	H-37023	JNYL 5/16"- 18 ZINK	2
20	260-9586	LATERAL ARM, DISK	2	46	H-37026	JNYL 3/8- 16 ZINK	2
21	290-1233	3/8" ID, 1/2" OD, 1/4" LG BEARING	2	47	H-38564	M6 METRIC BOLT	8
22	370-1247	BUSHING 5/16 X 1/2 X 3/16	8	48	H-38712	HCS M12-1.75 X 60MM ZINK	1
23	5-431	1/4" X 1" KEY	1	49	H-40171	NYLOK M12-1.75 ZINK	1
24	5-447	1/2 NPT X 1/2" BARB ELBOW	1	50	H-94071	BHSCS 5/16-18 X 1 ZINK	2
25	H-	HCS 3/8"- 16 X 2-1/4" ZINK	1	51	H-RUE14	3/8" RUE RING COTTER	2
26	H-0157797	LW 1/4" ZINK	8	52	M-92825A201	.325" ID X 3/4" OD X 1/2" LDPE SPACER	2
				53	M-9657K455	SPRING, 1/2" ID X 2-1/2" LG	1

# ORBITAL LIFT ARM



Item	Part No.	Part Description	Qty.
1	260-2210	2-1/2 INCH STROKE ACTUATOR (24V)	1
2	260-9080	ILHI DECK BRACKET ( 24V )	1
3	260-9081	IRHI DECK BRACKET ( 24V )	1
4	260-9582	LATERAL ARM ( 24V (ORBITAL)	1
5	264-8431	ADJUSTABLE LATERAL ARM	2
6	370-1247	BUSHING 5/16 X 1/2 X 3/16	4
7	H-13051	HCS 5/16"- 18 X 1/2" ZINK	6
8	H-21811	CB 5/16"- 18 X 1" ZINK	4
9	H-21813	CB 5/16"- 18 X 1-1/2" ZINK	4
10	H-33006	FW 5/16 ID X 3/4 OD ZINK	14
11	H-33620	LW 5/16" ZINK	6
12	H-37021	NYLOK 5/16" - 18 ZINK	8
13	H-38712	HCS M12-1.75 X 60MM ZINK	2
14	H-40171	NYLOK M12-1.75 ZINK	2
15	H-4440024	FW 3/8" X 3/4" NYLON	4

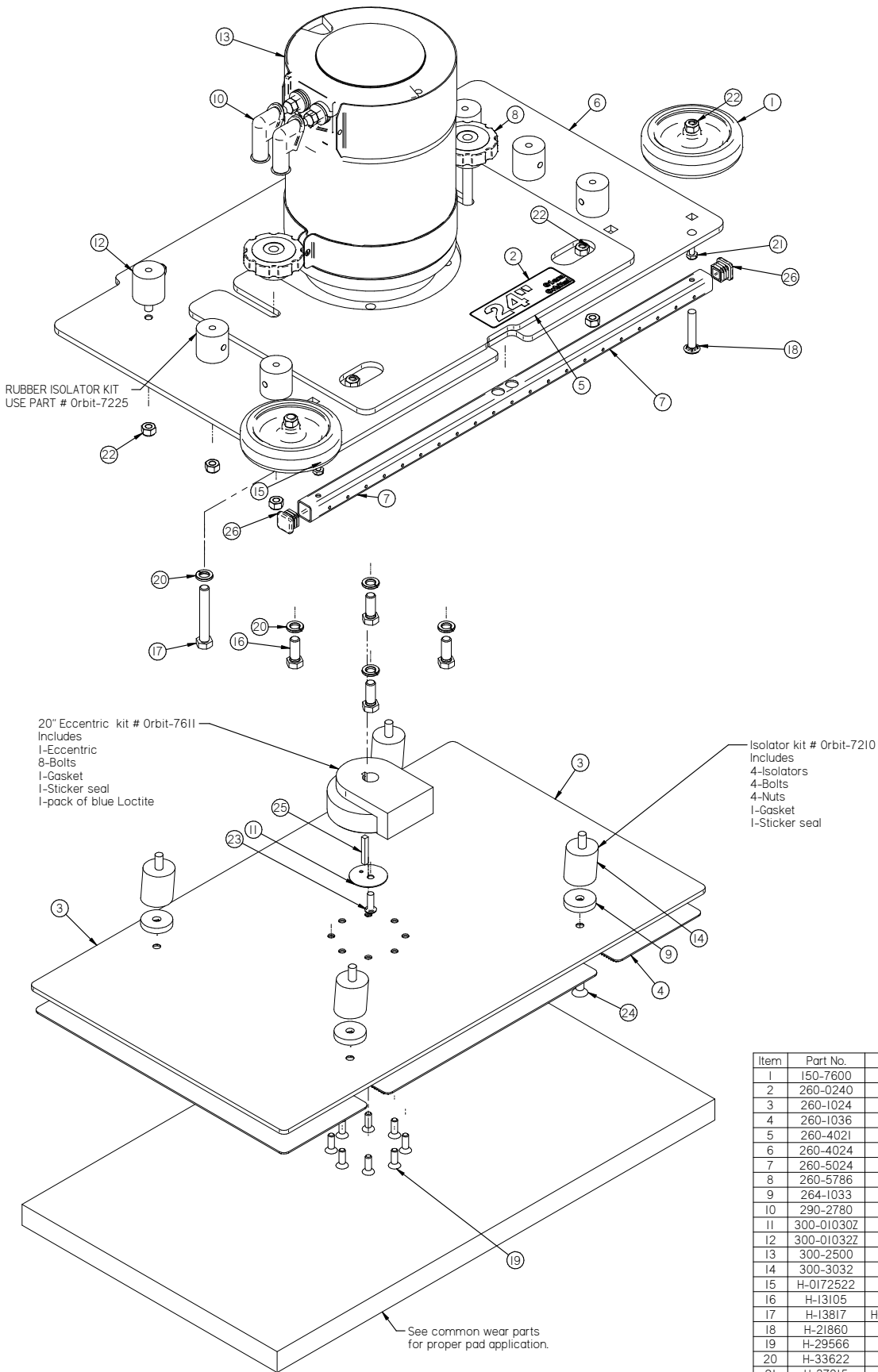
# 20 INCH ORBITAL DECK



Item	Part No.	Part Description	Qty.
1	150-7601	3" SIDE WHEEL (GREY)	2
2	260-0200	20 INCH ORBITAL STICKER	1
3	260-1020	20 INCH ALUMINUM PAD DRIVER	1
4	260-4019	20 INCH SQUARE HEAD DECK	1
5	260-4021	8.25 LBS WEIGHT (YELLOW)	1
6	260-5020	SQ. SOLUTION FEED TUBE (20")	1
7	260-5786	STAR KNOB, 3/8"-16 THREAD	2
8	264-1033	1/4" SPACER	4
9	290-2780	TERMINAL BOOT, BLACK	2
10	300-01030Z	CRUSH WASHER	1
11	300-01032Z	1-1/4X1-1/4X5/16-18 (50DI) ISOLATOR	6
12	300-01037Z	20 INCH GRIP FACE	1
13	300-2500	24V,IHP,2500 RPM	1
14	300-3032	1-1/4X1-1/2X5/16-18 (50DI) ISOLATOR	4
15	H-0172522	CB #10-32 X 1-1/4" ZINK	2
16	H-13105	HCS 3/8"- 16 X 1" ZINK	4
17	H-13817	HCS 3/8"- 16 X 2-1/2" ZINK (FULLY THREADED)	2
18	H-21860	CB 5/16"- 18 X 1-3/4" ZINK	2
19	H-29566	FHP 1/4"- 20 X 3/4" ZINK	8
20	H-33622	LW 3/8" ZINK	6
21	H-37015	NYLOK #10-32 ZINK	2
22	H-37021	NYLOK 5/16" - 18 ZINK	12
23	H-73754	BHSCS 1/4 - 20 X 3/4" SS	1
24	H-94254	FHSCS 5/16"- 18 X 3/4" ZINK	4
25	H-K14320	3/16" X 1 1/4" KEY	1
26	M-9565K5	3/4 X 3/4 SQ TUBE PLUG	2

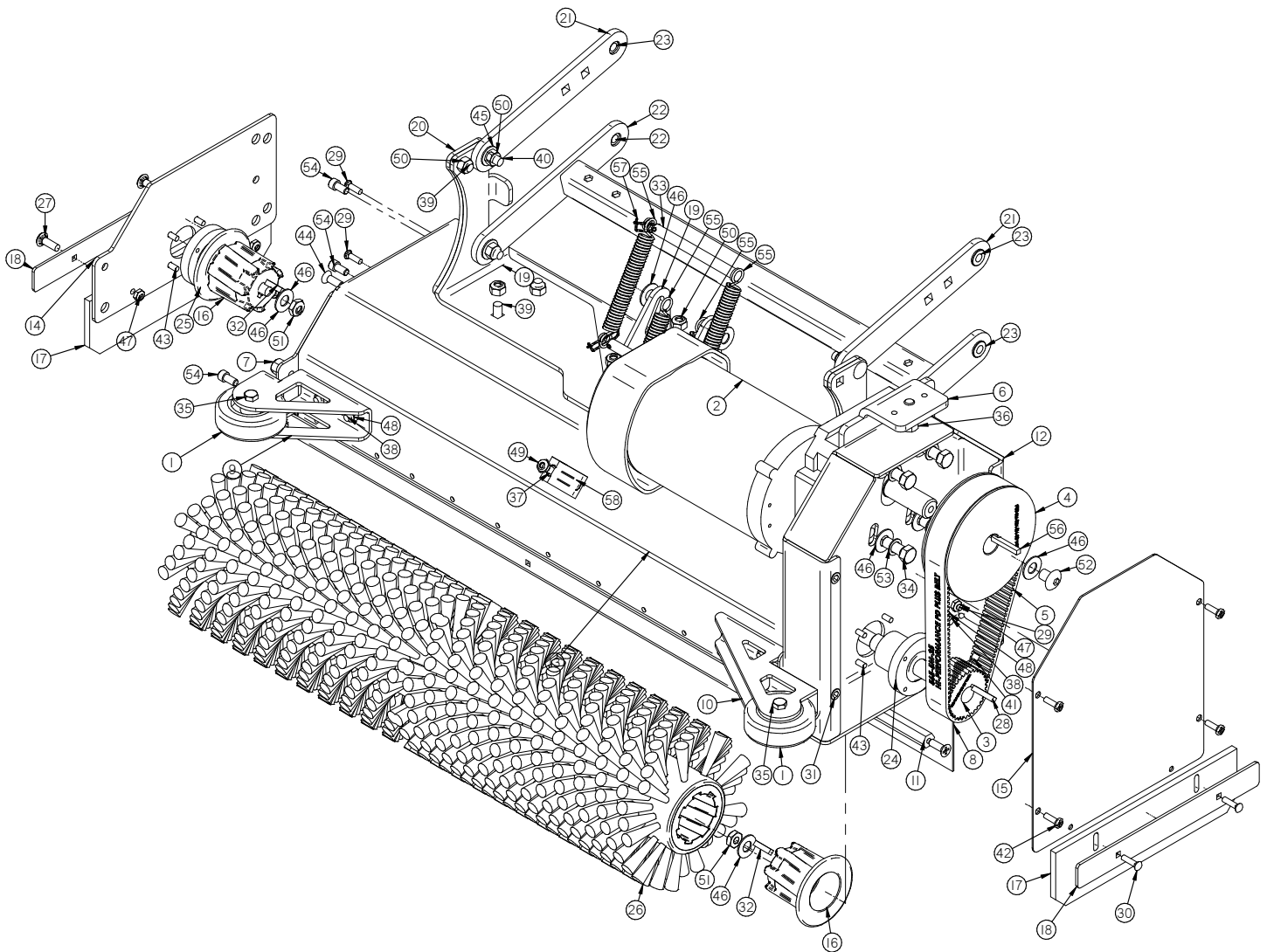


# 24 INCH ORBITAL DECK



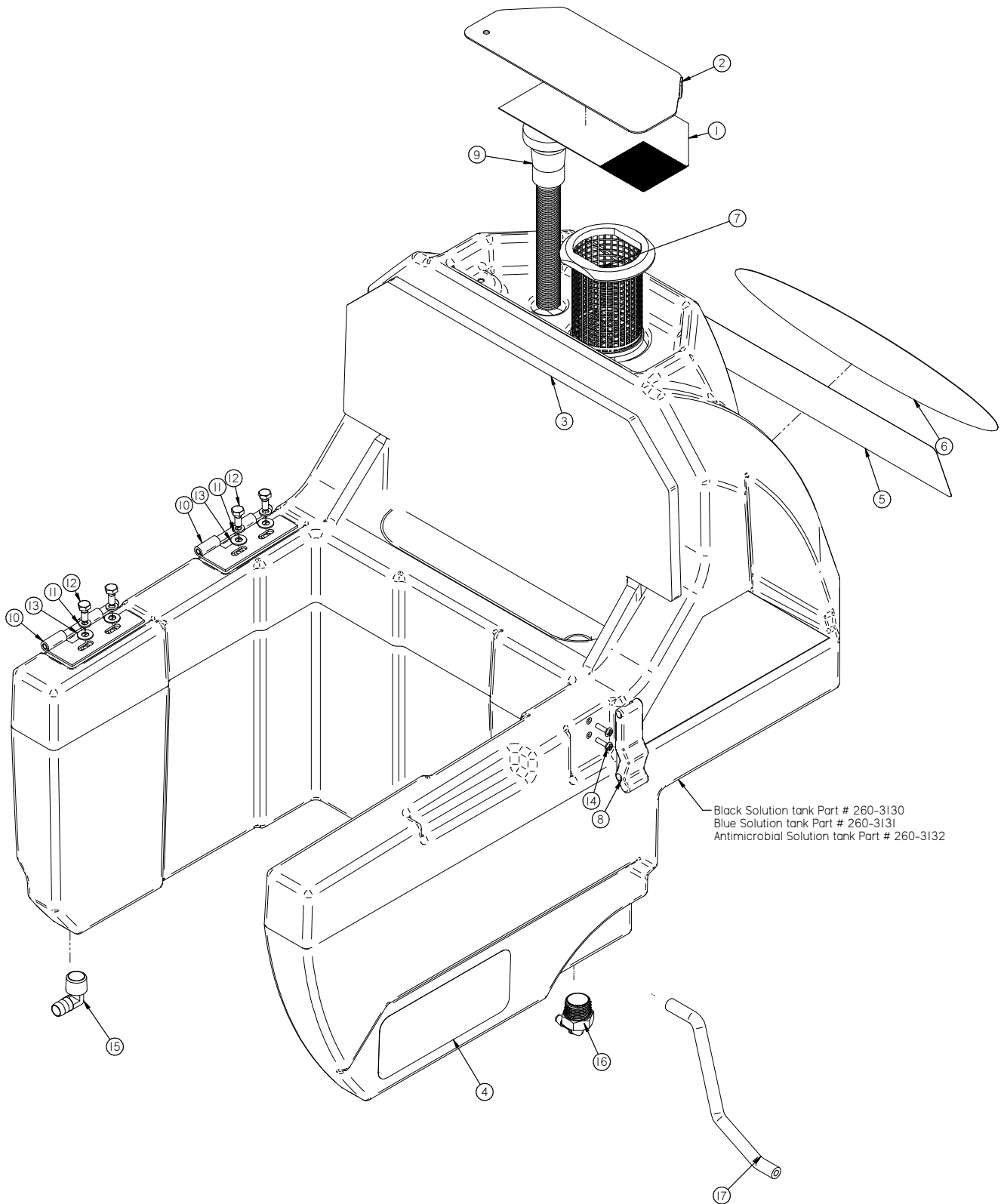
Item	Part No.	Part Description	Qty.
1	150-7600	4" SIDE WHEEL (GREY)	2
2	260-0240	24 INCH ORBITAL STICKER	1
3	260-1024	24 INCH ALUMINUM PAD DRIVER	1
4	260-1036	24" GRIP FACE	1
5	260-4021	8.25 LBS WEIGHT (YELLOW)	1
6	260-4024	24 INCH SQUARE HEAD DECK	1
7	260-5024	SOLUTION FEED TUBE (24")	1
8	260-5786	STAR KNOB, 3/8-16 THREAD	2
9	264-1033	1/4" SPACER	4
10	290-2780	TERMINAL BOOT, BLACK	2
11	300-01030Z	CRUSH WASHER	1
12	300-01032Z	1-1/4X1-1/4X5/16-18 (50DI) ISOLATOR	6
13	300-2500	24V,IHP,2500 RPM	1
14	300-3032	1-1/4X1-1/2X5/16-18 (50DI) ISOLATOR	4
15	H-017252Z	CB #10-32 X 1-1/4" ZINK	2
16	H-13105	HCS 3/8"- 16 X 1" ZINK	4
17	H-13817	HCS 3/8"- 16 X 2-1/2" ZINK (FULLY THREADED)	2
18	H-21860	CB 5/16"- 18 X 1-3/4" ZINK	2
19	H-29566	FHP 1/4"- 20 X 3/4" ZINK	8
20	H-33622	LW 3/8" ZINK	6
21	H-37015	NYLOK #10-32 ZINK	2
22	H-37021	NYLOK 5/16" - 18 ZINK	12
23	H-73754	BHSCS 1/4 - 20 X 3/4" SS	1
24	H-94254	FHSCS 5/16"- 18 X 3/4" ZINK	4
25	H-K14320	3/16" X 1 1/4" KEY	1
26	M-9565K5	3/4 X 3/4 SQ TUBE PLUG	2

# 24 INCH GROUT DECK



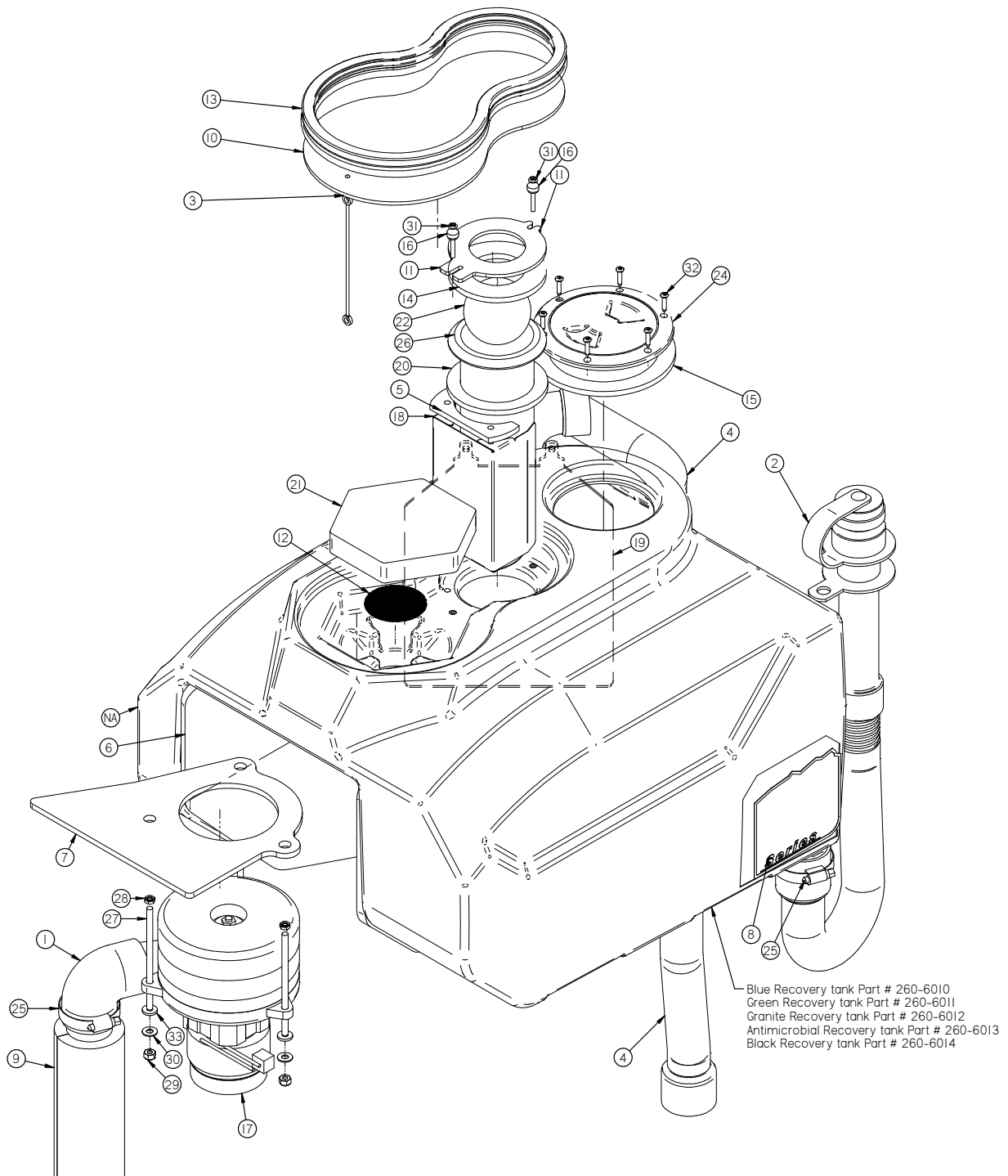
Item	Part No.	Part Description	Qty.	Item	Part No.	Part Description	Qty.
1	21-7570	BACK UP WHEEL (GREY)	2	30	H-0172520	CB #10-32 X 3/4" SS	2
2	253-211	MOTOR, 24V, 3/4 HP, 350 RPM	1	31	H-02309	HCN #10-32 LG CRIMP	4
3	253-8215	TIMING SPROCKET 32 TOOTH	1	32	H-0953152	3/16" X 3/4" KEY	2
4	253-8225	TIMING SPROCKET 68 TOOTH	1	33	H-11121256	3/8" X 4" CLEVIS PIN	2
5	253-8230	565-5M-25 HI-PERFORMANCE PD PLUS BELT	1	34	H-13105	HCS 3/8" - 16 X 1" ZINC	4
6	253-9002	MOTOR ADJ BRACKET	1	35	H-13802	HCS 1/4" - 20 X 1.75" ZINC	2
7	253-9024	THUMB SCREW	2	36	H-17104	HCS 3/8"-24 X 7/8" ZINC	1
8	260-5711	HOPPER FLAP	1	37	H-21795	CB 1/4" - 20 X 5" ZINC	1
9	260-7220	ROLLER WHEEL BRACKET	1	38	H-21800	CB 1/4" - 20 X 5/8" ZINC	9
10	260-7221	ROLLER WHEEL BRACKET (RHI)	1	39	H-21810	CB 5/16" - 18 X 3/4" ZINC	7
11	260-8020	24" STIFFENER	1	40	H-21812	CB 5/16" - 18 X 1-1/4" ZINC	4
12	260-8023	SINGLE BRUSH SIDE SUPPORT	1	41	H-25379	SETScrew, KCP, 1/4"-20 X 1/4"	4
13	260-8024	24" SINGLE BRUSH SHELL	1	42	H-29055	PPH #10-32 X 5/8" ZINC	4
14	260-8025	IDLER DOOR	1	43	H-29506	FHP #10-32 X 1/2" ZINC	8
15	260-8026	DRIVE COVER	1	44	H-29566	FHP 1/4" - 20 X 3/4" ZINC	2
16	260-8370	SPIRAL CYLINDRICAL DRIVER	2	45	H-33006	FW 5/16 ID X 3/4 OD ZINC	4
17	260-9010	CYLINDRICAL WIPER	2	46	H-33008	FW 3/8 ID X 7/8 OD ZINC	11
18	260-9015	WIPER BAND	2	47	H-37015	NYLOK #10-32 ZINC	6
19	260-9062	LIFTING BRACKET	1	48	H-37019	NYLOK 1/4" - 20 ZINC	14
20	260-9063	RIGID LIFT ARM BRACKET	2	49	H-37020	JNYL 1/4" - 20 ZINC	1
21	260-9589	CYLINDRICAL LATERAL ARM	2	50	H-37021	NYLOK 5/16" - 18 ZINC	11
22	260-9600	SCRUBDECK LIFT ARM, GROUT	1	51	H-37126	JNYL 3/8 - 24 ZINC	3
23	370-1247	BUSHING 5/16 X 1/2 X 3/16	8	52	H-73811	BHSCS 3/8" - 16 X 1/2" SS	1
24	370-8240A	BEARING HOUSING/BEARING	1	53	H-90895	WASHER, SERRATED BELLEVILLE, 3/8", S/S	4
25	370-8241A	IDLER DRIVE BEARING	1	54	H-93201	SHCS 1/4"-20 X 1/2 ZINC	3
26	75-246	24" CYLINDRICAL BRUSH	1	55	H-96544	SPRING, 4-1/8" LG, 9/16 OD, (42E)	4
27	H-21153	CB 1/4" - 20 X 1.75" ZINC	2	56	H-K14320	3/16" X 1 1/4" KEY	1
28	H-01125	3/16" X 1" KEY	1	57	H-RUE14	3/8" RUE RING COTTER	2
29	H-0172519	CB #10-32 X 5/8" SS	4	58	M-9434T22	I.O DIA One Hole Tube Clamp	1

# SOLUTION TANK ASSEMBLY



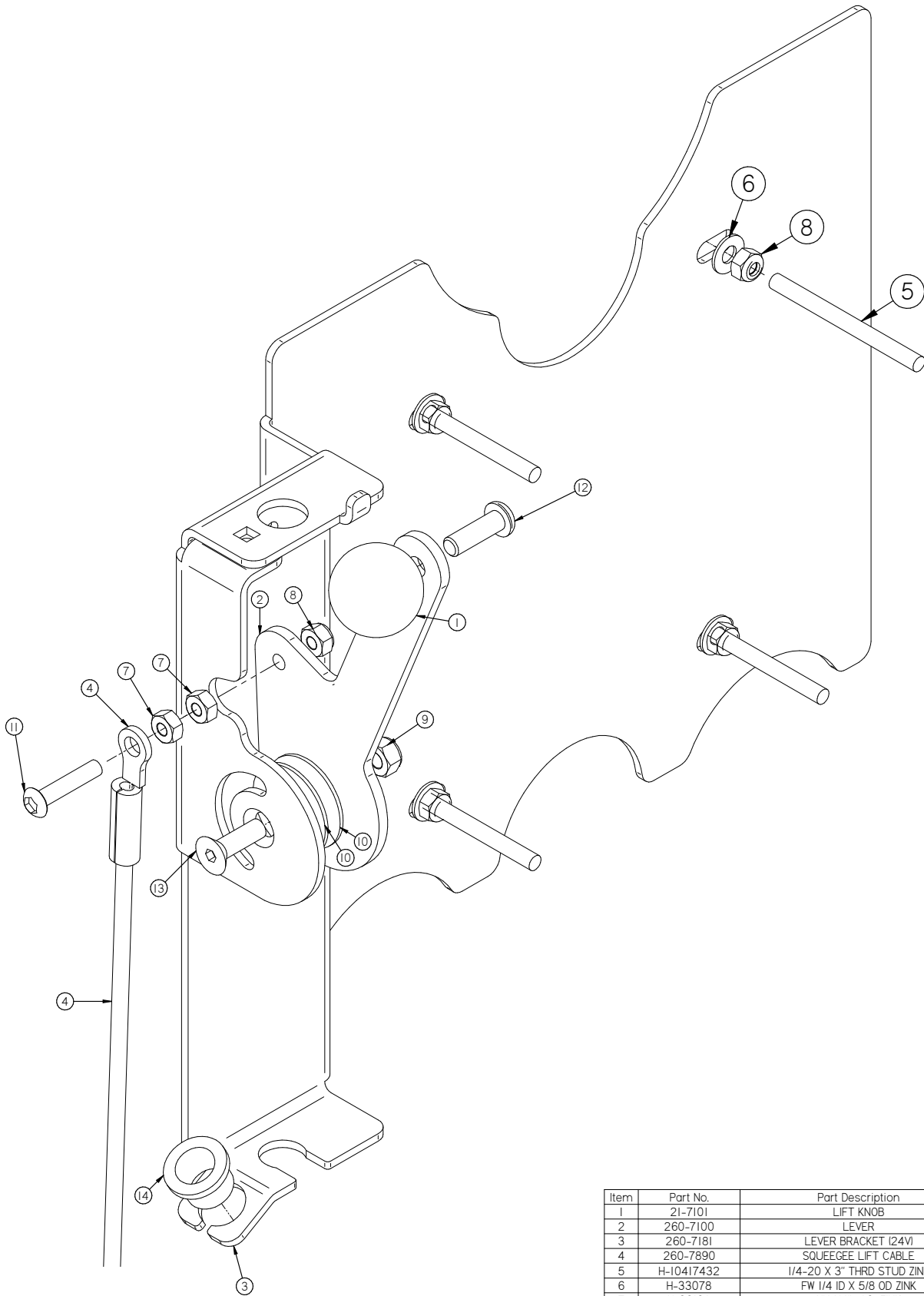
Item	Part No.	Part Description	Qty.	Item	Part No.	Part Description	Qty.
1	260-1128	SOLUTION FILL SCREEN	1	10	600-1220	4" SS HINGE	2
2	260-1130	SK12 SOLUTION FILL CURTIAN	1	11	H-0157797	LW 1/4" ZINK	4
3	260-1142	VAC MOTOR INSULATION	1	12	H-13002	HCS 1/4"-20 X 5/8" ZINK	4
4	260-1523	MODEL DECAL	2	13	H-33078	FW 1/4 ID X 5/8 OD ZINK	4
5	260-7200	"BRAND DECAL"	1	14	H-72399	PPH #8-32 X 5/8" S/S	2
6	260-7201	"BRAND DECAL"	1	15	M-53525K58	1/2 NPT X 1/2" BARB ELBOW, BRASS	1
7	260-8910	SOLUTION FILL BASKET	1	16	M-5463K507	3/4 NPT X 3/8 BARBED X 90 DEG	1
8	4-124	LATCH	1	17	T-025B6000	BULK 1/4" ID X 5' BLUE VAC DRAIN HOSE	1
9	500-1380	FILL HOSE	1				

# RECOVERY TANK ASSEMBLY



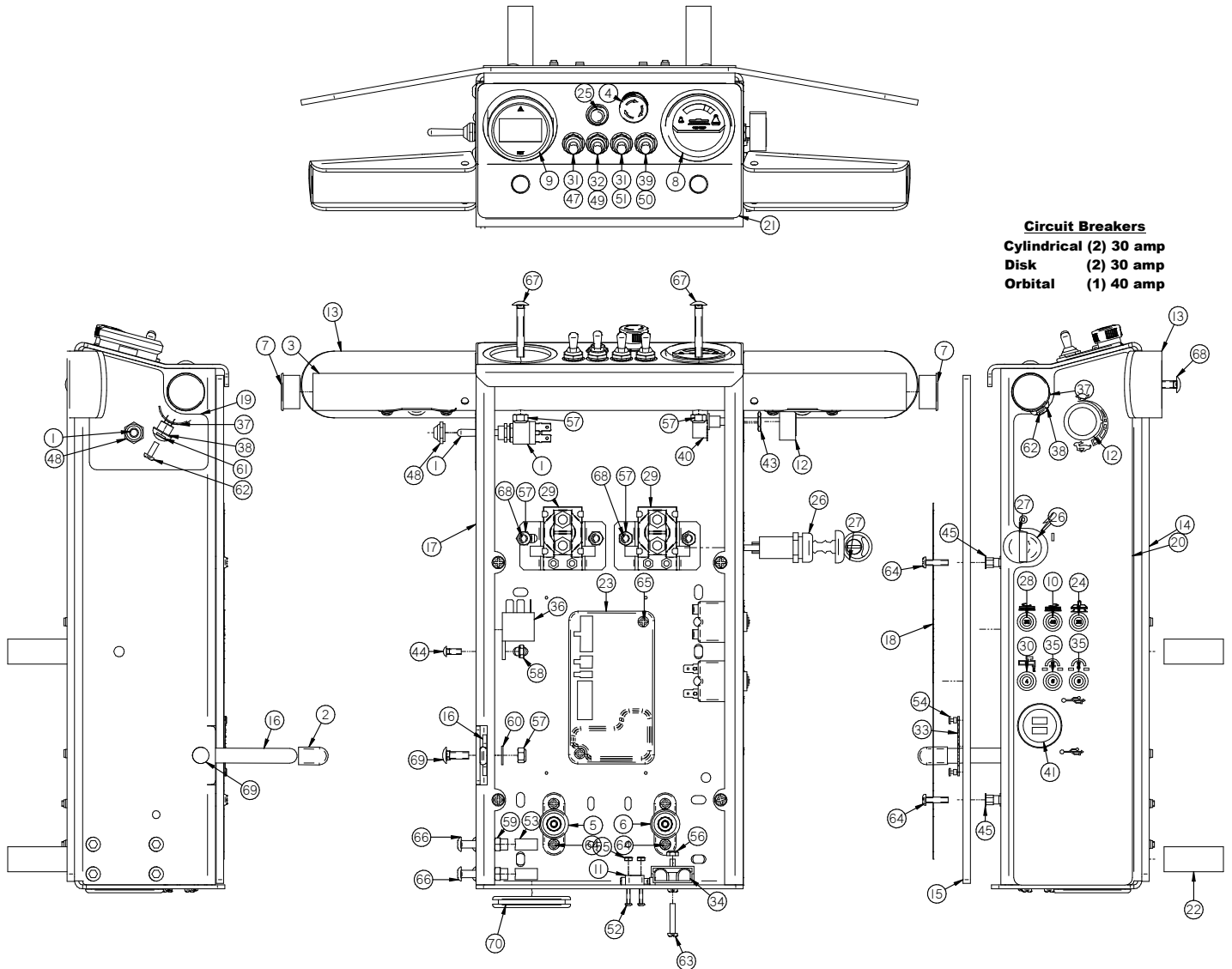
Item	Part No.	Part Description	Qty.	Item	Part No.	Part Description	Qty.
1	150-729I	EXHAUST ELBOW	1	18	260-7000	BAFFLE	1
2	175-7210	DRAIN HOSE	1	19	260-7001	TANK CURTAIN	1
3	21-4060	LANYARD	1	20	260-7380	STRAINER GASKET	1
4	260-0115	SQUEEGEE HOSE	1	21	264-4086	VAC BOX FILTER	1
5	260-1133	TANK GASKET	1	22	38-712	OVERFILL SHUTOFF BALL	1
6	260-1141	VAC MOTOR INSULATION	1	23*	4-124	CLIP, LATCH	1
7	260-1143	VAC MOTOR GASKET	1	24	400-4250	4" Clear Access Port	1
8	260-1520	MODEL DECAL	1	25	5-719	CLAMP 1 9/16 - 2 1/2" SS	2
9	260-2502	VAC MUFFLER	1	26	7-711A	SCREEN STRAINER	1
10	260-4048	REC TANK VAC COVER	1	27	H-10330725	1/4-20 X 5.0" THRD STUD ZINK	3
11	260-4080	BALL FLOAT TOP	1	28	H-37408	KN #10-32 ZINK	3
12	260-4081	VAC SCREEN	1	29	H-70860	NYLOK 1/4"- 20 SS	3
13	260-4100	PUSH-ON RUBBER GASKET	1	30	H-71013	FW 1/4 ID X 5/8 OD SS	3
14	260-4103	BALL FLOAT GASKET	1	31	H-72419	PPH #8-32 X 1-1/4" S/S	2
15	260-4104	4 INCH LID GASKET	1	32	H-72916	PPH SMS #8 X 3/4" SS	6
16	260-4180	8-32 THUMB NUT	2	33	M-90130A029	.25" NEOPRENE WASHER	3
17	260-5251D	36V VAC MOTOR, TANGENTIAL	1				

# SQUEEGEE LIFT BRACKET



Item	Part No.	Part Description	Qty.
1	21-7101	LIFT KNOB	1
2	260-7100	LEVER	1
3	260-7181	LEVER BRACKET (24V)	1
4	260-7890	SQUEEGEE LIFT CABLE	1
5	H-10417432	1/4-20 X 3" THRD STUD ZINK	4
6	H-33078	FW 1/4 ID X 5/8 OD ZINK	4
7	H-36102	HN 1/4"- 20 ZINK	2
8	H-37019	NYLOK 1/4"- 20 ZINK	5
9	H-37021	NYLOK 5/16" - 18 ZINK	1
10	H-921052416	FW 390° X 1-1/2" NYLON	2
11	H-94054	BHSCS 1/4 - 20 X 1-1/2" SS	1
12	H-94071	BHSCS 5/16-18 X 1 ZINK	1
13	H-94256	FHSCS 5/16"- 18 X 1" ZINK	1
14	M-9440T26	625 ID X .75 OD X .625 LG FLANGED BEARING	1

# CENTRAL COMMAND

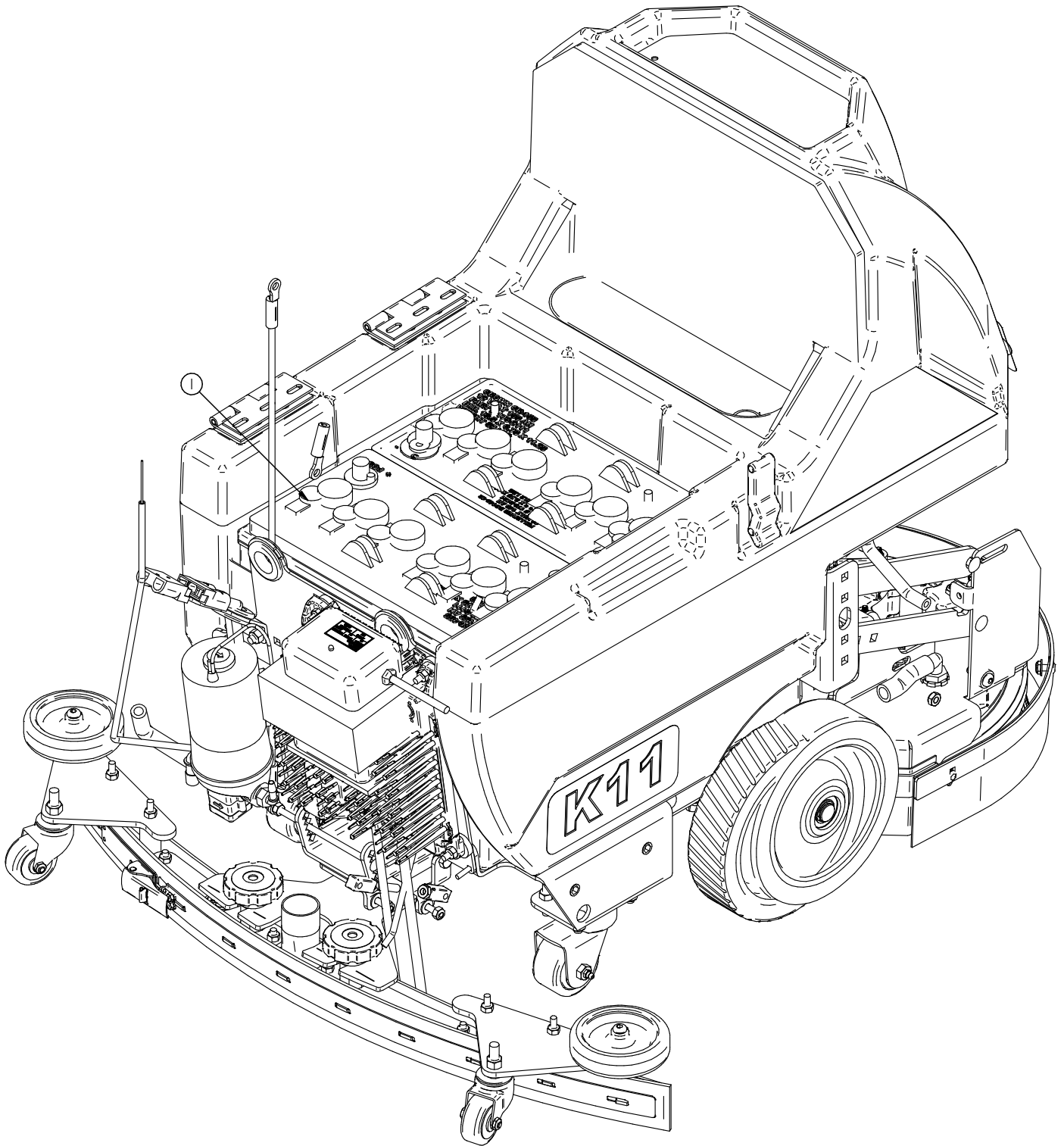


**Circuit Breakers**  
**Cylindrical (2) 30 amp**  
**Disk (2) 30 amp**  
**Orbital (1) 40 amp**

Item	Part No.	Part Description	Qty.	Item	Part No.	Part Description	Qty.
1	150-2830	SWITCH, TOGGLE, MOM/OFF/MOM (DPDT)	1	37	7-228	SWITCH MOUNT PLATE	2
2	150-4480	HANDLE GRIP (BLUE)	1	38	7-229D	PUSH BUTTON SWITCH	2
3	170-1041	HANDLE BAR (DUAL BUTTON)	1	39	7-283	SWITCH, TOGGLE, MOM/OFF/MOM (DPDT)	1
4	175-0300	Emergency stop switch, 51 series, IC/O	1	40	7-292	5K POTENTIOMETER	1
5	175-2700	NEG INSULATOR POST (BLACK)	2	41	700-2590	DUAL USB PORTS	1
6	175-2710	POS INSULATOR POST (RED)	2	42*	H-00282	FW 1/4" NYLON	2
7	190-1390	END CAP	2	43	H-0147994	3/8-32 X 1/2 PANEL NUT	1
8	190-4852	BRUSH PRESSURE GAUGE, 40 AMP	1	44	H-0172518	CB #10-32 X 1/2" SS	1
9	190-4855	24V BATTERY AND HOUR METER	1	45	H-1032HCN	HCN #10-32	10
10	190-9609	FUSE, RESETTABLE, 40 AMP	1	46*	H-108	HEAT SHRINK	4
11	21-2230	MICRO SWITCH	1	47	H-11195	PROTECTIVE BOOT, TOGGLE SWITCH, (WHITE)	1
12	21-4520	SPEED CONTROL KNOB, RED	1	48	H-11196	PROTECTIVE BOOT, TOGGLE SWITCH, (RED)	1
13	260-1293	HAND GUARD	1	49	H-11199	PROTECTIVE BOOT, TOGGLE SWITCH, (BLUE)	1
14	260-2000	CONTROL PANEL WEIGHT	1	50	H-11200	PROTECTIVE BOOT, TOGGLE SWITCH, (BLACK)	1
15	260-2001	CONTROL PANEL COVER	1	51	H-11201	PROTECTIVE BOOT, TOGGLE SWITCH, (GRAY)	1
16	260-2003	VALVE LEVER (24V CC)	1	52	H-28667	PHP MS 4-40 X 3/4"	2
17	260-2011	CENTRAL COMMAND	1	53	H-33372	SHAFT COLLAR, 3/8" ID	4
18	260-2021	CENTRAL COMMAND STICKER (FRONT)	1	54	H-41007	AB4-3A BLIND RIVET	4
19	260-2021	CENTRAL COMMAND STICKER (LH SIDE)	1	55	H-70854	NYLOK #4-40 SS	2
20	260-2021	CENTRAL COMMAND STICKER (RH SIDE)	2	56	H-70856	NYLOK #8-32 SS	2
21	260-2021	CENTRAL COMMAND STICKER (TOP)	1	57	H-70860	NYLOK 1/4" - 20 SS	9
22	260-2701	CENTRAL COMMAND SPACER	4	58	H-70923	KN #10-32 SS	3
23	260-2898	IDRIVE 24V/36V, 70 AMP CONTROLLER	1	59	H-70925	KN 1/4-20 S/S	4
24	260-8270	FUSE RESETTABLE, 20 AMP	1	60	H-71013	FW 1/4 ID X 5/8 OD SS	1
25	290-2310	FULL RECOVERY (RED)	2	61	H-71057	LW #8, SS	4
26	290-234	KEY SWITCH (WITH KEY)	1	62	H-72398	PPH #8-32 X 1/2" S/S	4
27	290-234A	KEY SET (REPLACE)	1	63	H-72418	PPH #8-32 X 1" S/S	2
28	290-9609	FUSE, RESETTABLE, 30 AMP	2	64	H-72534	PPH #10-32 X 3/4" S/S	8
29	349-2331	RELAY, 24V, SMALL, W/FLAT MTG PLATE	2	65	H-72536	PPH #10-32 X 1" S/S	2
30	349-9604	FUSE, RESETTABLE, 4 AMP, 50V DC MAX	1	66	H-73752	BHSCS 1/4 - 20 X 1/2" SS	4
31	370-8210	SWITCH, TOGGLE, ON/ON (DPDT)	2	67	H-74396	CB 1/4"- 20 X 1-3/4" SS	2
32	370-8920	TOGGLE, ON-OFF SPST	1	68	H-74418	CB 1/4"- 20 X 5/8" S/S	6
33	4-101	SERIAL NUMBER PLATE	1	69	H-74419	CB 1/4"- 20 X .75" SS	1
34	4-259	CONNECTOR, RED 50, HOUSING ONLY	1	70	H-9307K99	GROMMET, 2" ID X 2-5/8" OD	1
35	4-284	FUSE, RESETTABLE, 6 AMP, 50V DC MAX	2				
36	5-293	15 AMP RELAY	2				

# BATTERY PACK AND CHARGERS

Item	Part No.	Part Description	Qty.
------	----------	------------------	------

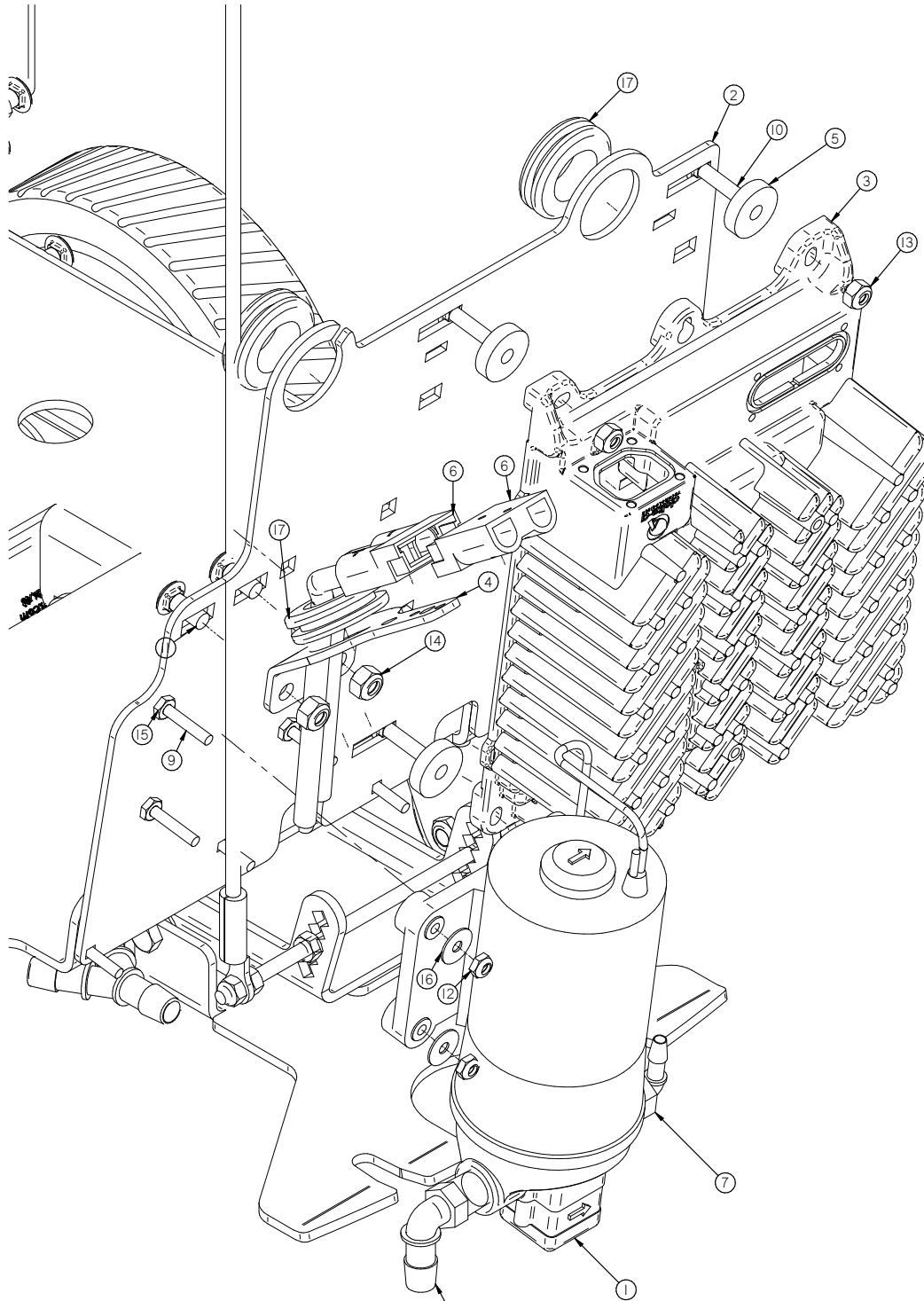


**See charger operator manuals for proper programming**

## WHICH BATTERY CHARGER TO USE WITH BATTERY SELECTION

Battery Part Number & Description	Off-Board Charger	On-Board Charger	Optional On-Board Charger
170-2120 115AH Full River	170-2440	170-2451	175-2460
170-2121 140AH Full River	170-2440	170-2451	264-2460

# OPTIONS

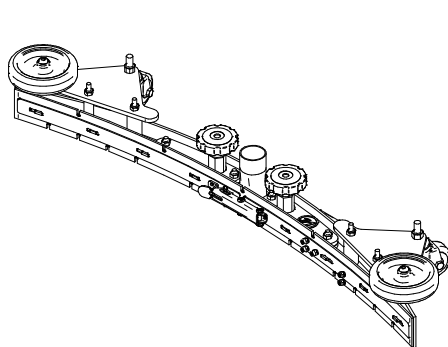
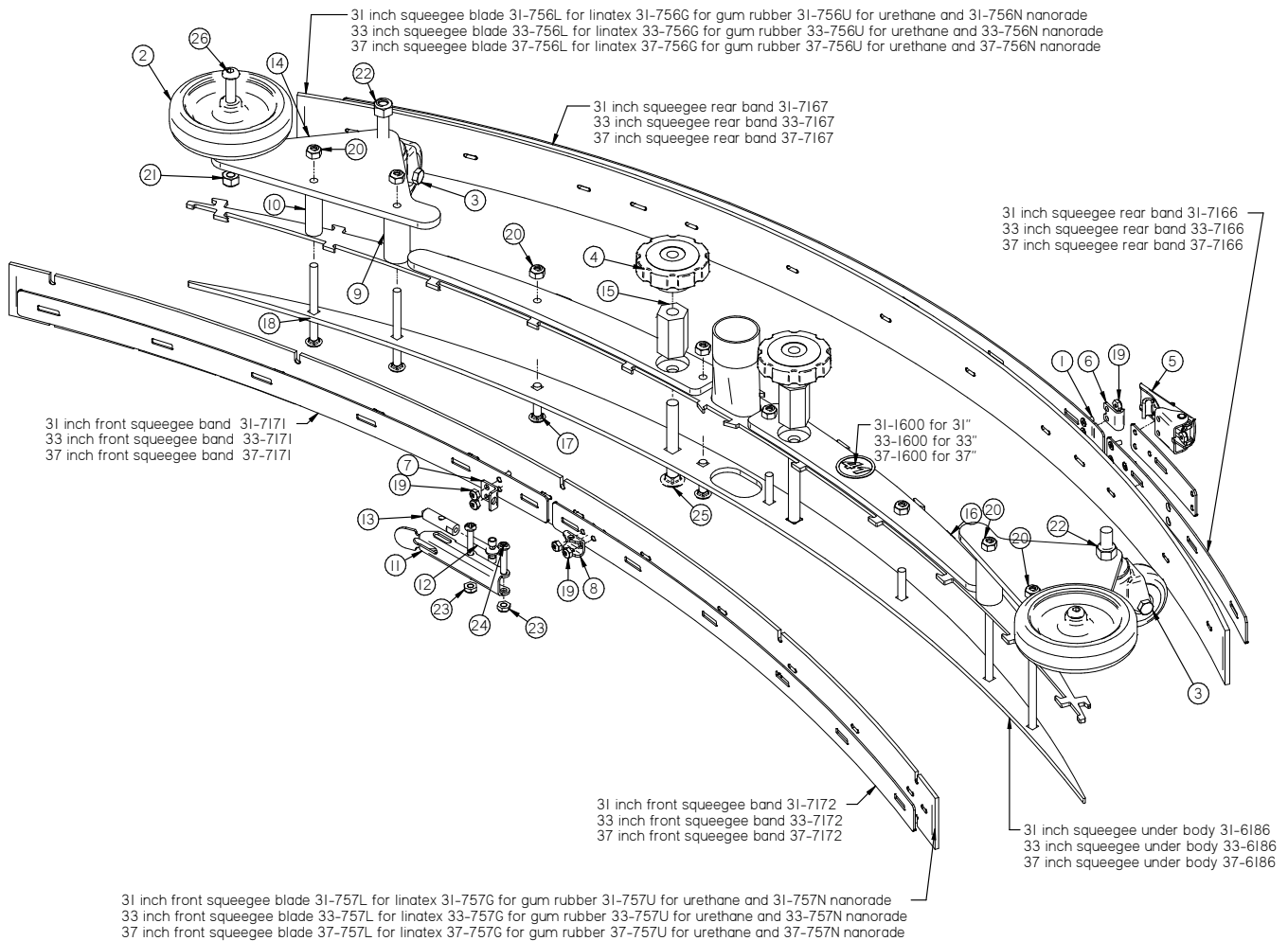


Item	Part No.	Part Description	Qty.
1	8253-8910	PUMP, WATER JET	1
2	260-1014	UTILITIES PLATE SK11	1
3	264-2440	ONBOARD CHARGER	1
4	264-9516	CHARGER CONECTOR BRACKET	1
5	300-01033Z	20 & 28" SPACER	3
6	4-259	CONNECTOR, RED 50, HOUSING ONLY	2
7	400-1225	.375 NPT X .25 BARB X 90 DEG	1
8	H-04763	ELBOW, 90 DEG X 3/8" MNPT X 1/2" BARB, NYLON	1
9	H-21057	CB #10-24 X 1-1/4" ZINK	3
10	H-21157	CB 1/4"- 20 X 1.25" ZINK	4
11	H-21810	CB 5/16"- 18 X 3/4" ZINK	2
12	H-37015	NYLOK #10-32 ZINK	4
13	H-37019	NYLOK 1/4"- 20 ZINK	2
14	H-37021	NYLOK 5/16"- 18 ZINK	2
15	H-37408	KN #10-32 ZINK	1
16	H-71010	FW #10 ID X 11/16 OD SS	4
17	H-9307K74	GROMMET, 1" ID X 1-3/4" OD BUNA-N	3

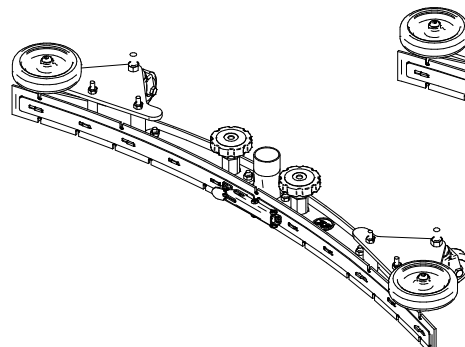


# SQUEEGEES

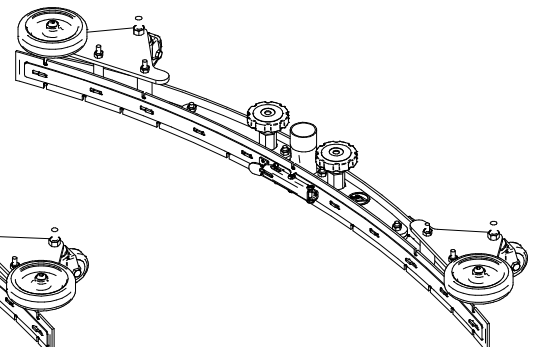
Item	Part No.	Part Description	Qty.	Item	Part No.	Part Description	Qty.
1		FHSCS #6-32 X 3/8" S/S	9	14	35-7183	SQUEEGEE CASTER BRACKET	2
2	150-7600	4" SIDE WHEEL (GREY)	2	15	35-8460	STANDOFF, 1.5"	2
3	253-7570	CASTER	2	16	45-6187	SQUEEGEE WEIGHT	2
4	260-5786	STAR KNOB, 3/8-16 THREAD	2	17	H-21157	CB 1/4"- 20 X 1.25" ZINK	4
5	29-7164	LATCH	1	18	H-21165	CB 1/4"- 20 X 3.0" ZINK	4
6	29-7168	BAND CLIP	1	19	H-37010	NYLOK #6-32 SS	9
7	29-7170	FRONT BAND CLIP	1	20	H-37019	NYLOK 1/4"- 20 ZINK	8
8	29-7173	FRONT BAND CLIP	1	21	H-37021	NYLOK 5/16" - 18 ZINK	2
9	35-0007	SQUEEGEE ROLLER SPACER	2	22	H-37025	NYLOK 3/8"-16 ZINK	2
10	35-0008	SQUEEGEE ROLLER SPACER	2	23	H-70858	NYLOK #10-32 SS	2
11	35-0125	LATCH BODY	1	24	H-72536	PPH #10-32 X 1" S/S	2
12	35-0125-03	1/4-20 X 3.00 LG EYE BOLT, FULL THREAD	1	25	H-74441	CB 3/8"- 16 X 3.0" SS	2
13	35-0126	RAM TIP	1	26	H-94074	BHSCS 5/16-18 X 1.75 ZINK	2



31 INCH SQUEEGEE ASSEMBLY 231-7180



33 INCH SQUEEGEE ASSEMBLY 233-7180



37 INCH SQUEEGEE ASSEMBLY 237-7180

## COMMON WEAR PARTS

---

### EDGE PADS AND SCREENS:

DESCRIPTION	20"×14" SCRUBDECK	24"×14" SCRUBDECK
White Pad	EDGE-4005	N/A
Red Pad	EDGE-4004	EDGE-2404
Blue Pad	EDGE-4003	EDGE-2403
Green Pad	EDGE-4002	EDGE-2402
Black Pad	EDGE-4001	EDGE-2401
White Driver Pad	EDGE-4025	N/A
60 Grit Sand Screen	N/A	N/A
80 Grit Sand Screen	N/A	N/A
100 Grit Sand Screen	N/A	N/A
120 Grit Sand Screen	N/A	N/A
150 Grit Sand Screen	N/A	N/A
400 Grit HD Non Woven Polishing Pad	N/A	N/A
800 Grit HD Non Woven Polishing Pad	N/A	N/A
1500 Grit HD Non Woven Polishing Pad	N/A	N/A
3000 Grit HD Non Woven Polishing Pad	N/A	N/A
6000 Grit Diamond Poly Pad	N/A	N/A
Tile/Grout Renovator Pad	EDGE-4069	N/A
Dominator HD Strip Pad	EDGE-4006	N/A
Maroon ECO Prep Pad	EDGE-4007	EDGE-2407
Microfiber Pad	EDGE-4036	EDGE-2436

**ROUND DISK BRUSHES:**

<b>NOTICE</b>
The ## in Disk Column Denotes Desk Pad Size: 17" or 20"

BRUSHES	DISK	LEVEL
Midi Grit	706-##C	Medium
Light Grit	706-##PS	Moderate
Nylon	706-##N	Light
Pad Driver	706-##D	
Pad Driver Pad Retainer	#40-433	
Pad Driver Spring Clip	#40-423	

**ROUND DISK PADS:**

<b>NOTICE</b>
The ## in Disk Column Denotes Desk Pad Size: 17" or 20"

DISK PADS	DISK	LEVEL	COLOR
Super Black	##-422BB	Very High	Black
Black	##-422B	High	Black
Brown	##-422BR	High	Brown
Green	##-422G	Medium	Green
Blue	##-422BL	Moderate	Blue
Red	##-422R	Moderate	Red
White	##-422W	Light	White

**CYLINDRICAL BRUSHES:**

BRUSHES	MODEL 26" CYLINDRICAL	LEVEL
Midi Grit	75-246C	Medium
Light Grit	75-246PS	Moderate
Nylon	75-246N	Light

## COMMON WEAR PARTS

### SQUEEGEE BLADE KITS & COMPLETE SQUEEGEE ASSEMBLIES:

SQUEEGEE SIZE	17" DECK	20" DECK	24" DECK
31" Squeegee	Standard	N/A	N/A
33" Squeegee	N/A	Standard	N/A
37" Squeegee	N/A	N/A	Standard

SQUEEGEE SIZE	LINATEX BLADE KIT	GUM RUBBER BLADE KIT	URETHANE BLADE KIT	NANORADE BLADE KIT	COMPLETE SQUEEGEE ASSEMBLIES
31" Squeegee	231-770L	231-770G	231-770U	231-756N	231-7180
33" Squeegee	233-770L	233-770G	233-770U	233-756N	233-7180
37" Squeegee	237-770L	237-770G	237-770U	237-756N	237-7180

SQUEEGEE MATERIAL:	USED FOR:
LINATEX	Provides best wear and tear resistance. Not designed for use with harsh chemicals.
URETHANE	Provides best resistance when dealing with harsh chemicals, oils, fuels, etc.
GUM	Provides best drying performance on rough/grouted floor types by sealing over irregularities. Short life.
NANORADE	Increased durability, optimal water pick up and reduced friction.

#### NOTICE

Squeegee blade kits include (1) Rear Blade, (1) Front Blade, and (2) Caster Wheels with hardware.

#### NOTICE

Squeegee Assemblies (complete) listed above all come with Nanorade blades.

#### NOTICE

Size is denoted by label on top squeegee.



**BLANK**

THIS PAGE WAS INTENTIONALLY LEFT BLANK

