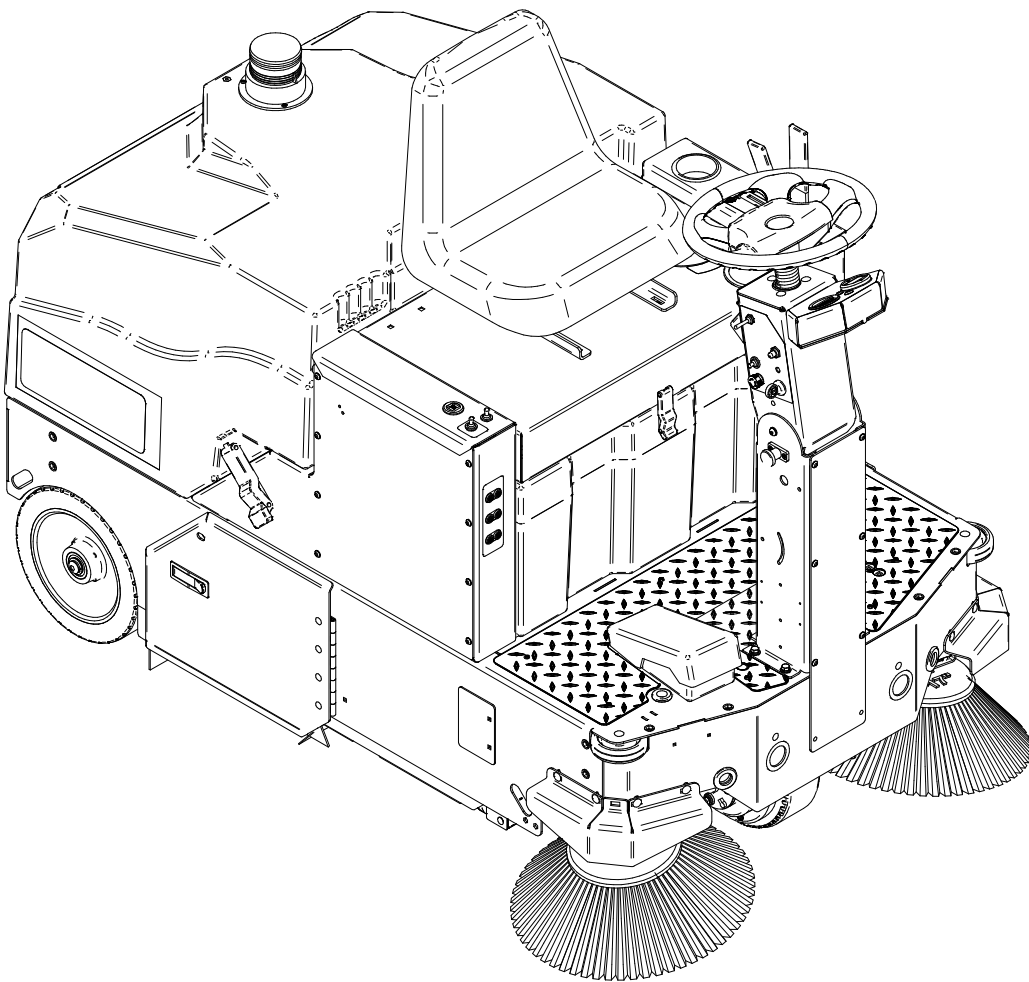




Parts Manual (EN)



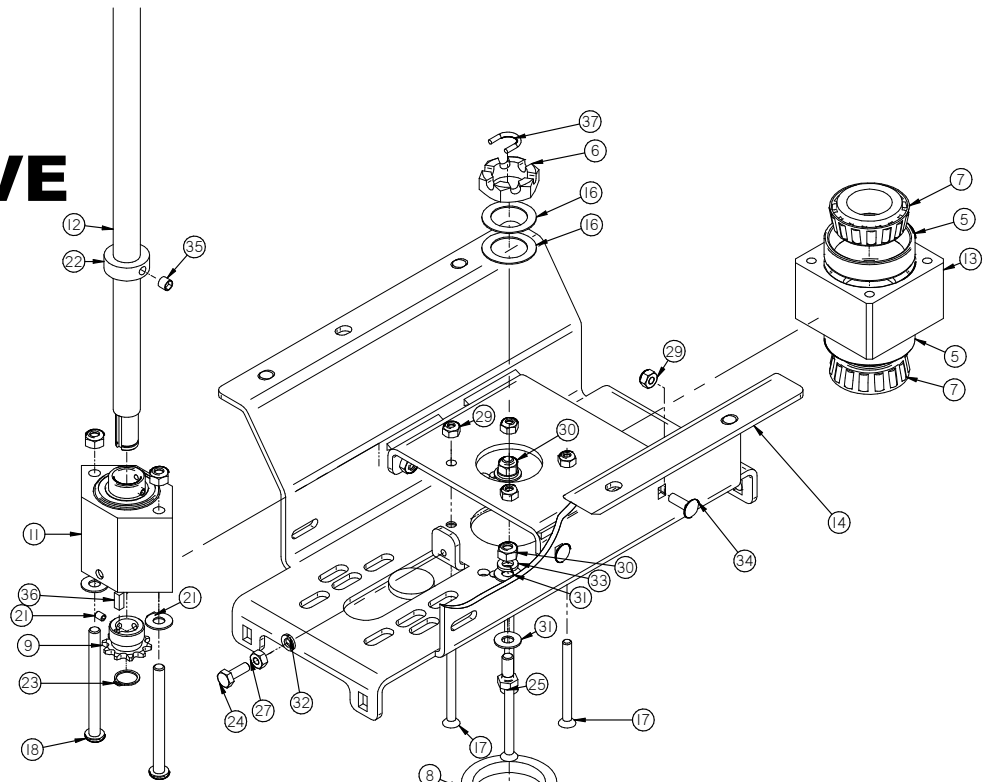
Read the Operators Manual
before using the machine.



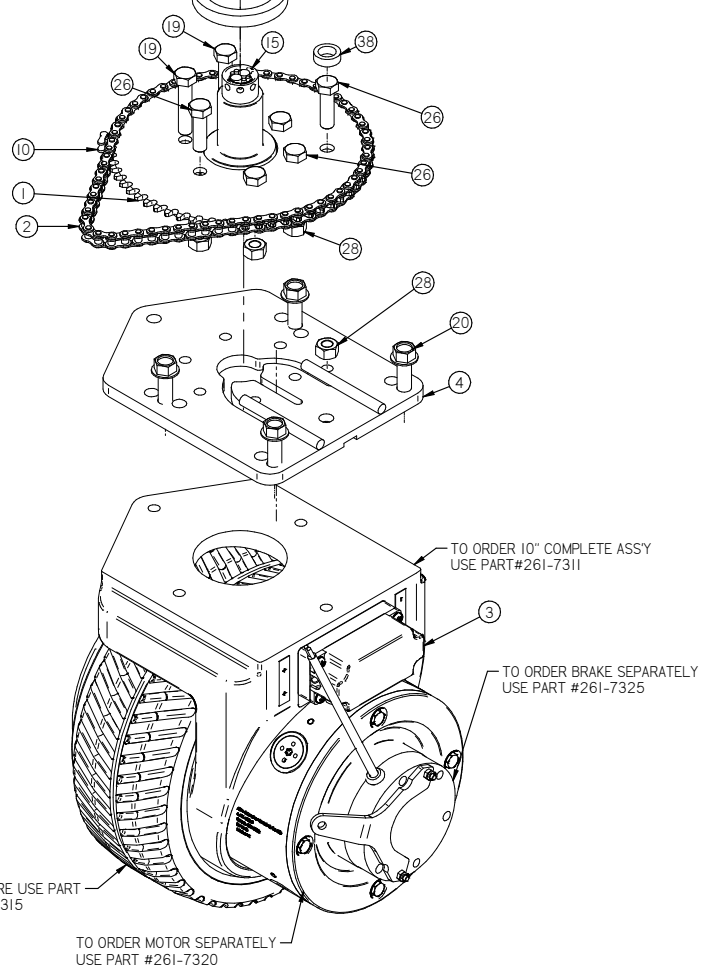
Read the Safety Messages before
servicing machine.

10 inch Front Wheel.....	4
10 inch Front Wheel (HD Optional).....	5
Side Brooms	6
Front Wheel and Side Brooms	7
Main Broom Driver and Idler Arm	8
Main Broom Driver and Idler Arm	9
Hopper	10
Rear Axle and Doors.....	11
Military Steering tower.....	12
Steering tower and foot pedal.....	13
Filter Box and Seat	14
Military Central Command.....	15
Military Main broom/Side broom lift box.....	16
Filter Box and Panels	17
Main Broom Motor.....	18
Jack shaft.....	19
Main Broom motor, Jack Shaft and On board Charger.....	20
Batteries	21
Rear Hood Vac Box	22
Rear hood and Batteries	23
Over head Guard and Options	24
Common Wear Parts.....	25
Decal Kit.....	26
Wiring Schematic	27

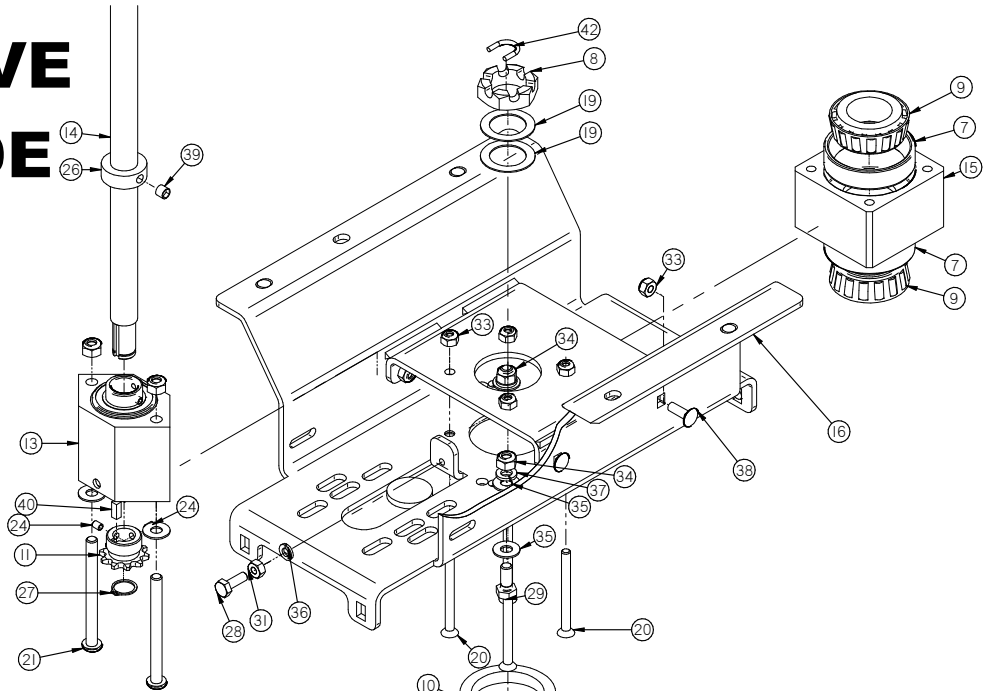
10" FRONT WHEEL DRIVE STANDARD



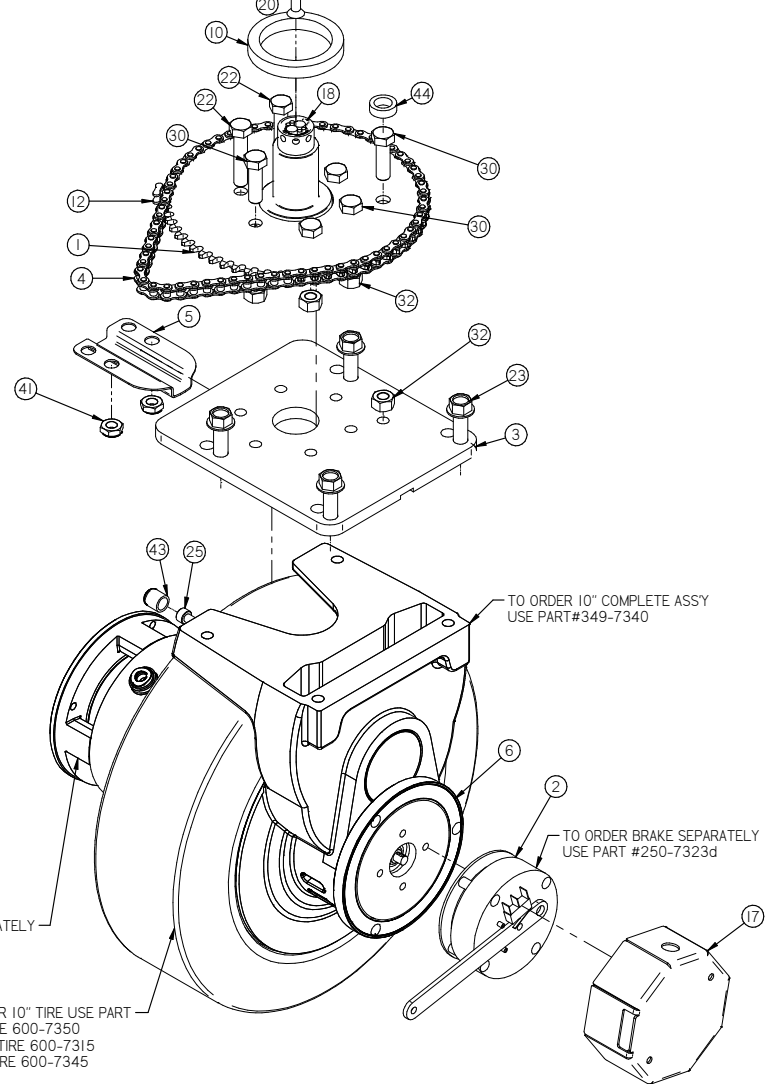
Item	Part No.	Part Description	Qty.
1	250-7314	60 TOOTH STEERING SPROCKET	1
2	250-7327	STEERING CHAIN	1
3	261-7311	FRONT WHEEL DRIVE CCL (24V)	1
4	261-7326	PIVOT PLATE (CCL)	1
5	37-7318	TAPERED BEARING CUP	2
6	37-7321	SLOTTED NUT, 2.0 - 12	1
7	370-7317	TAPERED ROLLER BEARING	2
8	370-8374	BEARING SEAL	1
9	5-826	10 TOOTH SPROCKET 5/8 SHAFT	1
10	5-831	MASTER LINK	1
11	500-7231A	BEARING W/HOUSING	1
12	600-7120	STEERING SHAFT, LOWER	1
13	600-7230	BEARING BLOCK	1
14	600-7316	FRONT DRIVE DROP PLATE	1
15	600-7332	STEERING SPINDLE	1
16	8-713	1 1/2" THRUST WASHER	2
17	H-0170132	FHP 1/4" - 20 X 2-3/4"	4
18	H-0171294	BHSCS 5/16-18 X 3.5	2
19	H-0172948	HCS 3/8"- 24 X 1-3/4" SS FULL THREADED	2
20	H-11115680	FB CASHD M10-I.5 X 30mm	4
21	H-25306	SSS CP #10-32 X 1/4"	2
22	H-33376	SHAFT COLLAR, 3/4" ID X 9/16 LG	1
23	H-68013	SNAPRING	1
24	H-70003	HCS 1/4"-20 X 3/4" SS	1
25	H-70053	HCS 5/16"- 18 X 3/4" SS	2
26	H-70143	HCS 3/8"- 24 X 1-1/4" SS FULL THREADED	5
27	H-70710	HN 1/4"- 20 SS	1
28	H-70732	HN 3/8"- 24 SS	5
29	H-70860	NYLOK 1/4"- 20 SS	6
30	H-70861	NYLOK 5/16"- 18 SS	4
31	H-71015	FW 5/16 ID X 3/4 OD SS	6
32	H-71063	LW 1/4" SS	1
33	H-71065	LW 5/16" SS	2
34	H-74419	CB 1/4"- 20 X .75" SS	2
35	H-81983	5/16" X 1/4" KURL SET SCREW	1
36	H-K1432	3/16" X 1/2" KEY	1
37	M-9381T24	S-HOOK	1
38	T-050R0025	CLEAR TUBING	1



10" FRONT WHEEL DRIVE HD UPGRADE



Item	Part No.	Part Description	Qty.
1	250-7314	60 TOOTH STEERING SPROCKET	1
2	250-7323	PARKING BRAKE	1
3	250-7326	PIVOT PLATE	1
4	250-7327	48 TOOTH STEERING CHAIN	1
5	250-7328	WIRE GUIDE	1
6	349-7340	12 INCH 24V DRIVE	1
7	37-7318	TAPERED BEARING CUP	2
8	37-7321	SLOTTED NUT, 2.0 - 12	1
9	370-7317	TAPERED ROLLER BEARING	2
10	370-8374	BEARING SEAL	1
11	5-826	10 TOOTH SPROCKET 5/8 SHAFT	1
12	5-831	MASTER LINK	1
13	500-7231A	BEARING W/HOUSING	1
14	600-7120	STEERING SHAFT, LOWER	1
15	600-7230	BEARING BLOCK	1
16	600-7316	FRONT DRIVE DROP PLATE	1
17	600-7324	BRAKE COVER	1
18	600-7332	STEERING SPINDLE	1
19	8-713	1 1/2" THRUST WASHER	2
20	H-0170132	FHP 1/4"- 20 X 2-3/4"	4
21	H-0171294	BHSCS 5/16"-18 X 3.5	2
22	H-0172948	HCS 3/8"- 24 X 1-3/4" SS FULL THREADED	2
23	H-11115680	FB CASHD M10-1.5 X 30mm	4
24	H-25306	SSS CP #10-32 X 1/4"	2
25	H-2550010	SHCS M-6 X 10	1
26	H-33376	SHAFT COLLAR, 3/4" ID X 9/16 LG	1
27	H-68013	SNAPRING	1
28	H-70003	HCS 1/4"-20 X 3/4" SS	1
29	H-70053	HCS 5/16"- 18 X 3/4" SS	2
30	H-70143	HCS 3/8"- 24 X 1-1/4" SS FULL THREADED	5
31	H-70710	HN 1/4"- 20 SS	1
32	H-70732	HN 3/8"- 24 SS	5
33	H-70860	NYLOK 1/4"- 20 SS	6
34	H-70861	NYLOK 5/16"- 18 SS	4
35	H-71015	FW 5/16 ID X 3/4 OD SS	6
36	H-71063	LW 1/4" SS	1
37	H-71065	LW 5/16" SS	2
38	H-74419	CB 1/4"- 20 X .75" SS	2
39	H-81983	5/16" X 1/4" KURL SET SCREW	1
40	H-K1432	3/16" X 1/2" KEY	1
41	H-NJ06C	JNYL 3/8- 16 SS	2
42	M-9381T24	S-HOOK	1
43	M-9753K16	VINYL CAP, 1/2"	1
44	T-050R0025	CLEAR TUBING	1

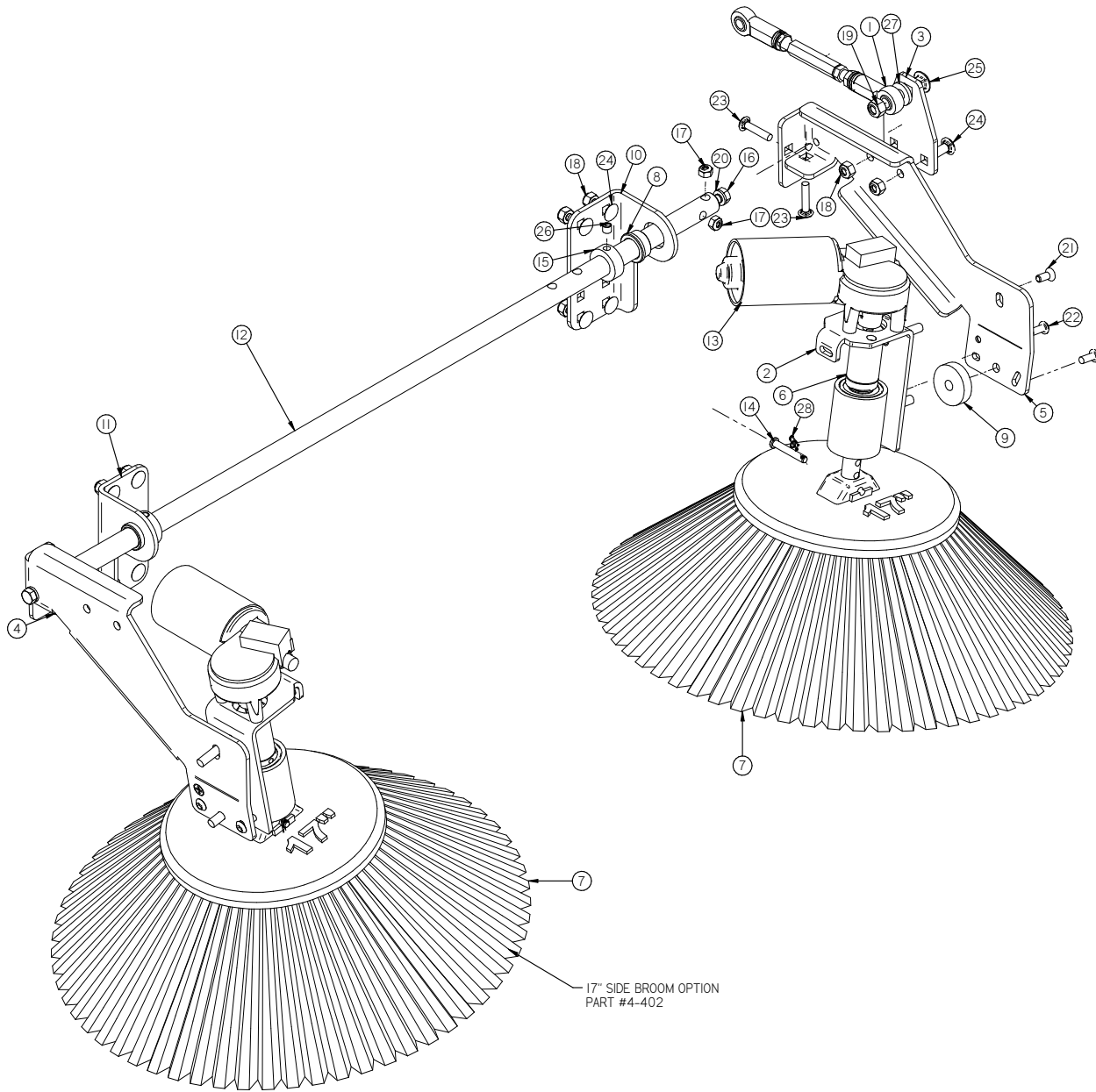


TO ORDER MOTOR SEPARATELY
USE PART #349-7311

TO ORDER 10" TIRE USE PART
GREY TIRE 600-7350
PURPLE TIRE 600-7315
BLACK TIRE 600-7345

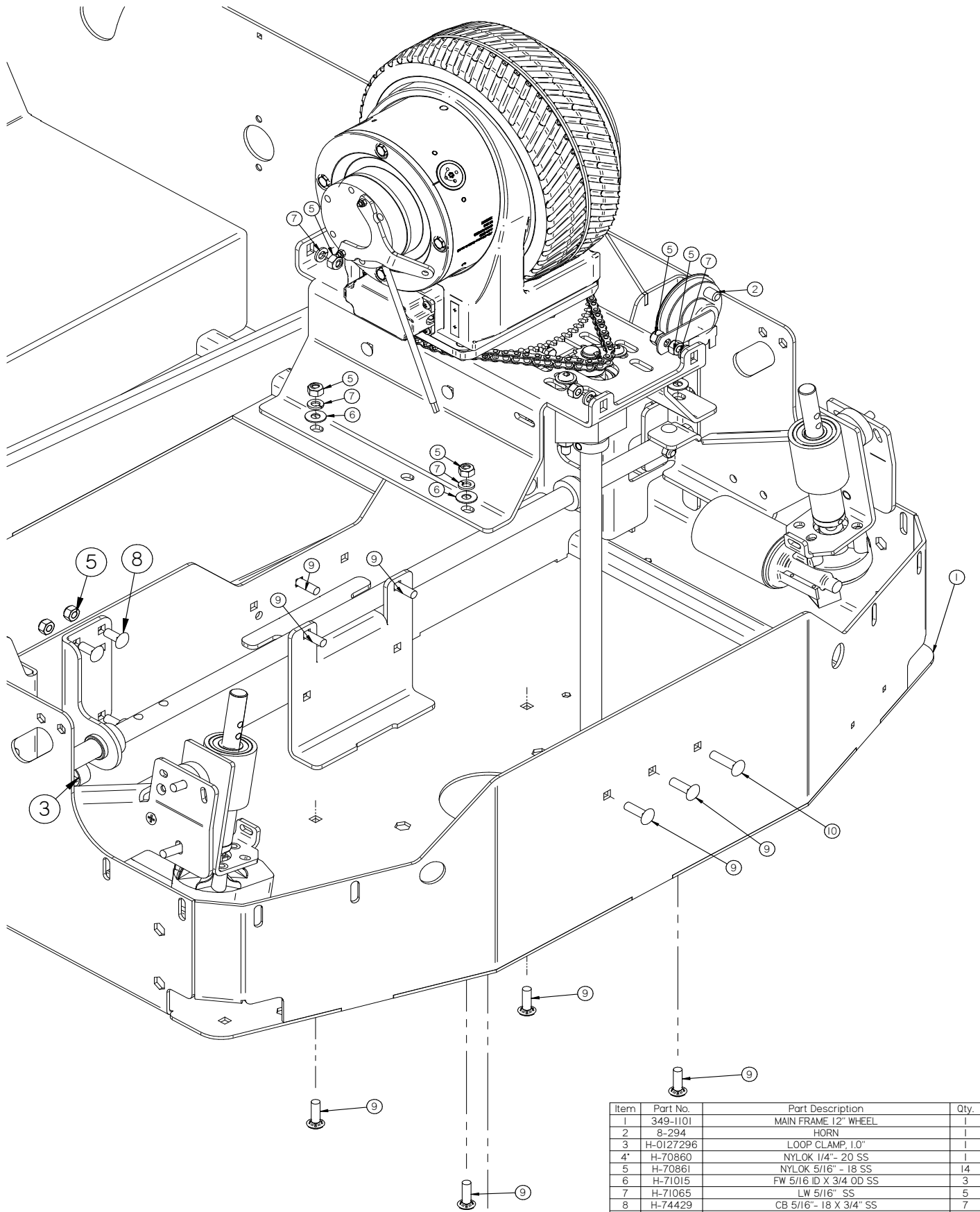
TO ORDER 10" COMPLETE ASSY
USE PART #349-7340

TO ORDER BRAKE SEPARATELY
USE PART #250-7323d



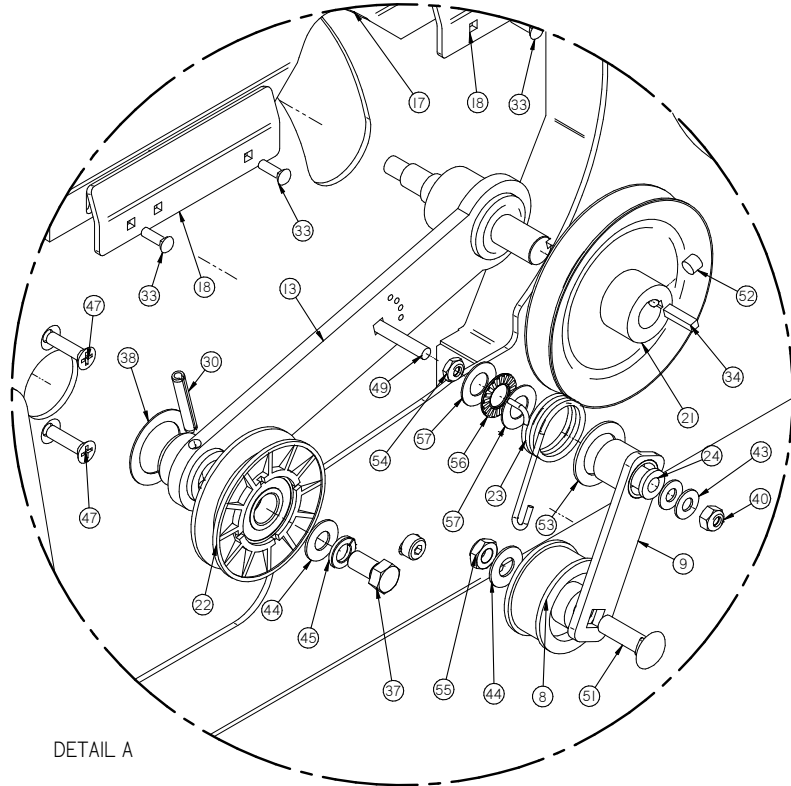
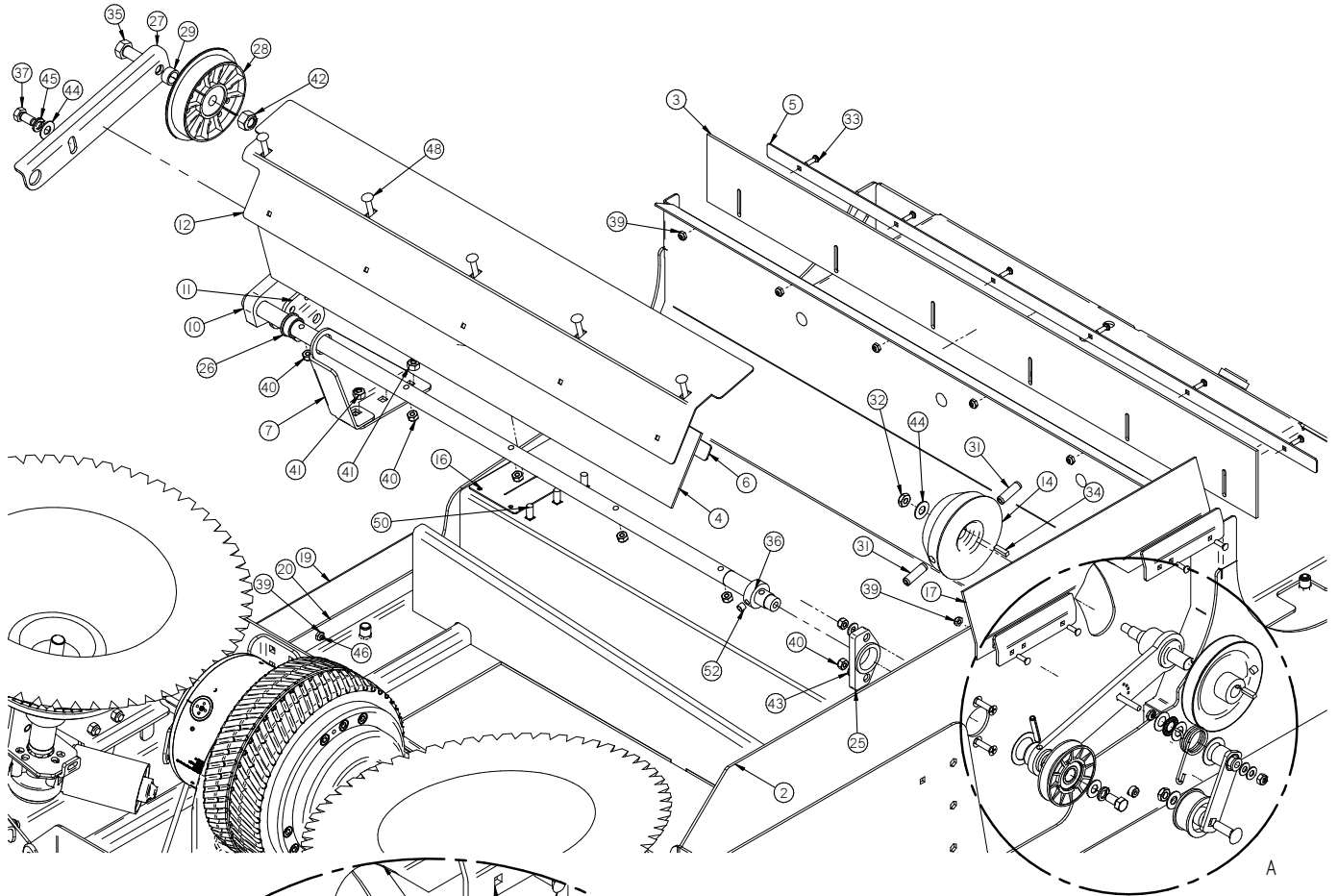
Item	Part No.	Part Description	Qty.
1	253-8440	ADJUSTABLE LATERAL ARM	1
2	290-8750B	MOTOR MOUNT ASSEMBLY	2
3	349-4419	SIDE BROOM LIFT BRACKET	1
4	349-4420	IRHI SIDE BROOM LIFT ARM	1
5	349-4421	ILHI SIDE BROOM LIFT ARM	1
6	4-223	BROOM SAFETY DRIVE CPLG	2
7	4-402	SIDE BROOM POLYPROPYLENE	2
8	4-4230	3/4" X 1" X 1/2" FLG BEARING	2
9	4-446	GROMMET-3/8 ID X 1-1/2 OD X .375	1
10	650-4630	SIDE BROOM AXLE BRACKET (LHI)	1
11	650-4631	SIDE BROOM AXLE BRACKET (RHI)	1
12	700-4621	SIDE BROOM AXLE SHAFT	1
13	8-220	SIDE BROOM MOTOR	2
14	H-0156730	1/4" X 1 1/2" CLEVIS PIN	2
15	H-33376	SHAFT COLLAR, 3/4" ID X 9/16 LG	2
16	H-70053	HCS 5/16" - 18 X 3/4" SS	2
17	H-70860	NYLOK 1/4" - 20 SS	2
18	H-70861	NYLOK 5/16" - 18 SS	7
19	H-70862	NYLOK 3/8" - 16 SS	1
20	H-71065	LW 5/16" SS	2
21	H-72706	FHP 1/4" - 20 X 5/8" SS	2
22	H-73753	BHSCS 1/4" - 20 X 5/8" SS	4
23	H-74421	CB 1/4" - 20 X 1-1/4" SS	2
24	H-74429	CB 5/16" - 18 X 3/4" SS	9
25	H-74438	CB 3/8" - 16 X 1-1/2" SS	1
26	H-81983	5/16" X 1/4" KURL SET SCREW	2
27	H-98025	FW 3/8" GRADE 8	1
28	H-RUE8	RUE RING COTTER	2

Front Wheel and Side Brooms

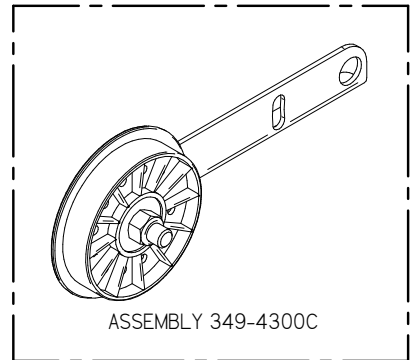


Item	Part No.	Part Description	Qty.
1	349-1101	MAIN FRAME 12" WHEEL	1
2	8-294	HORN	1
3	H-0127296	LOOP CLAMP, 1.0"	1
4*	H-70860	NYLOK 1/4" - 20 SS	1
5	H-70861	NYLOK 5/16" - 18 SS	14
6	H-71015	FW 5/16 ID X 3/4 OD SS	3
7	H-71065	LW 5/16" SS	5
8	H-74429	CB 5/16" - 18 X 3/4" SS	7
9	H-74430	CB 5/16" - 18 X 1" SS	9
10	H-74431	CB 5/16" - 18 X 1-1/4" SS	1

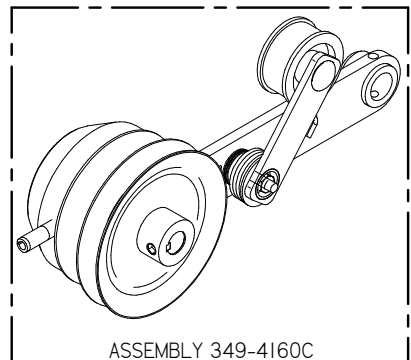
Main Broom Driver and Idler Arm



DETAIL A



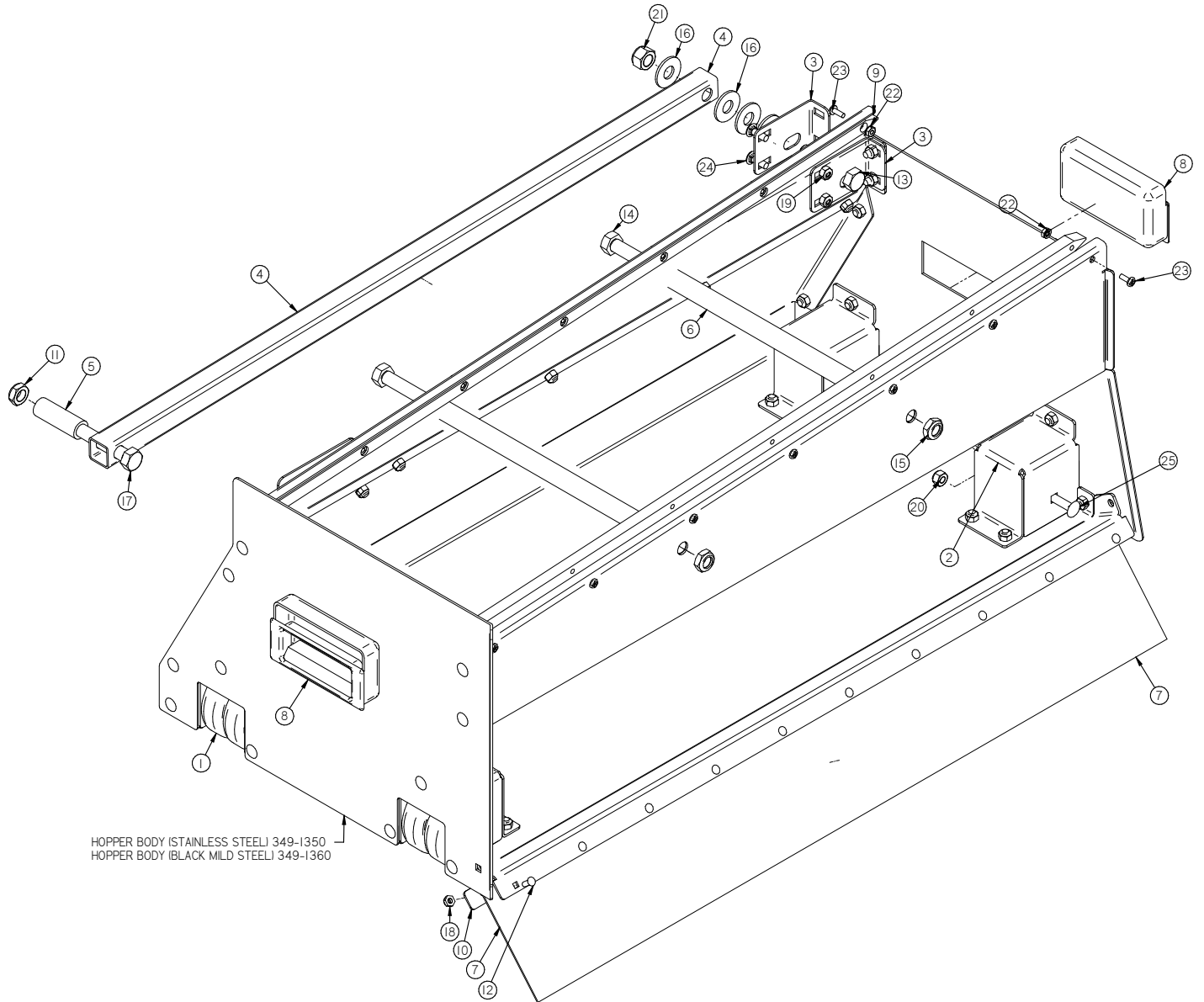
ASSEMBLY 349-4300C



ASSEMBLY 349-4160C

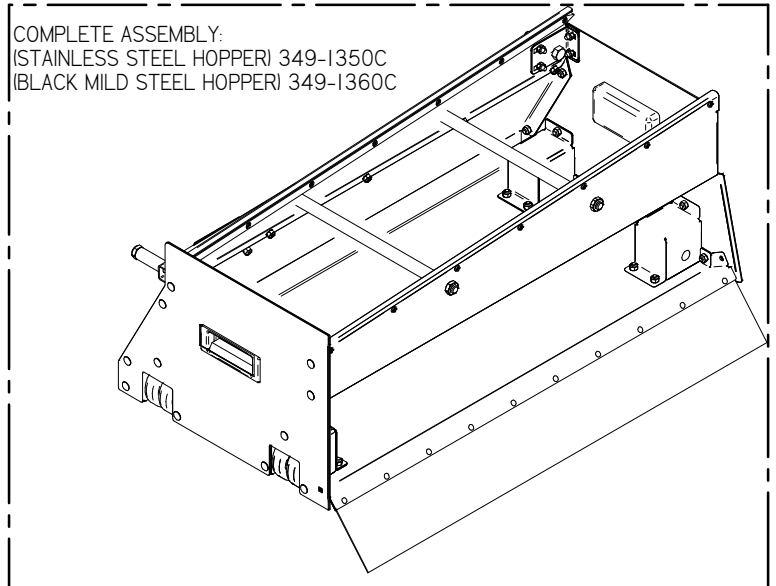
Main Broom Driver and Idler Arm

Item	Part No.	Part Description	Qty.
1*	233	SUB #233 250 FRONT WHEEL ASSEMBLY	1
2	349-1101	MAIN FRAME 12" WHEEL	1
3	349-1165	CURTAIN, REAR WALL	1
4	349-1166	ATTENUATOR CURTAIN	1
5	349-1175	CURTAIN BAND, REAR WALL	1
6	349-1176	ATTENUATOR CURTAIN BAND	1
7	349-1240	MAINBROOM SUPPORT BRACKET	1
8	349-3170	IDLER PULLEY	1
9	349-3600	REVERSE IDLER ARM	1
10	349-4100	MAIN BROOM SUSPENSION ARM	1
11	349-4105	LIFTING BRACKET	2
12	349-4140	ATTENUATOR (10")	1
13	349-4160A	MAIN BROOM LAT ARM W/BEARING	1
14	349-4200	BROOM DRIVER	1
15*	349-5711	ACTUATOR TOP FLAP	1
16	349-5712	ACTUATOR BOTTOM FLAP	1
17	349-5750	RIGHT SIDE CURTAIN	1
18	349-5760	CURTAIN BAND	2
19	349-9510	HOPPER SIDE CURTAIN	1
20	349-9515	LEFT CURTAIN BAND	1
21	4-316	BROOM DRIVE PULLEY	1
22	4-318	IDLER PULLEY	1
23	4-319	TENSION SPRING	1
24	4-366	BUSHING, IDLER ARM	1
25	4-421	SUPPORT BLOCK	1
26	4-4230	3/4" X 1" X 1/2" FLG BEARING	1
27	4-430	IDLER ARM	1
28	4-432	IDLER DRUM	1
29	4-432A	IDLER DRUM SPACER	1
30	H-00103	1/4" X 1 1/2" SPRING PIN	1
31	H-00105	3/8" X 1 1/4" SPRING PIN	2
32	H-0171004	JNYL 3/8- 24 SS	1
33	H-0172519	CB #10-32 X 5/8" SS	10
34	H-0953152	3/16" X 3/4" KEY	2
35	H-13211	HCS 1/2"-13 X 2"	1
36	H-33376	SHAFT COLLAR, 3/4" ID X 9/16 LG	1
37	H-70103	HCS 3/8"-16 X 3/4" SS	2
38	H-7042834	SHIM 1.125 ID X 1.625 OD X .030 SS	1
39	H-70858	NYLOK #10-32 SS	7
40	H-70860	NYLOK 1/4"- 20 SS	8
41	H-70861	NYLOK 5/16" - 18 SS	3
42	H-70864	NYLOK 1/2"-13 SS	1
43	H-71013	FW 1/4 ID X 5/8 OD SS	4
44	H-71017	FW 3/8 ID X 7/8 OD SS	4
45	H-71067	LW 3/8" SS	2
46	H-72683	FHP #10-32 X 5/8" SS	1
47	H-72710	FHP 1/4"- 20 X 1" SS	2
48	H-74421	CB 1/4"- 20 X 1-1/4" SS	5
49	H-74422	CB 1/4"- 20 X 1-1/2" SS	1
50	H-74429	CB 5/16"- 18 X 3/4" SS	4
51	H-74437	CB 3/8"- 16 X 1-1/4" SS	1
52	H-81983	5/16" X 1/4" KURL SET SCREW	2
53	H-98126	FW 7/8 ID X 1-3/8 OD SS	1
54	H-NJ04C	JNYL 1/4" - 20 SS	1
55	H-NJ06C	JNYL 3/8- 16 SS	1
56	M-5909K3I	NEEDLE ROLLER THRUST BEARING	1
57	M-5909K44	NEEDLE ROLLER THRUST BEARING WASHER	2

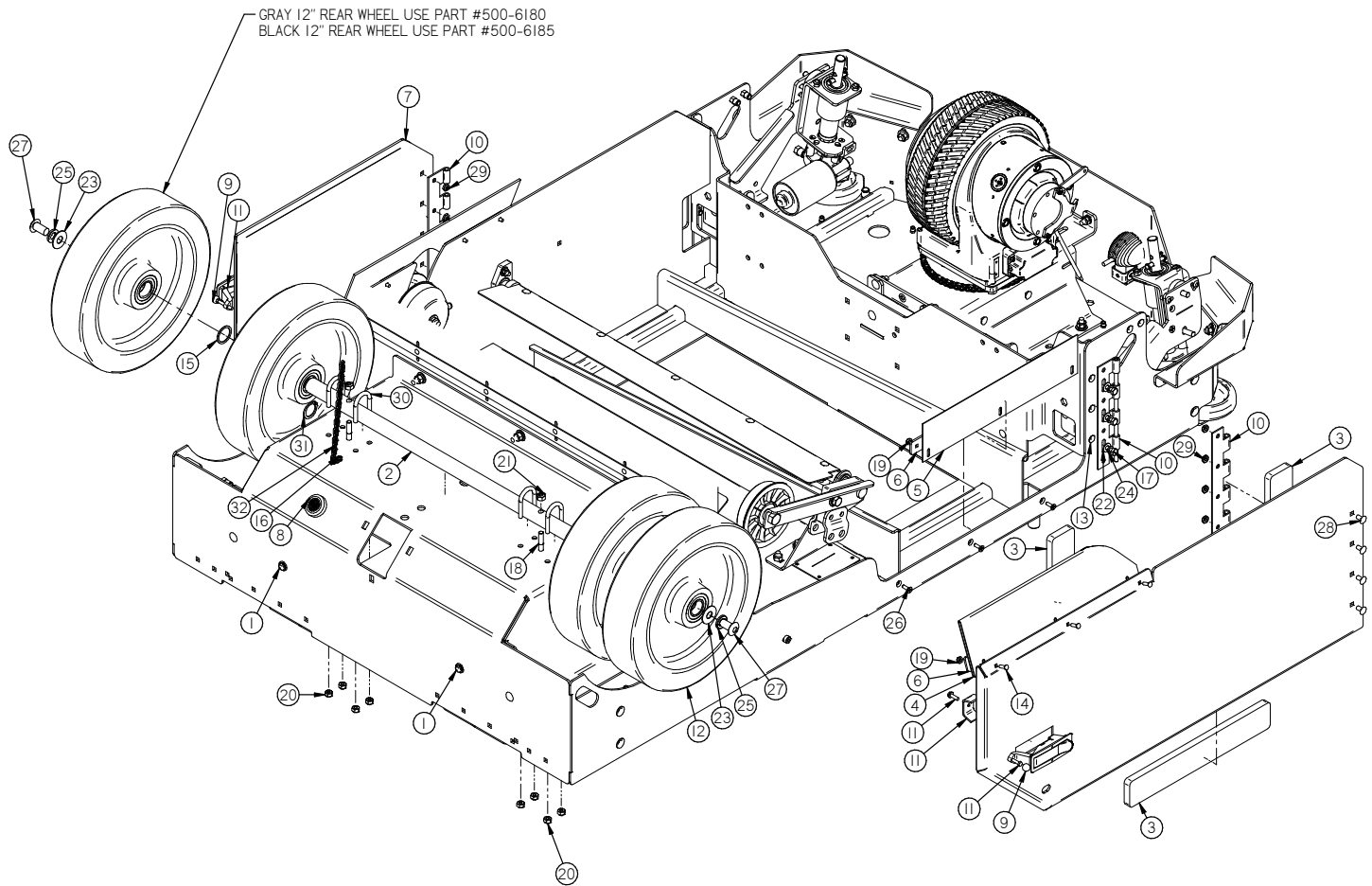


HOPPER BODY (STAINLESS STEEL) 349-1350
 HOPPER BODY (BLACK MILD STEEL) 349-1360

Item	Part No.	Part Description	Qty.
1	150-7601	3" SIDE WHEEL (GREY)	8
2	349-1264	CASTER HOUSING	4
3	349-1267	ANGLE, HANDLE REINF.	2
4	349-1280	HOPPER TOW BAR	1
5	349-1281	TOW HANDLE	1
6	349-1282	HOPPER BRACE HANDLE	2
7	349-5710	HOPPER FLAP	1
8	5-849	RECESSED HANDLE	2
9	8-163	HDPE SLIDE RAIL	2
10	8-575	HOPPER FLOOR SEAL CLAMP	1
11	H-0129159	JNYL, 1/2"-13, 18-8 SS	1
12	H-0172518	CB #10-32 X 1/2" SS	10
13	H-13213	HB 1/2" X 2 1/2"	1
14	H-15237	HCS 1/2" - 13 X 13" GRADE 8	2
15	H-37032	JNYL, 1/2"-13, NTE	2
16	H-50352	FW 17/32" SS	4
17	H-70205	HB 1/2" X 2 1/2"	1
18	H-70858	NYLOK #10-32 SS	10
19	H-70860	NYLOK 1/4" - 20 SS	2
20	H-70861	NYLOK 5/16" - 18 SS	3
21	H-70864	NYLOK 1/2"-13 SS	1
22	H-70922	KN #8-32	14
23	H-72398	PPH #8-32 X 1/2" S/S	14
24	H-74419	CB 1/4" - 20 X .75" SS	2
25	H-74435	CB 5/16" - 18 X 3.0" SS	4

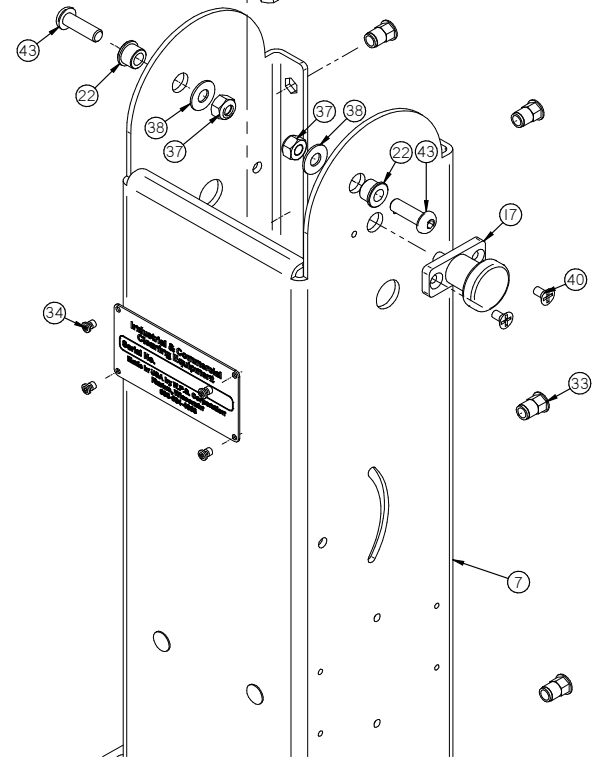
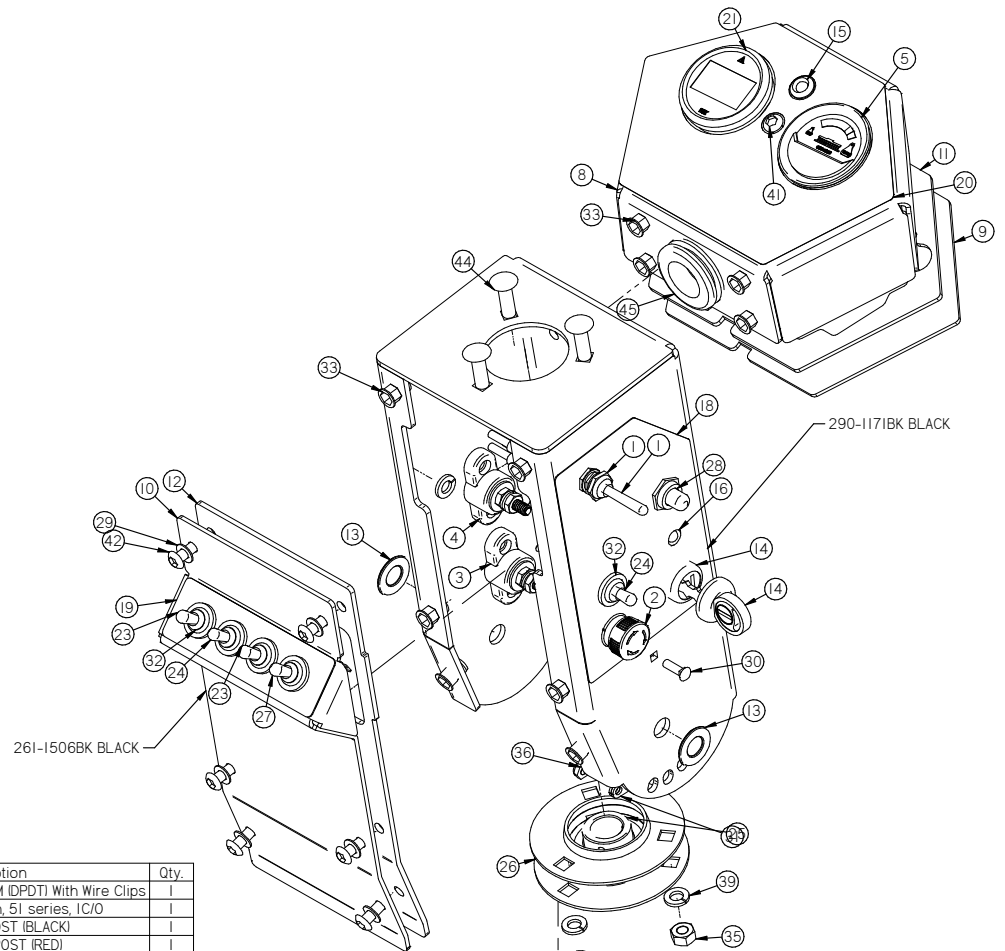


Rear Axle and Doors



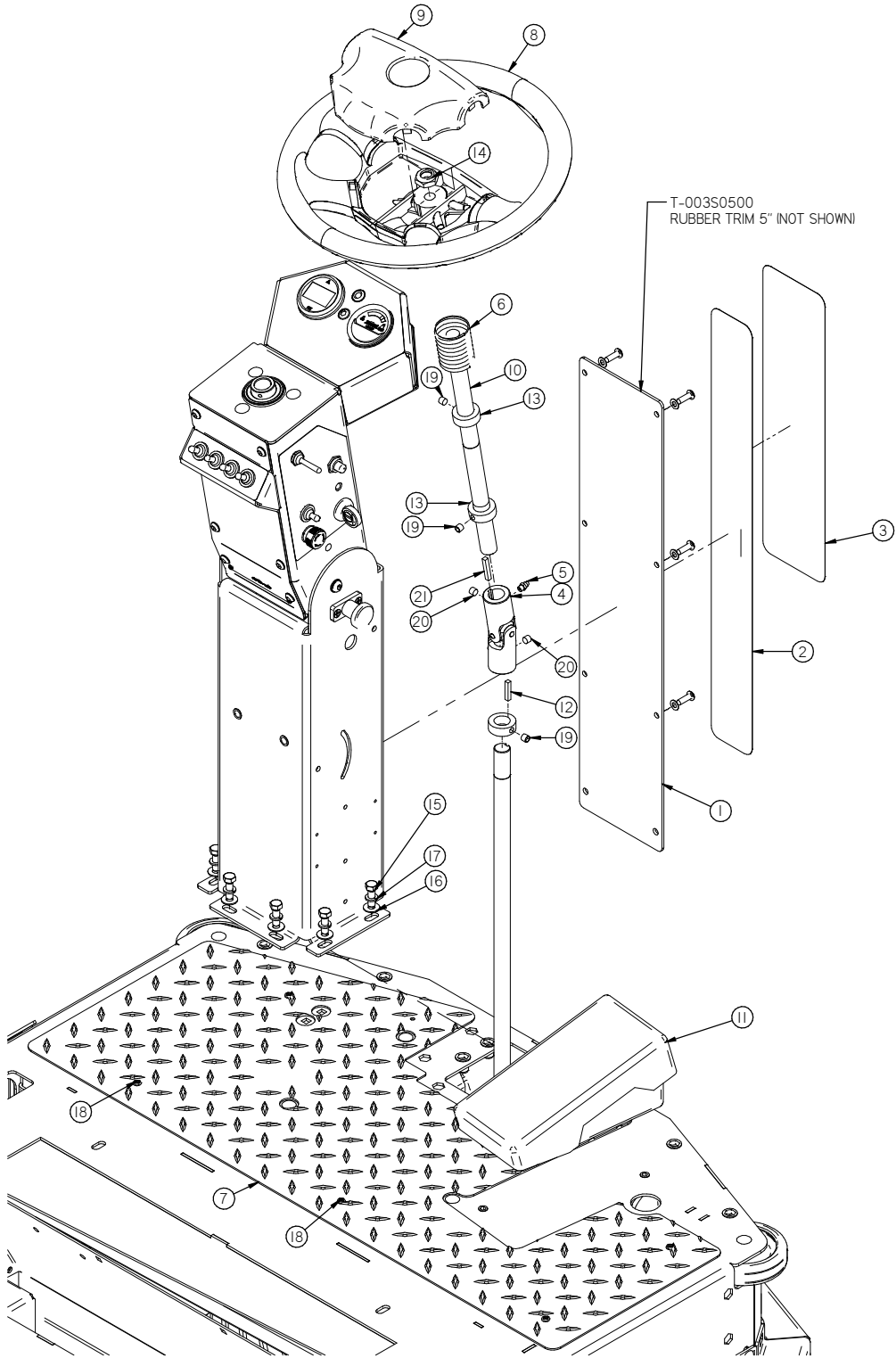
Item	Part No.	Part Description	Qty.
1	290-2310	FULL RECOVERY (RED)	2
2	349-1271	AXLE	1
3	349-7421	DOOR GASKET	3
4	349-9509	LEFT SIDE DOOR CURTAIN	1
5	349-9510	HOPPER SIDE CURTAIN	1
6	349-9515	LEFT CURTAIN BAND	2
7	349-9608	RIGHT SIDE DOOR	1
8	370-2930	ALARM (91 dPol)	1
9	5-100	GROMMET	2
10	5-122	8" SS HINGE	2
11	5-130	DOOR LATCH	2
12	500-6180G	DRIVE TIRE, GRAY POLY	4
13	H-00918	HCN 1/4"-20 LG	1
14	H-0172519	CB #10-32 X 5/8" SS	3
15	H-06596	FW 1.0" ID X 1-1/4" OD NYLON	1
16	H-31810	#10-16 X 1/2 DRILL TAP	1
17	H-70003	HCS 1/4"-20 X 3/4" SS	3
18	H-70059	HCS 5/16"- 18 X 1-1/2"	1
19	H-70858	NYLOK #10-32 SS	2
20	H-70860	NYLOK 1/4"- 20 SS	8
21	H-70861	NYLOK 5/16" - 18 SS	2
22	H-71013	FW 1/4 ID X 5/8 OD SS	3
23	H-71021	FW 1/2 ID X 1-1/4 OD SS	2
24	H-71063	LW 1/4" SS	3
25	H-71071	LW 1/2" SS	2
26	H-72683	FHP #10-32 X 5/8" SS	3
27	H-73834	BHSCS 1/2- 13 X 1" SS	2
28	H-74417	CB 1/4"- 20 X .5" SS	4
29	H-NJ04C	JNYL 1/4" - 20 SS	6
30	M-3043T13	1/4-20 X 1.0" U-BOLT	4
31	M-98585A121	1 INCH EXTERNAL RETAINING RING	1
32	T-360824S1000	10" GOLD GROUDING CHAIN	1

Military Steering tower



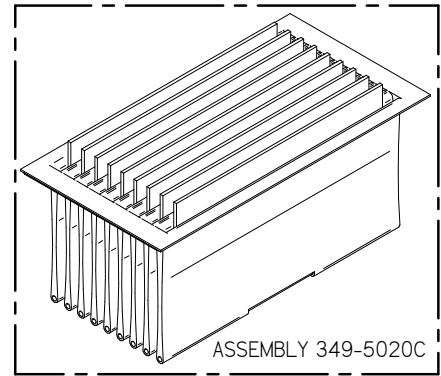
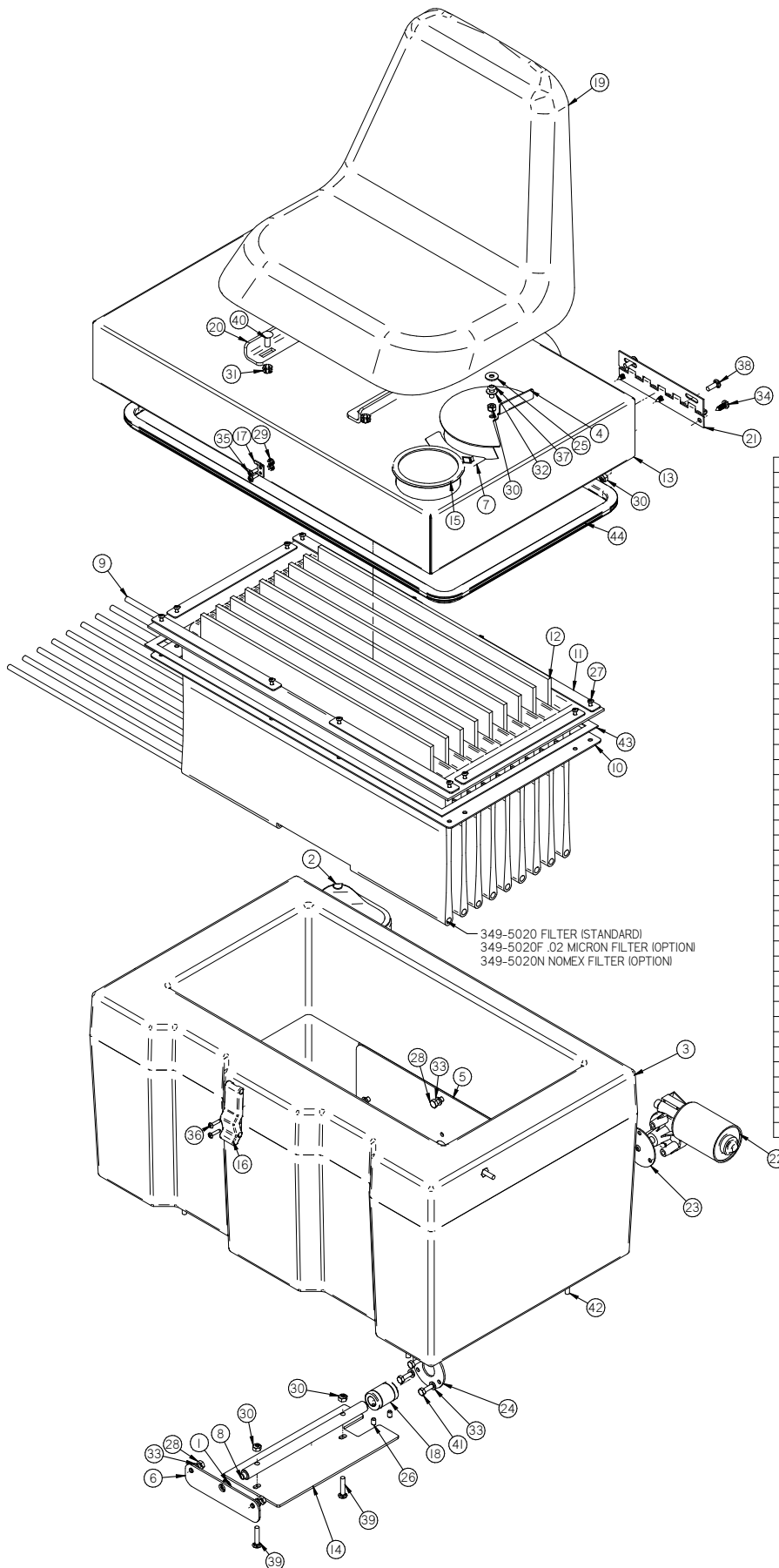
Item	Part No.	Part Description	Qty.
1	150-2830	SWITCH, TOGGLE, MOM/OFF/MOM (DPDT) With Wire Clips	1
2	175-0300	Emergency stop switch, 5I series, IC/O	1
3	175-2700	NEG INSULATOR POST (BLACK)	1
4	175-2710	POS INSULATOR POST (RED)	1
5	190-4852	BRUSH PRESSURE GAUGE, 40 AMP	1
6*	261-1501	UPPER STEERING TOWER	1
7	261-1502	STEERING TOWER	1
8	261-1504	FRONT DASH	1
9	261-1505	FRONT DASH BOTTOM TOUCH SCREEN	1
10	261-1506	COVER WITH SWITCHES	1
11	261-1507	FRONT DASH GASKET	1
12	261-4023	Front Switch Pannel Gasket	1
13	290-1247	BRONZE THRUST BEARING, 50" ID X 1.0" OD X 1/16" TH	2
14	290-234	LOCK AND KEY	1
15	290-2340	GREEN LIGHT	1
16	290-2350	YELLOW LIGHT	1
17	290-7050	INDEX PLUNGER	1
18	349-2021	TOWER DECAL	1
19	349-2021	Switch Decal	1
20	349-2021	DASH DECAL	1
21	349-4855	Gauge, Battery, iGauge	1
22	370-1245	BUSHING	2
23	370-8210	SWITCH, TOGGLE, ON/ON (DPDT)	2
24	370-8920	TOGGLE, ON-OFF SPST	2
25	4-352	BEARING	1
26	4-364A	FLANGE, 1.75" ID	2
27	7-283	SWITCH, TOGGLE, MOM/OFF/MOM (DPDT)	1
28	8-294B	PUSH BUTTON SWITCH, SILVER	1
29	H-00282	FW 1/4" NYLON	6
30	H-0172519	CB #10-32 X 5/8" SS	1
31	H-02239	3/8" NYLON LOOP CLAMP	1
32	H-11300	PROTECTIVE BOOT, TOGGLE SWITCH, (BLACK)	5
33	H-250HCN	HCN 1/4"-20	16
34	H-41007	AB4-3A BLIND RIVET ALUMINUM	4
35	H-70711	HN 5/16" - 18 SS	2
36	H-70858	NYLOK #10-32 SS	1
37	H-70861	NYLOK 5/16" - 18 SS	2
38	H-71015	FW 5/16 ID X 3/4 OD SS	2
39	H-71065	LW 5/16" SS	3
40	H-72681	FHP #10-32 X 3/8" SS	2
41	H-73751	BHSCS 1/4 - 20 X 3/8" SS	1
42	H-73754	BHSCS 1/4 - 20 X 3/4" SS	6
43	H-73780	BHSCS 5/16-18 X 1	2
44	H-74430	CB 5/16"- 18 X 1" SS	3
45	H-9307K74	GROMMET, 1" ID X 1-3/4" OD BUNA-N	1
46*	M-93620A199	1/4-20 2.0in Female-Male Standoff	1

Steering tower and foot pedal



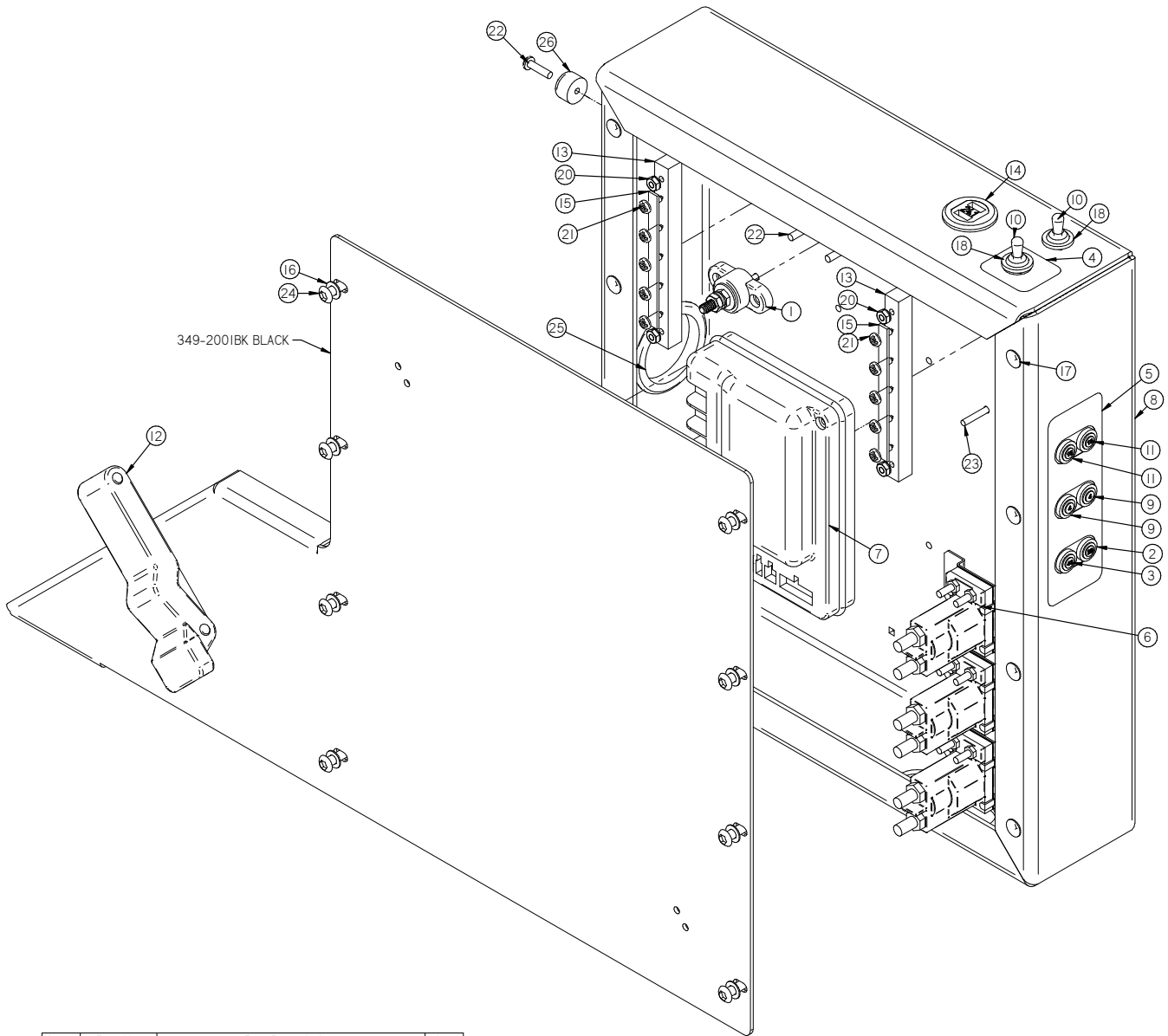
Item	Part No.	Part Description	Qty.	Item	Part No.	Part Description	Qty.
1	261-1509	STEERING TOWER FRONT PANNEL	1	11	8-290	FOOT PEDAL	1
2	261-1523	TIMBERLINE STICKER	1	12	H-01125	3/16" X 1" KEY	1
3	261-1524	KODIAK STICKER	1	13	H-33376	SHAFT COLLAR, 3/4" ID X 9/16 LG	3
4	290-7110	U-JOINT	1	14	H-37038	JNYL 5/8" - 11	1
5	290-7111	1/4-28 ZERK FITTING	1	15	H-70055	HCS 5/16"- 18 X 1" SS	2
6	349-0101	STEERING SHAFT COVER	1	16	H-71015	FW 5/16 ID X 3/4 OD SS	2
7	349-1609	NON SKID FLOOR PLATE (3RD BRAND)	1	17	H-71065	LW 5/16" SS	1
8	650-7030	STEERING WHEEL	1	18	H-72534	PPH #10-32 X 3/4" S/S	2
9	650-7031	STEERING WHEEL COVER	1	19	H-81983	5/16" X 1/4" KURL SET SCREW	3
10	650-7090	STEERING SHAFT, UPPER	1	20	H-82022	5/16-24" X 1/4" KURL SET SCREW	3

Filter Box and Seat



Item	Part No.	Part Description	Qty.
1	290-1233	3/8" ID, 1/2" OD, 1/4" LG BEARING	2
2	349-1124	TR SOLUTION FILL CURTIAN	1
3	349-1402	FILTER BOX	1
4	349-1405	FILTER CHAMBER VENT LID	1
5	349-1408	SHAKER MOTOR MOUNT	1
6	349-1409	SHAKER PANEL	1
7	349-2021	DASH DECAL	1
8	349-4451	FILTER SHAKER SHAFT	1
9	349-5030	FILTER WEIGHT ROD	9
10	349-5050	FILTER FRAME	1
11	349-5051	FILTER BAND	6
12	349-5210	FILTER SEPARATOR	9
13	349-9527	FILTER HOOD	1
14	349-9550	FILTER BEATER BAR PLATE	1
15	370-0014	CUP HOLDER	1
16	4-124	LATCH	1
17	4-124	CLIP, LATCH	1
18	4-444	BROOM SAFETY DRIVE CPLG	1
19	500-1390	SEAT	1
20	600-1431	SEAT MOUNTING RAIL	2
21	8-180	HINGE, 6-7/8" S/S	1
22	8-221	24 VOLT/100 RPM MOTOR	1
23	8-222	MOTOR GASKET	1
24	8-223	GASKET BACKING PLATE	1
25	H-02739	FW, 17/32" ID X 3/4" OD X 1/16" TH, TEFLON	1
26	H-25381	1/4"-20 X 3/8" KURL, SET SCREW	2
27	H-31810	#10-16 X 1/2 DRILL TAP	12
28	H-70003	HCS 1/4"-20 X 3/4" SS	4
29	H-70856	NYLOK #8-32 SS	2
30	H-70860	NYLOK 1/4" - 20 SS	7
31	H-70861	NYLOK 5/16" - 18 SS	2
32	H-71013	FW 1/4 ID X 5/8 OD SS	4
33	H-71063	LW 1/4" SS	7
34	H-71893	1/4 X 3/4 SELF TAPPING SCREW	6
35	H-72398	PPH #8-32 X 1/2" S/S	2
36	H-72916	PPH SMS #8 X 3/4" SS	2
37	H-73753	BHSCS 1/4 - 20 X 5/8" SS	1
38	H-74419	CB 1/4" - 20 X .75" SS	4
39	H-74421	CB 1/4" - 20 X 1-1/4" SS	2
40	H-74429	CB 5/16" - 18 X 3/4" SS	1
41	H-M82550	HCS M6-1.0 X 20 SS	3
42	M-95412A544	STUD 1/4-20 X 1-1/4" SS	5
43	T-00257600	1/2" DBL SIDED TAPE	1
44	T-1233S7750	PUSH-ON RUBBER GASKET	1

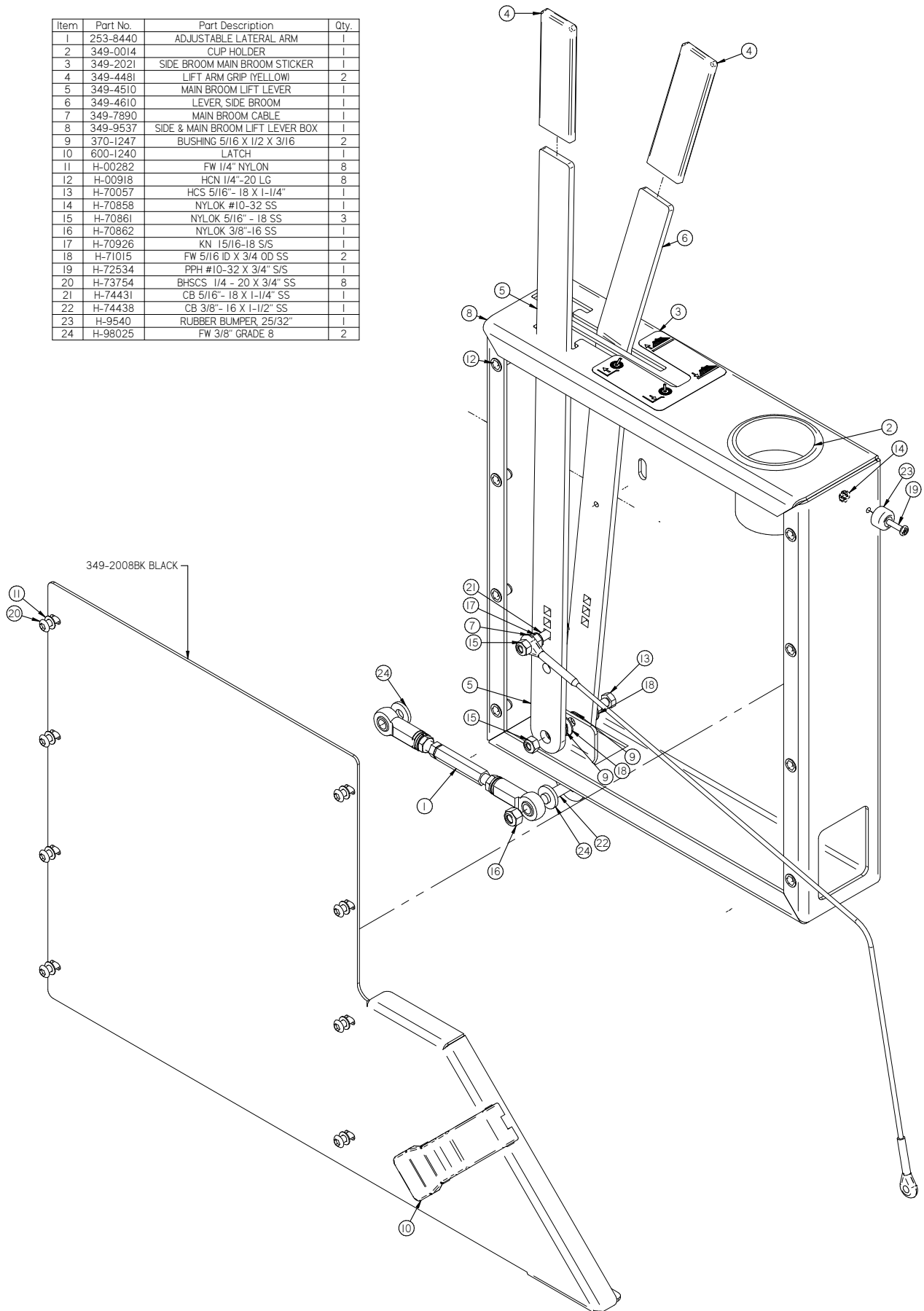
349-5020 FILTER (STANDARD)
 349-5020F .02 MICRON FILTER (OPTION)
 349-5020N NOMEK FILTER (OPTION)



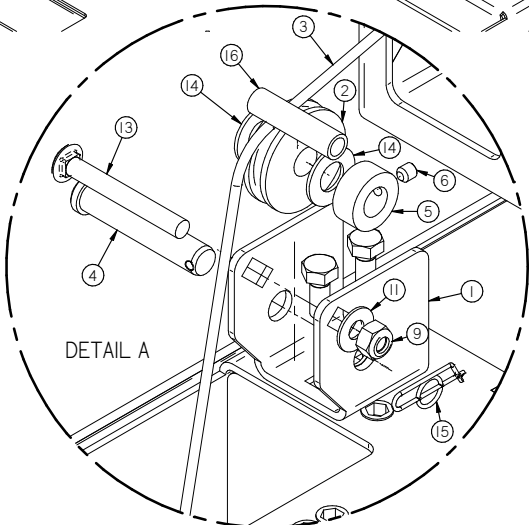
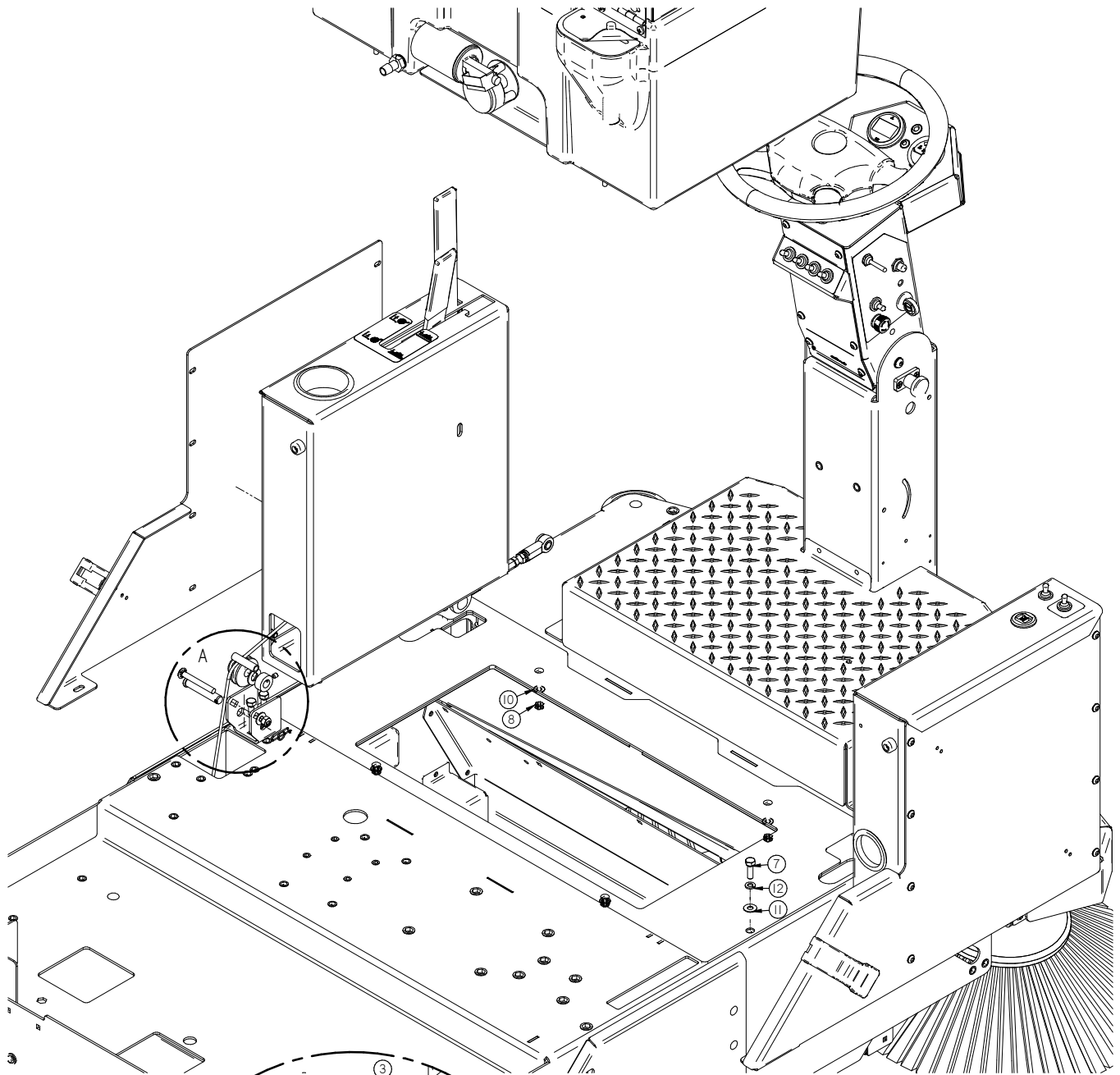
Item	Part No.	Part Description	Qty.
1	175-2710	POS INSULATOR POST (RED)	1
2	190-8370	FUSE RESETTABLE, 25 AMP	1
3	190-9609	FUSE, RESETTABLE, 40 AMP	1
4	349-2021	VAC STICKER	1
5	349-2021	MILITARY CB STICKER	1
6	349-2331	RELAY, 24V, SMALL, W/FLAT MTG PLATE	3
7	349-2900	IDRIVE 24V 180 AMP CONTROLLER	1
8	349-9535	CENTRAL COMMAND	1
9	349-9604	FUSE, RESETTABLE, 4 AMP, 50V DC MAX	2
10	370-8210	SWITCH, TOGGLE, ON/ON (DPDT)	2
11	390-9615	FUSE, RESETTABLE, 15 AMP, 50V DC MAX	2
12	600-1240	LATCH	1
13	7-287	BUSS BAR UHMW	2
14	700-2590	DUAL USB PORTS	1
15	E-5HBB	5 HOLE BUSS BAR	2
16	H-00282	FW 1/4" NYLON	8
17	H-00918	HCN 1/4"-20 LG	8
18	H-11300	PROTECTIVE BOOT, TOGGLE SWITCH, (BLACK)	2
19	H-70858	NYLOK #10-32 SS	1
20	H-70922	KN #8-32	4
21	H-72398	PPH #8-32 X 1/2" S/S	10
22	H-72534	PPH #10-32 X 3/4" S/S	3
23	H-72645	FHP #8-32 X 1.0"	4
24	H-73754	BHSCS 1/4 - 20 X 3/4" SS	8
25	H-9307K99	GROMMET, 2" ID X 2-5/8" OD	1
26	H-9540	RUBBER BUMPER, 25/32"	1

Military Main broom/Side broom lift box

Item	Part No.	Part Description	Qty.
1	253-8440	ADJUSTABLE LATERAL ARM	1
2	349-0014	CUP HOLDER	1
3	349-2021	SIDE BROOM MAIN BROOM STICKER	1
4	349-4481	LIFT ARM GRIP (YELLOW)	2
5	349-4510	MAIN BROOM LIFT LEVER	1
6	349-4610	LEVER, SIDE BROOM	1
7	349-7890	MAIN BROOM CABLE	1
8	349-9537	SIDE & MAIN BROOM LIFT LEVER BOX	1
9	370-1247	BUSHING 5/16 X 1/2 X 3/16	2
10	600-1240	LATCH	1
11	H-00282	FW 1/4" NYLON	8
12	H-00918	HCN 1/4"-20 LG	8
13	H-70057	HCS 5/16" - 18 X 1-1/4"	1
14	H-70858	NYLOK #10-32 SS	1
15	H-70861	NYLOK 5/16" - 18 SS	3
16	H-70862	NYLOK 3/8"-16 SS	1
17	H-70926	KN 15/16-18 S/S	1
18	H-71015	FW 5/16 ID X 3/4 OD SS	2
19	H-72534	PPH #10-32 X 3/4" S/S	1
20	H-73754	BHSCS 1/4 - 20 X 3/4" SS	8
21	H-74431	CB 5/16" - 18 X 1-1/4" SS	1
22	H-74438	CB 3/8" - 16 X 1-1/2" SS	1
23	H-9540	RUBBER BUMPER, 25/32"	1
24	H-98025	FW 3/8" GRADE 8	2

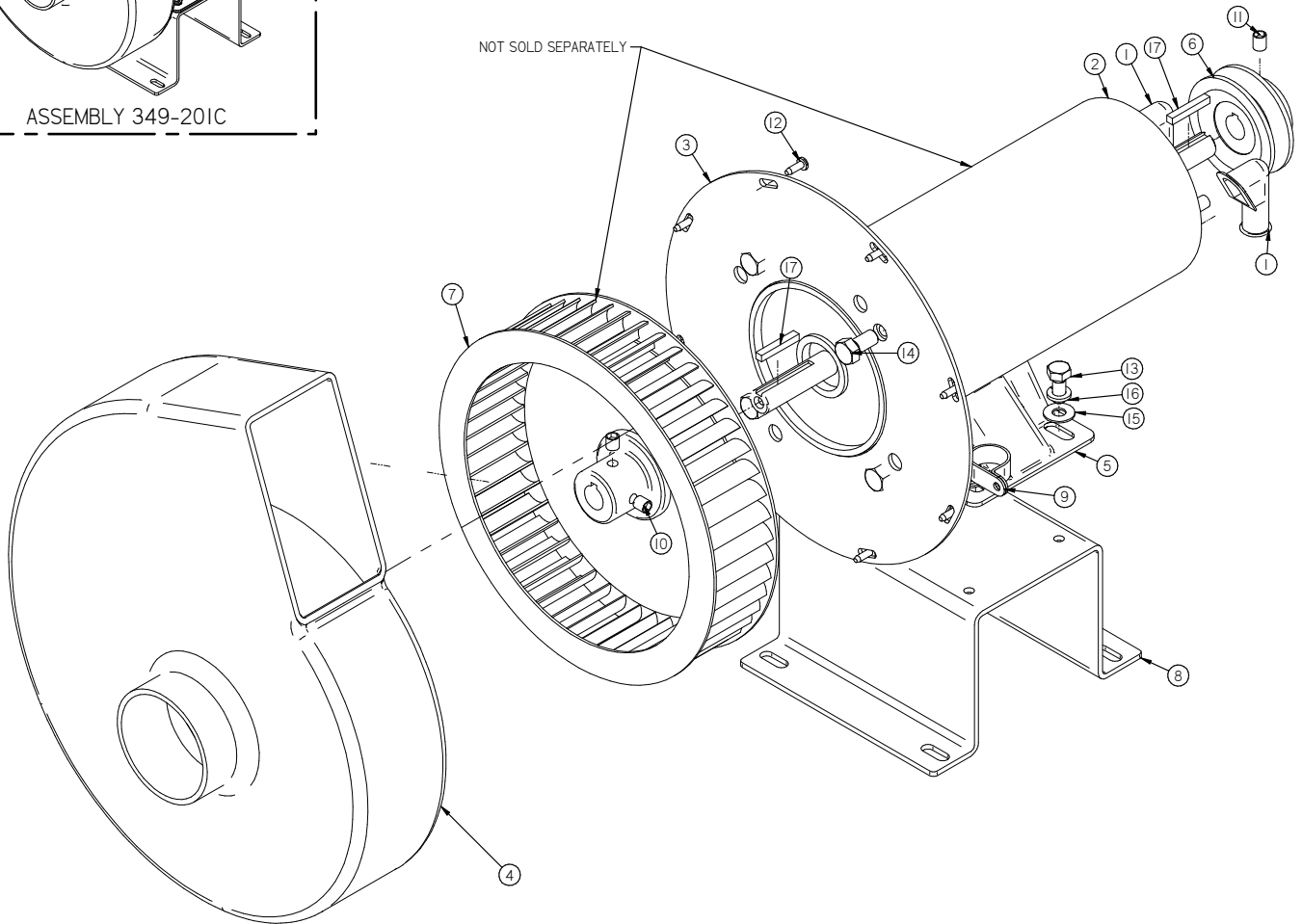
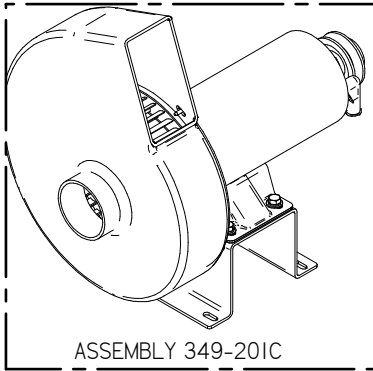


Filter Box and Panels



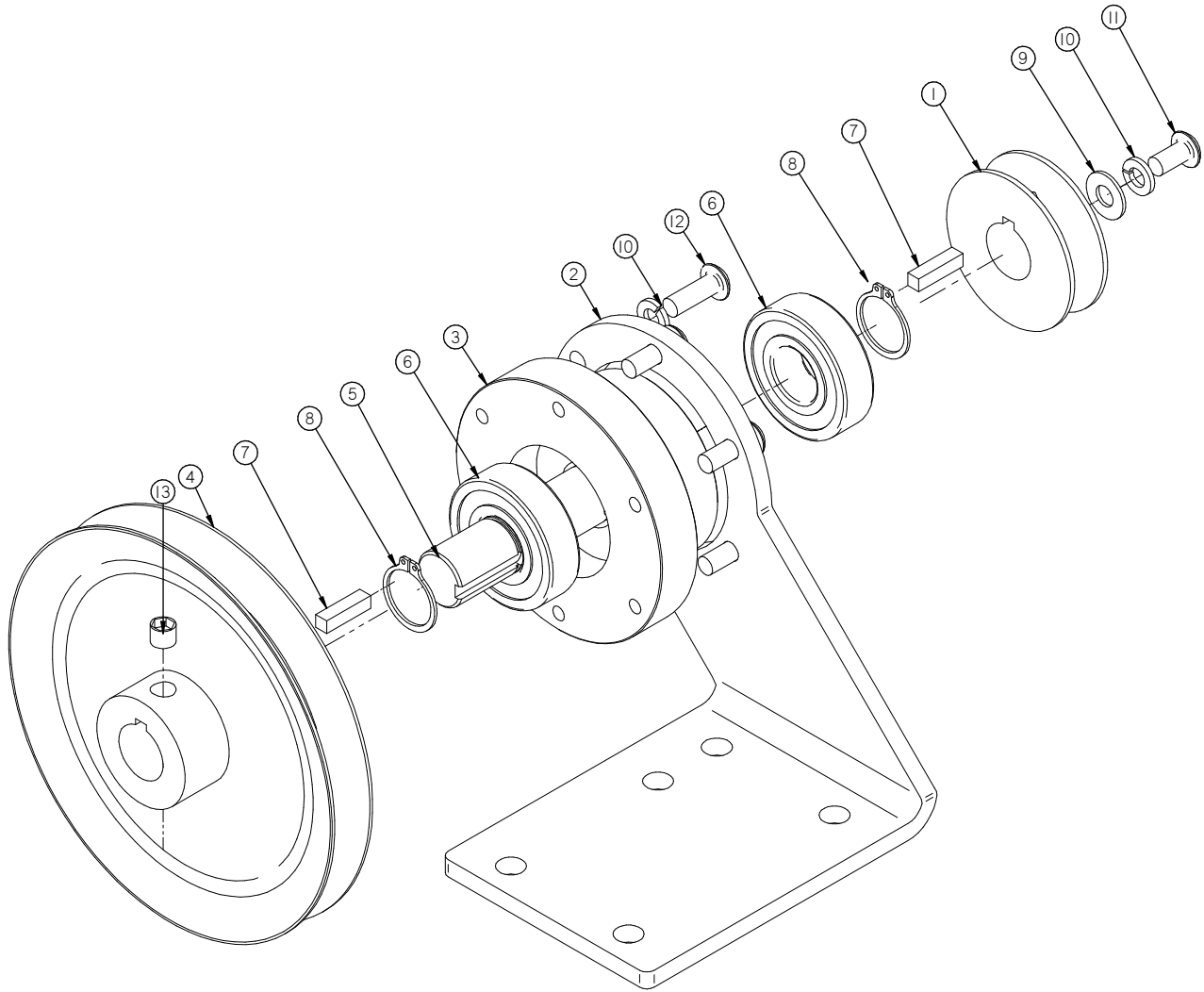
Item	Part No.	Part Description	Qty.
1	349-1139	MAINBROOM PULLEY BRACKET	1
2	349-7721	PULLEY, NYLON	1
3	349-7890	MAIN BROOM CABLE	1
4	H-0156773	CLEVIS PIN, 1/2" X 2-1/2"	1
5	H-03660	1/2" ID X 7/16" LG SETSCREW SHAFT COLLAR	1
6	H-25379	SETSCREW, KCP, 1/4"-20 X 1/4"	1
7	H-70055	HCS 5/16" - 18 X 1" SS	7
8	H-70860	NYLOK 1/4" - 20 SS	6
9	H-70861	NYLOK 5/16" - 18 SS	5
10	H-71013	FW 1/4 ID X 5/8 OD SS	6
11	H-71015	FW 5/16 ID X 3/4 OD SS	12
12	H-71065	LW 5/16" SS	7
13	H-74434	CB 5/16" - 18 X 2.5" SS	1
14	H-76065	FW 1/2" NYLON	3
15	H-RUE22	1/2" RJE RING COTTER	1
16	T-031B0175	CABLE GUIDE	1

Main Broom Motor

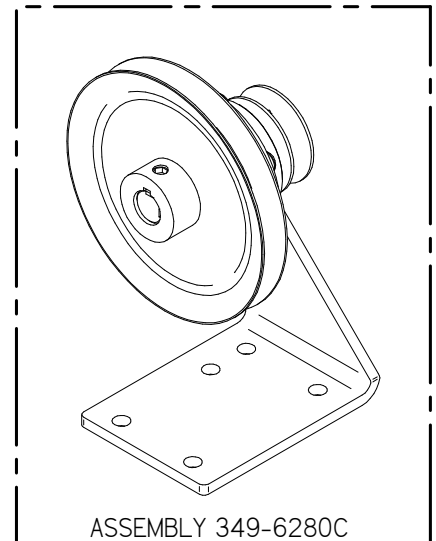


Item	Part No.	Part Description	Qty.
1	290-2780	TERMINAL BOOT, BLACK	2
2	349-201	24V 2000 RPM,TWIN SHAFT MOTOR	1
3	349-5108	BLOWER FACE	1
4	349-5112	FAN HOUSING	1
5	4-201B	MOTOR CRADLE	1
6	4-301	MAIN DRIVE PULLEY	1
7	4-512	BLOWER WHEEL	1
8	8-165	MOTOR SUPPORT BRACKET	1
9	H-0127296	LOOP CLAMP, 1.0"	1
10	H-25484	5/16" X 5/16" KURL SET SCREW	2
11	H-25485	5/16" X 3/8" KURL SET SCREW	1
12	H-31810	#10-16 X 1/2 DRILL TAP	8
13	H-70053	HCS 5/16"- 18 X 3/4" SS	2
14	H-70103	HCS 3/8"-16 X 3/4" SS	4
15	H-71015	FW 5/16 ID X 3/4 OD SS	2
16	H-71065	LW 5/16" SS	2
17	H-K14320	3/16" X 1 1/4" KEY	2

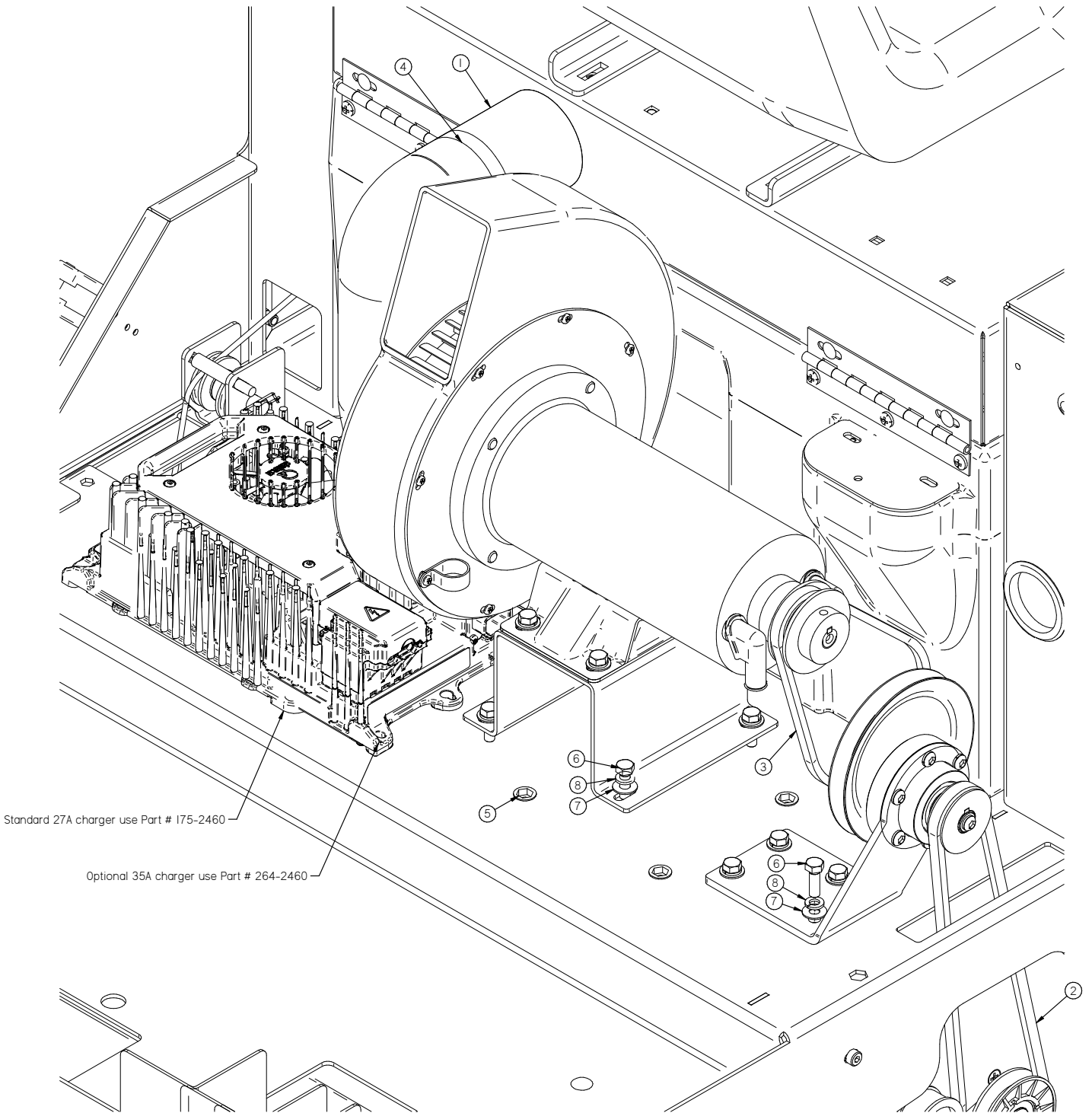
Jack shaft



Item	Part No.	Part Description	Qty.
1	349-3200	BROOM DRIVE PULLEY	1
2	349-6280	JACKSHAFT PLATE	1
3	349-6281	JACKSHAFT COLLAR	1
4	4-312	TRANS INPUT PULLEY	1
5	8-641	JACKSHAFT SHAFT	1
6	8-723B	1-3/4 X 3/4" ROLLER BEARING	2
7	H-0953152	3/16" X 3/4" KEY	2
8	H-68015	SNAPRING 3/4"	2
9	H-71013	FW 1/4 ID X 5/8 OD SS	1
10	H-71063	LW 1/4" SS	7
11	H-73752	BHSCS 1/4 - 20 X 1/2" SS	1
12	H-73754	BHSCS 1/4 - 20 X 3/4" SS	6
13	H-81983	5/16" X 1/4" KURL SET SCREW	1

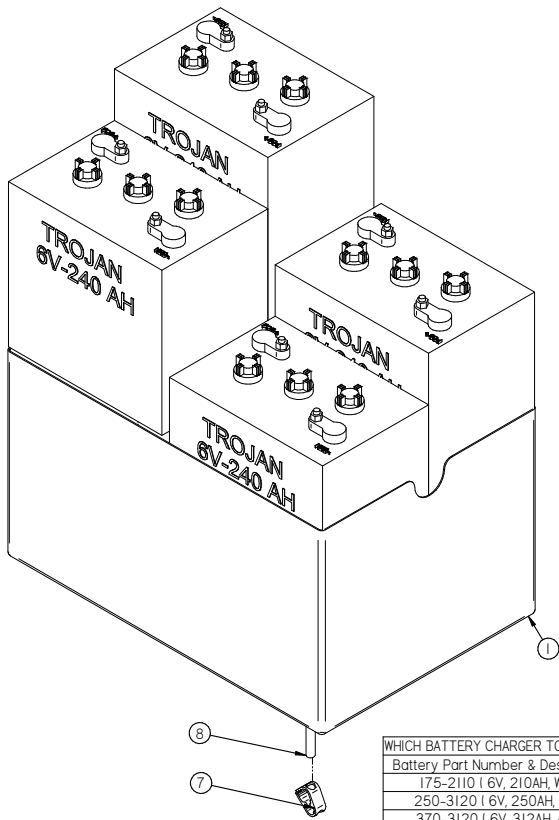


Main Broom motor, Jack Shaft and On board Charger

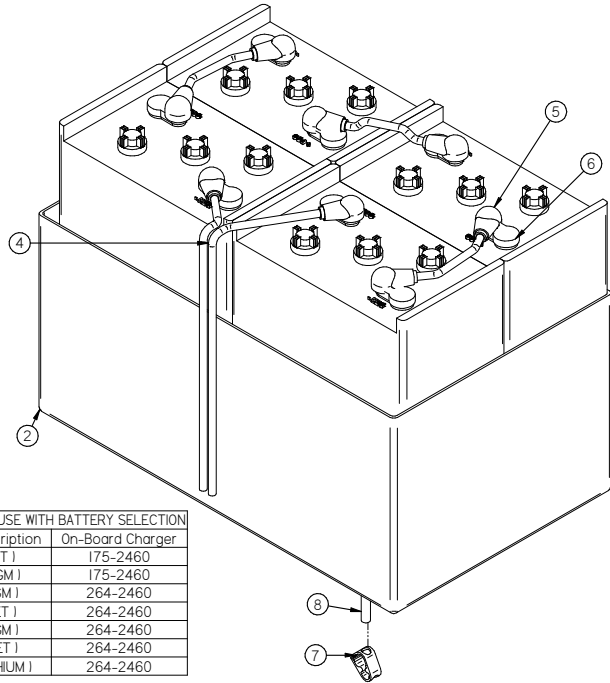


Item	Part No.	Part Description	Qty.
1	349-0020	3 INCH ID X 20 INCH LG. VAC HOSE	1
2	349-3020	MAIN BROOM BELT	1
3	8-301	MOTOR TO JACK SHAFT BELT	1
4	H-0427619	CLAMP 2" - 3"	1
5	H-312NCNL	HCN 5/16"-18 LG	1
6	H-70055	HCS 5/16" - 18 X 1" SS	8
7	H-71015	FW 5/16 ID X 3/4 OD SS	8
8	H-71065	LW 5/16" SS	8

Batteries

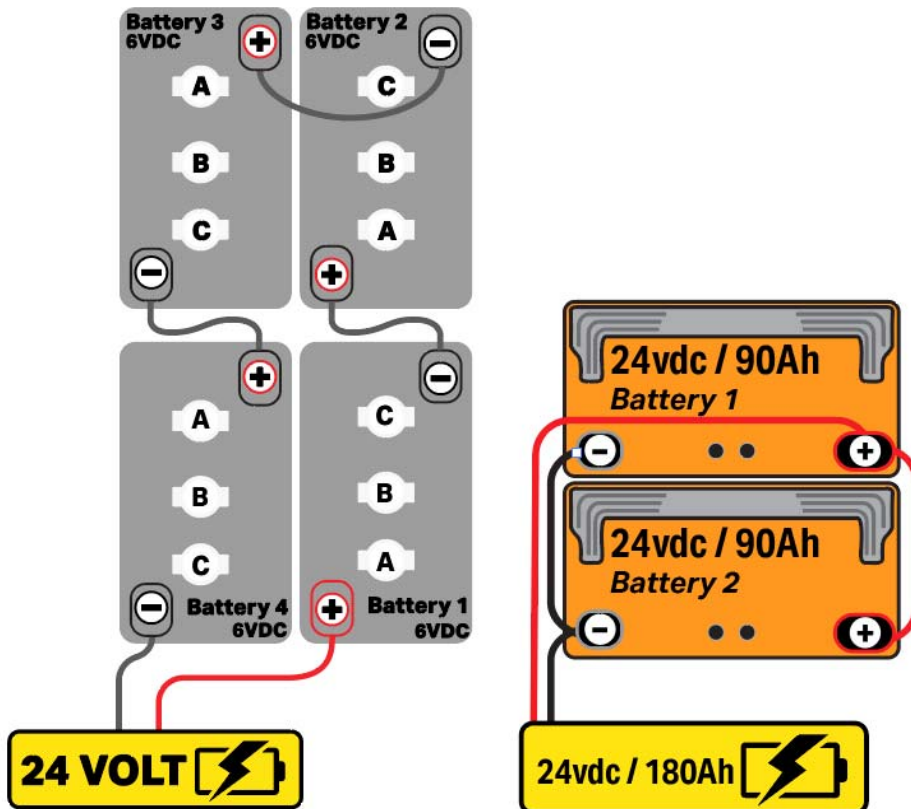


Item	Part No.	Part Description	Qty.
1	175-0000	BATTERY TRAY	1
2	253-1480	MAGNUM SERIES BATTERY TRAY	1
3	260-	M-24V80-TRX	3
4	349-1900	WIRE HARNESS, COMPLETE	1
5	H-40031	BATTERY BOOT	8
6	H-400317	TERMINAL COVER	8
7	M-5031K12	CLAMP STYLE PINCH VALVE	1
8	T-031B1200	BLACK DRAIN HOSE	1

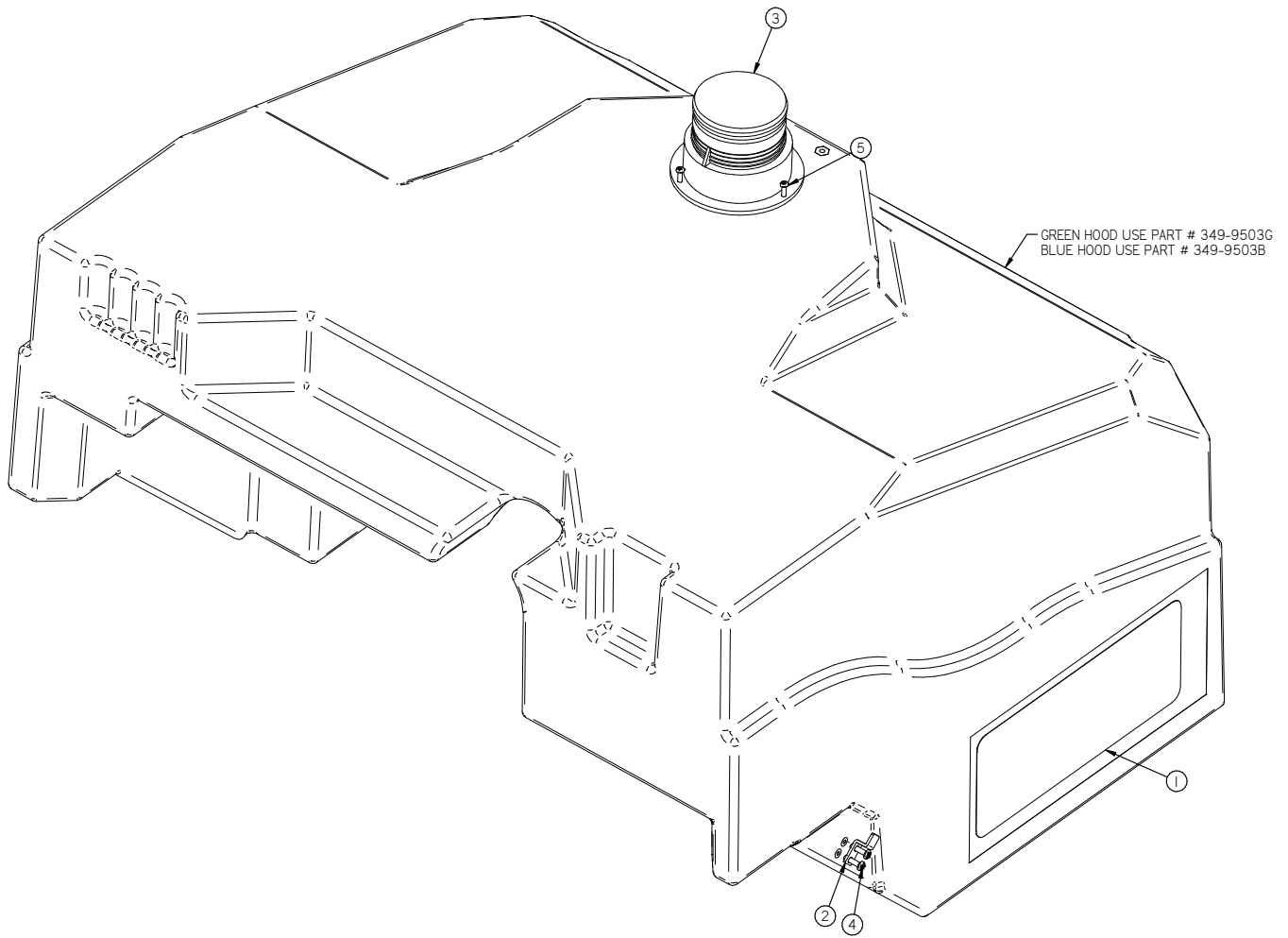


WHICH BATTERY CHARGER TO USE WITH BATTERY SELECTION

Battery Part Number & Description	On-Board Charger
175-2110 (6V, 210AH, WET)	175-2460
250-3120 (6V, 250AH, AGM)	175-2460
370-3120 (6V, 312AH, AGM)	264-2460
370-2117 (6V, 315AH, WET)	264-2460
370-3121 (6V, 400AH, AGM)	264-2460
370-2118 (6V, 420AH, WET)	264-2460
260-3210 (24V, 80AH, LITHIUM)	264-2460

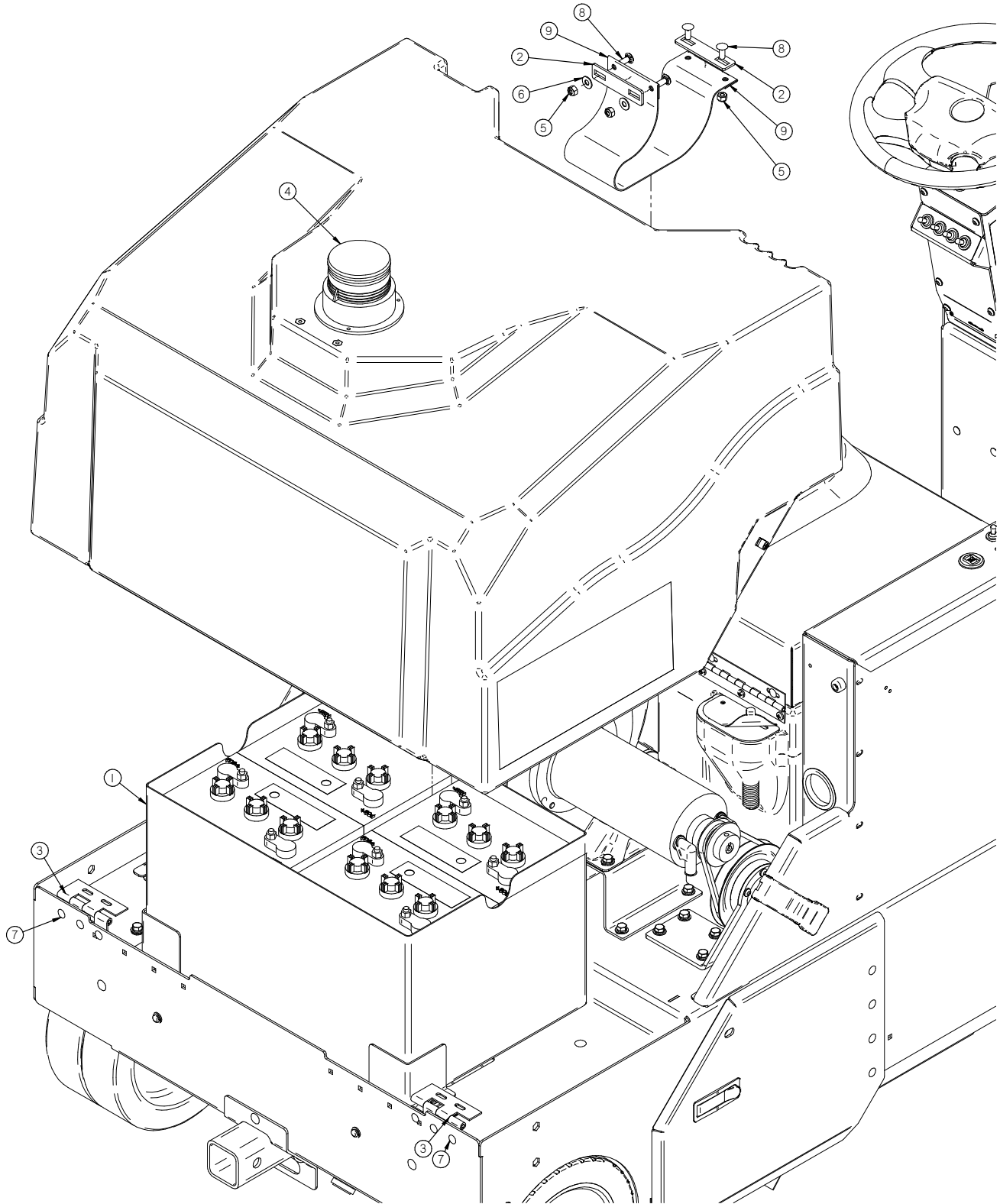


Rear Hood Vac Box

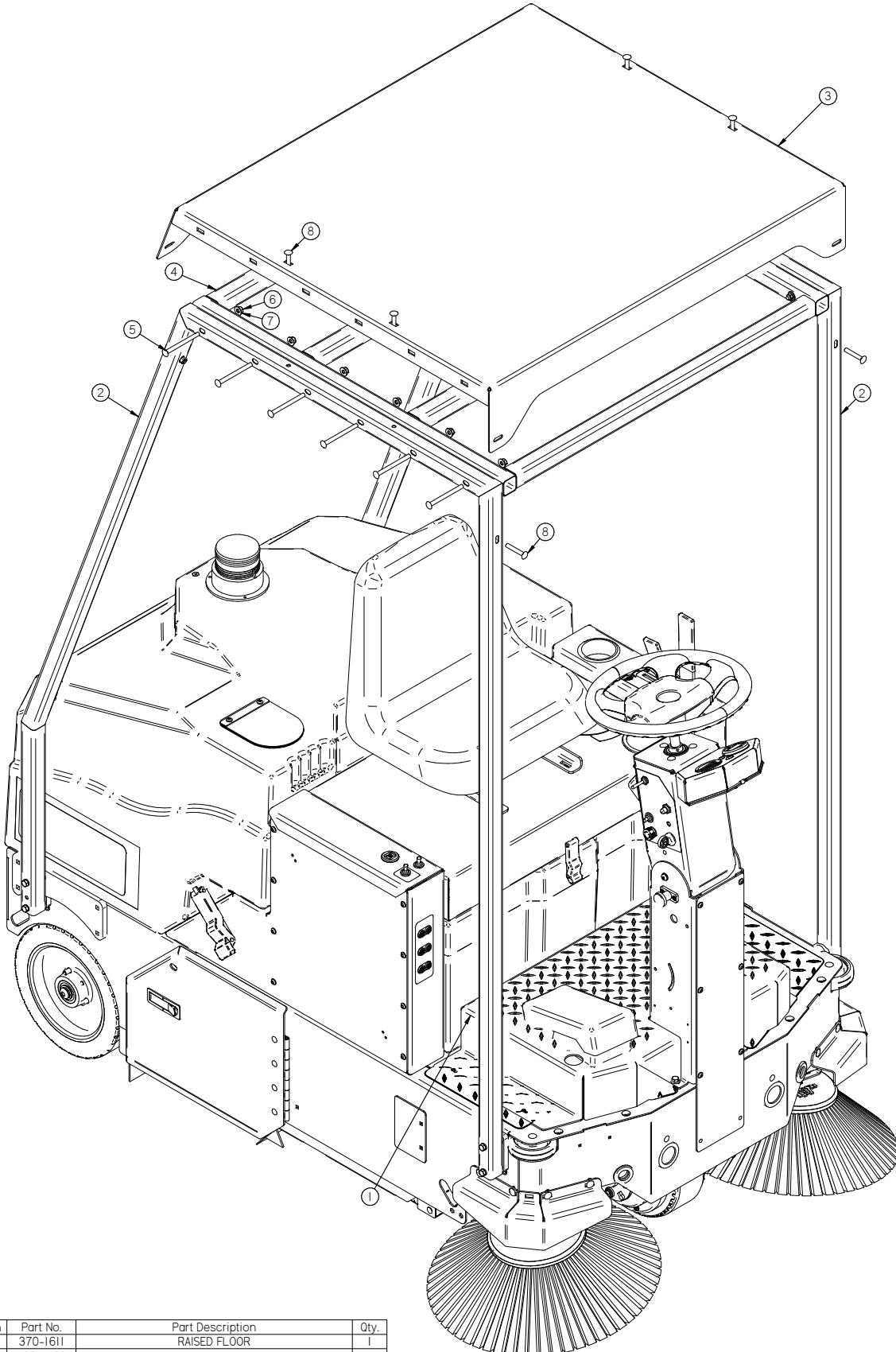


Item	Part No.	Part Description	Qty.
1	349-3007	MODEL # DECAL	2
2	600-1240	600-1240 clip.psm	2
3	8-293	STROBE LIGHT	1
4	H-72534	PPH #10-32 X 3/4" S/S	4
5	H-72916	PPH SMS #8 X 3/4" SS	3

Rear hood and Batteries



Item	Part No.	Part Description	Qty.
1	175-0000	BATTERY TRAY	1
2	253-1040	TANK STRAP SUPPORT	2
3	600-1220	4" SS HINGE	2
4	8-293	STROBE LIGHT	1
5	H-70861	NYLOK 5/16" - 18 SS	3
6	H-71015	FW 5/16 ID X 3/4 OD SS	5
7	H-74418	CB 1/4"- 20 X 5/8" S/S	6
8	H-74429	CB 5/16"- 18 X 3/4" SS	6
9	T-39072653900	HOOD STRAP, 39" LG X 4" WIDE	1



Item	Part No.	Part Description	Qty.
1	370-1611	RAISED FLOOR	1
2	700-1700	OVER-HEAD GUARD LEG	2
3	700-1701	XR OVER-HEAD GUARD ROOF	1
4	700-1702	FOPS UNDER FRAMING	1
5	H-0144269	CB 5/16"- 18 X 3.75" SS	7
6	H-70861	NYLOK 5/16" - 18 SS	2
7	H-71015	FW 5/16 ID X 3/4 OD SS	1
8	H-74433	CB 5/16"- 18 X 2" SS	7

Common Wear Parts

CYLINDRICAL BROOMS:

BROOM TYPE	PART #S
Poly	8-401
Nylon	8-401N
Carpet Broom	8-401NN
Poly & Steel	8-401S
Union	8-401U
Union & Steel	8-401US

SIDE BROOMS:

SIDE BROOM TYPE	PART#S
Poly	4-402
Poly & Steel	4-402S

FILTER KITS:

FILTER TYPE	PART#S
Standard Filter Assembly <small>(Includes Tape Seal Kit, Grill, and Filter)</small>	349-5020
Standard Filter Kit <small>(Includes Tape Seal Kit and Filter)</small>	349-5020D
1 Micron Filter	349-5020
0.2 Micron Filter	349-5020F
Nomex Filter	349-5020N
Filter Tape Seal Kit	349-5020K

SEAL KITS:

SEAL KIT	PART#S
Neoprene Seal Set	349-5700
Urethane Seal Set	349-5700U

BLANK

THIS PAGE WAS INTENTIONALLY LEFT BLANK

BLANK
THIS PAGE WAS INTENTIONALLY LEFT BLANK

